



PARTS CATALOG

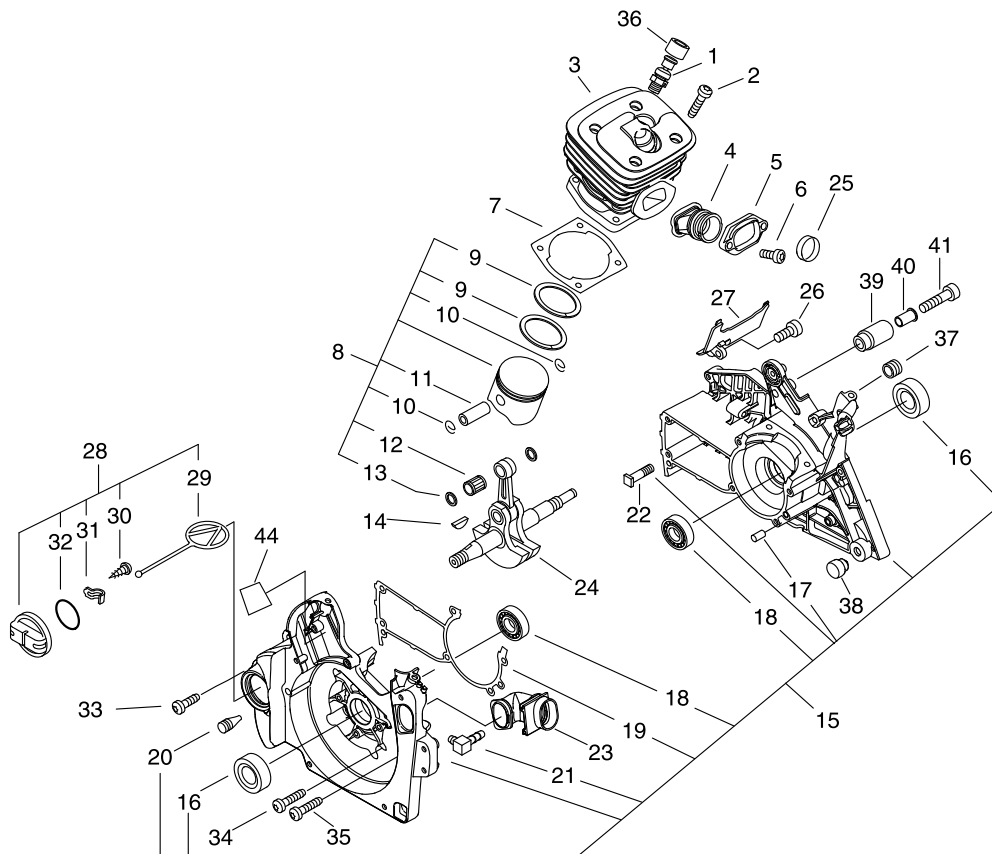
CHAIN SAW CS-620SX(36)

36000001 -



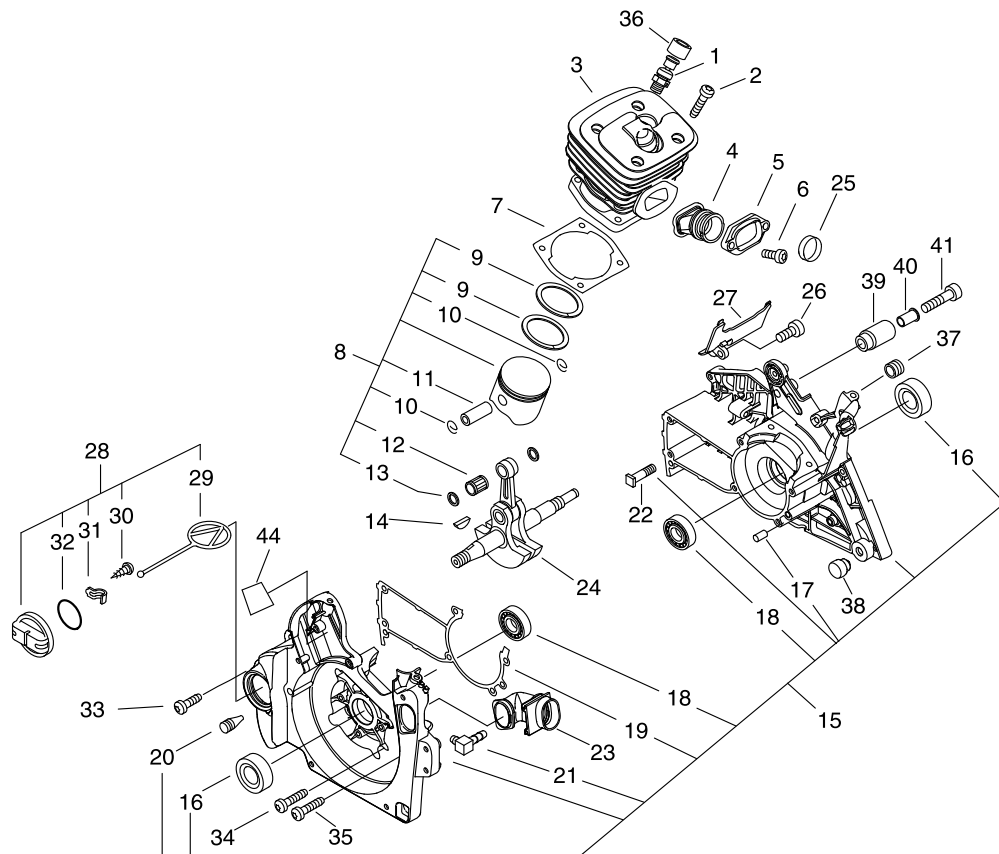
P014-003420-131b

1. CYLINDER, CRANKCASE, PISTON



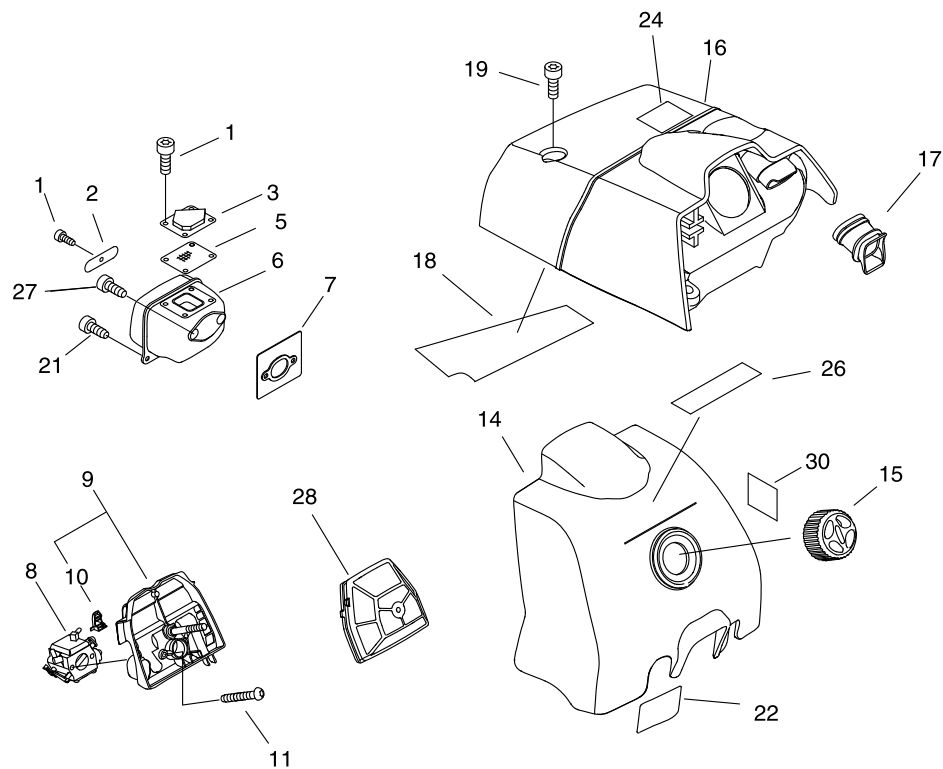
KEY	LV	PART NUMBER	Q'TY	DESCRIPTION	REMARKS	NOTE1	NOTE2
1		A014-000040	1	DECOMP,ASM			
2		V805-000220	4	BOLT, TORX 5	TB-5*25 12.9		
3		A130-002160	1	CYLINDER			
4		A202-000081	1	BELLOWS, INTAKE			
5		A206-000010	1	HOLDER, BELLOWS			
6		V805-000000	2	BOLT, TORX 5	TT-5*16 DG 10.9		
7		V100-000270	1	GASKET,CYL			
8		P021-043990	1	PISTON KIT			
9	+	A101-000210	2	RING, PISTON	45*1.5*1.9		
10	+	V580-000030	2	RING,END	D 1.0		
11	+	V609-000010	1	PIN,ENG 11	7*11*37.6		
12	+	V556-000000	1	BEARING,NEEDLE 11	KBK11*15*15.8X2		
13	+	V308-000040	2	WASHER,CIRCULAR 11	11.2*19.5*0.5		
14		100142-30830	1	KEY, WOODRUFF			
15		P021-044011	1	CRANK CASE SET			
16	+	V508-000010	2	SEAL,OIL 15	ISCD 15*25*7		
17	+	900330-50100	2	ROLLER 5*10			
18	+	94036-46202	2	BEARING BALL			
19	+	V102-000060	1	GASKET,CRANKCASE	T0.4		
20	+	436114-13930	1	VALVE, CHECK			
21	+	437239-14730	1	NIPPLE			
22	+	V205-000401	2	BOLT,8			

1. CYLINDER, CRANKCASE, PISTON



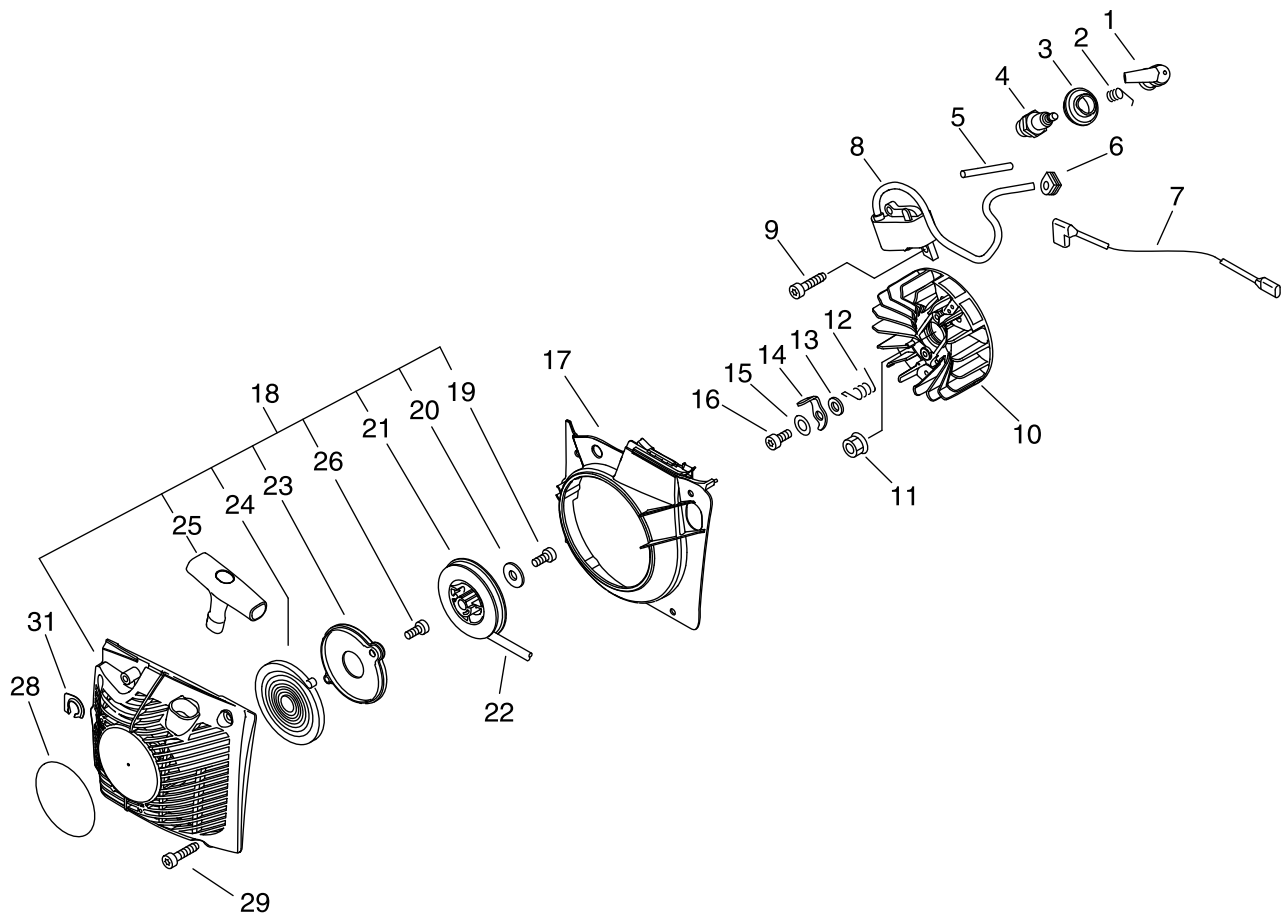
KEY	LV	PART NUMBER	Q'TY	DESCRIPTION	REMARKS	NOTE1	NOTE2
23		A239-000060	1	PIPE, INTAKE			
24		A011-001270	1	CRANKSHAFT,ASY	CSB-620PW		
25		V360-000060	1	COLLAR,18			
26		V805-000000	1	BOLT, TORX 5	TT-5*16 DG 10.9		
27		E106-000020	1	GUIDE,AIR			
28		P021-016031	1	CAP, OIL			
29	+	131051-19830	1	LINK	60L		
30	+	900246-03008	1	SCREW 3*8	3*8		
31	+	131050-19830	1	RETAINER, LINK			
32	+	900720-00028	1	O-RING 28	P-28		
33		V805-000010	2	BOLT, TORX 5	TT-5*20 DG 10.9		
34		V805-000020	4	BOLT, TORX 5	TT-5*35 DG 10.9		
35		V805-000170	1	BOLT, TORX 5	TB-5*25 10.9		
36		V141-000090	1	GROMMET,PLUG			
37		132115-01461	1	GROMMET			
38		V420-003800	2	CUSHION			
39		C310-000030	1	CATCHER,CHAIN			
40		V353-000120	1	COLLAR,5			
41		V805-000020	1	BOLT, TORX 5	TT-5*35 DG 10.9		
44		V376-001780	1	SPACER			

2. AIR CLEANER



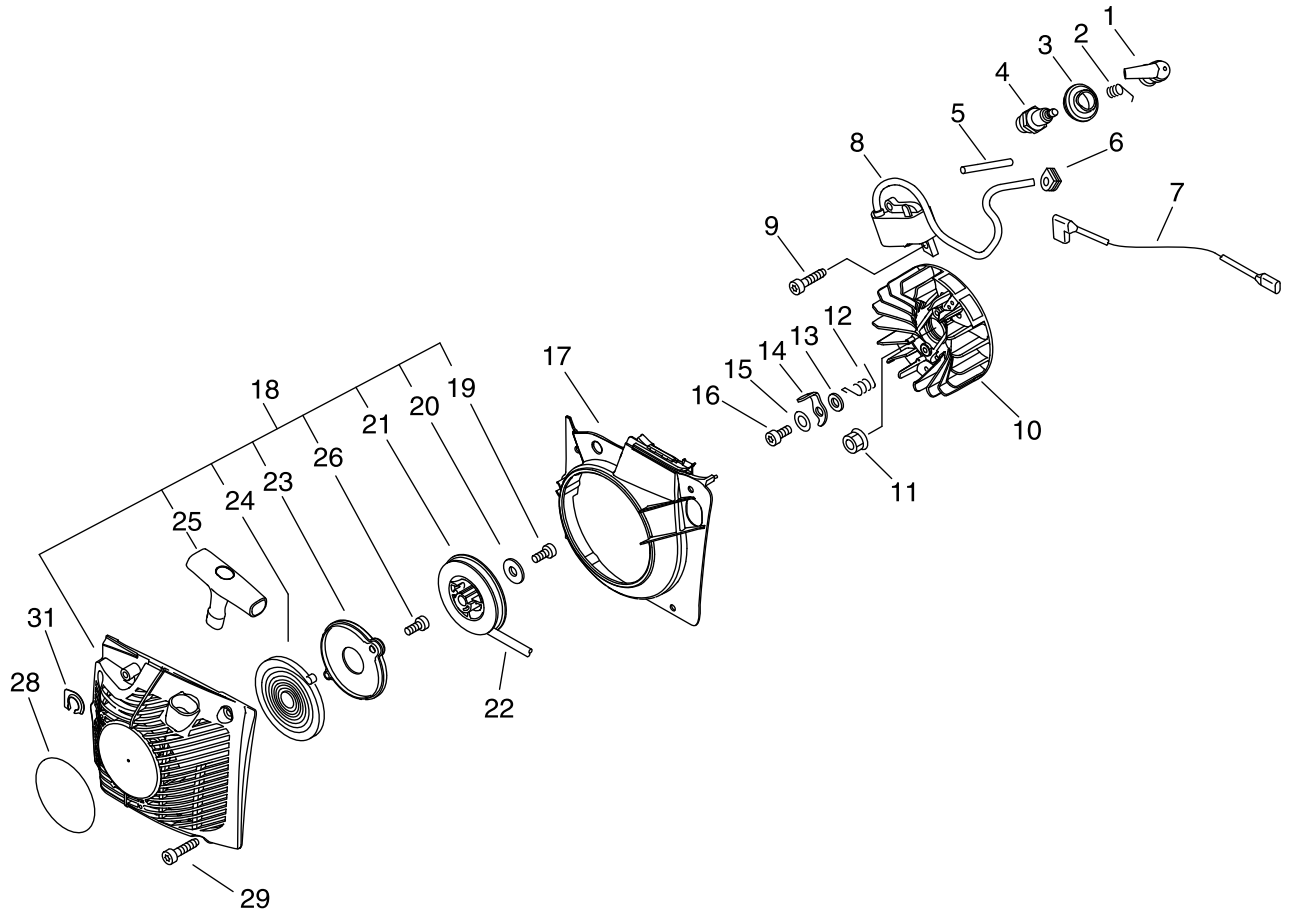
KEY	LV	PART NUMBER	Q'TY	DESCRIPTION	REMARKS	NOTE1	NOTE2
1		V804-000030	5	BOLT, TORX 4	TB-4*8 10.9		
2		A301-000030	1	PLATE, MUFFLER	T0.5		
3		A031-000040	1	GUIDE, EXHAUST	ID#2110		
5		A310-000100	1	SCREEN, ARRESTOR			
6		A300-001810	1	MUFFLER, EXHAUST			
7		V104-002150	1	GASKET, EXHAUST	T 1.6		
8		A021-004150	1	CARBURETOR, DIAPHRAGM			
9		P021-016022	1	CASE, CLEANER			
10	+	A219-000000	1	SHUTTER, AIR			
11		V805-000080	2	BOLT, TORX 5	TB-5*50 10.9		
14		A232-000472	1	LID, CLEANER			
15		A235-000190	1	KNOB, CLEANER LID			
16		A160-001081	1	COVER, CYLINDER			
17		A239-000070	1	PIPE, INTAKE			
18		V341-000140	1	WASHER, SQUARE	75*32*0.15		
19		V805-000000	3	BOLT, TORX 5	TT-5*16 DG 10.9		
21		V855-000010	2	BOLT, TORX 5	TB-5*25 12.9		
22		890157-39131	1	LABEL, SWITCH			
24		890345-39231	1	LABEL, CAUTION			
26		X503-012510	1	LABEL, MODEL	CS-620SX		
27		V805-000210	2	BOLT, TORX 5	TB-5*20 12.9		
28		P021-016371	1	ELEMENT, AIR FILTER			
30		X505-006921	1	LABEL, CAUTION	13000R/MIN		

3. STARTER, MAGNETO



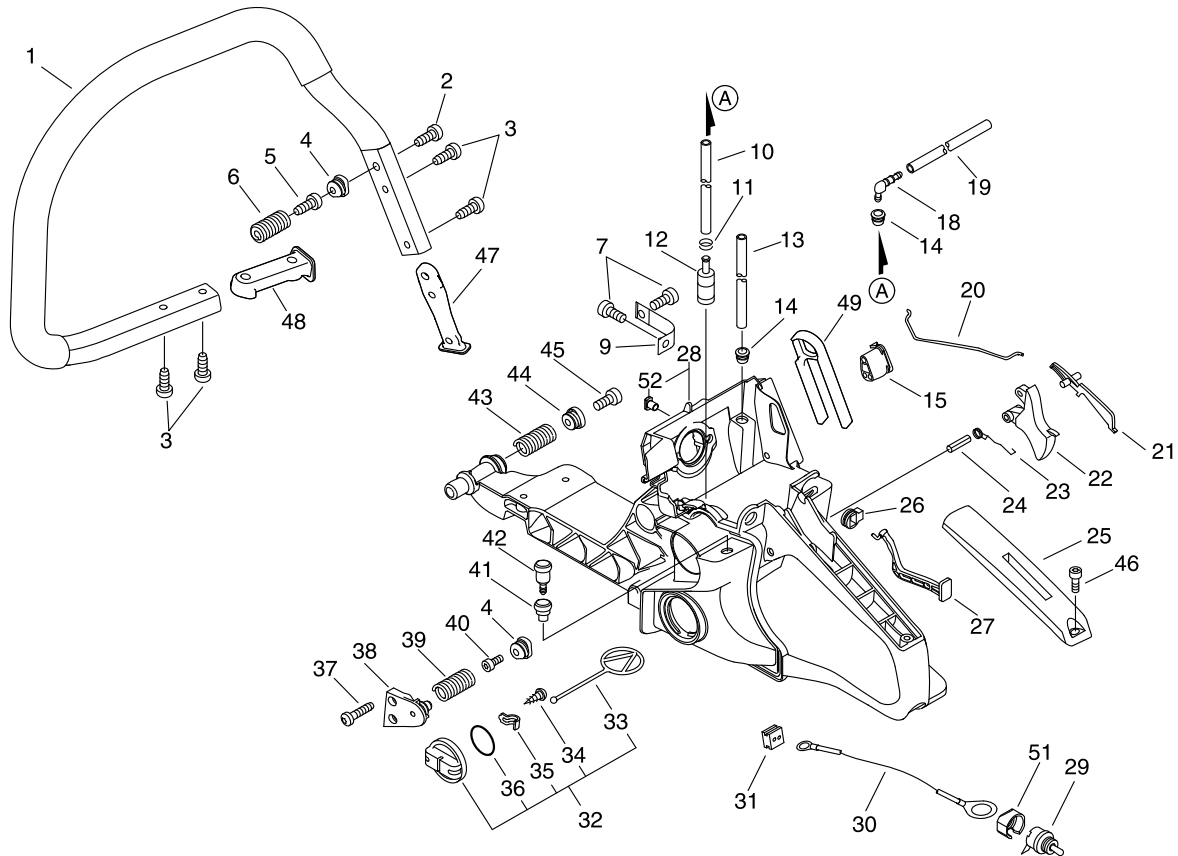
KEY	LV	PART NUMBER	Q'TY	DESCRIPTION	REMARKS	NOTE1	NOTE2
1		A427-000013	1	CAP, SPARK PLUG			
2		A426-000010	1	TERMINAL, SPARK PLUG			
3		A429-000040	1	COVER, CAP			
4		A425-000000	1	SPARK PLUG	BPMR8Y		
5		V475-004130	1	TUBE			
6		156110-04920	1	BUSHING			
7		V485-001091	1	LEAD	AVX0.75F		
8		P021-044000	1	COIL, IGNITION	CS-620P		
9		V805-000000	2	BOLT, TORX 5	TT-5*16 DG 10.9		
10		A409-000360	1	ROTOR, MAGNETO			
11		900515-00008	1	NUT, FLANGE 8	8		
12		177234-35430	2	SPRING, RETURN			
13		177247-04630	2	SPACER, RATCHET	5.2*8*2.1		
14		177218-19830	2	PAWL, STARTER			
15		900603-00005	2	WASHER 5	5.5*12*0.8		
16		V835-000000	2	BOLT, TORX 5			
17		A172-000842	1	COVER, FAN			
18		P021-041832	1	STARTER ASY			
19	+	V805-000130	1	BOLT, TORX 5	TB-5*10 10.9		
20	+	177214-02830	1	WASHER	5.2*16*1.0T		
21	+	A506-000112	1	REEL, ROPE			
22	+	A509-000460	1	ROPE			
23	+	A503-000032	1	PLATE, STARTER			
24	+	177220-35430	1	SPRING, REWIND			

3. STARTER, MAGNETO



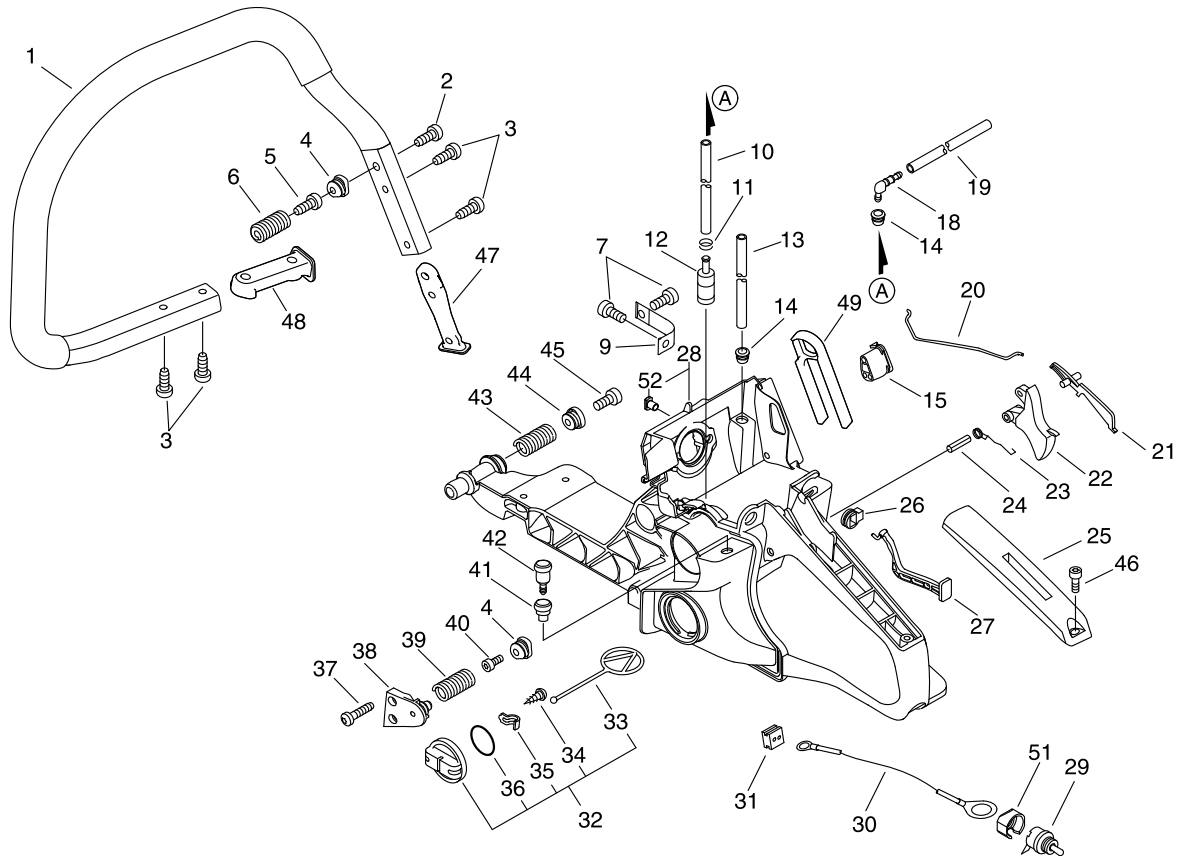
KEY	LV	PART NUMBER	Q'TY	DESCRIPTION	REMARKS	NOTE1	NOTE2
25	+	A511-000072	1	GRIP, STARTER			
26	+	V804-000000	2	BOLT, TORX 4	TT-4*12 DG 10.9		
28		X502-000900	1	LABEL,ECHO			
29		V805-000010	4	BOLT, TORX 5	TT-5*20 DG 10.9		
31		V150-003800	1	PLATE,EYE			

4. HANDLE



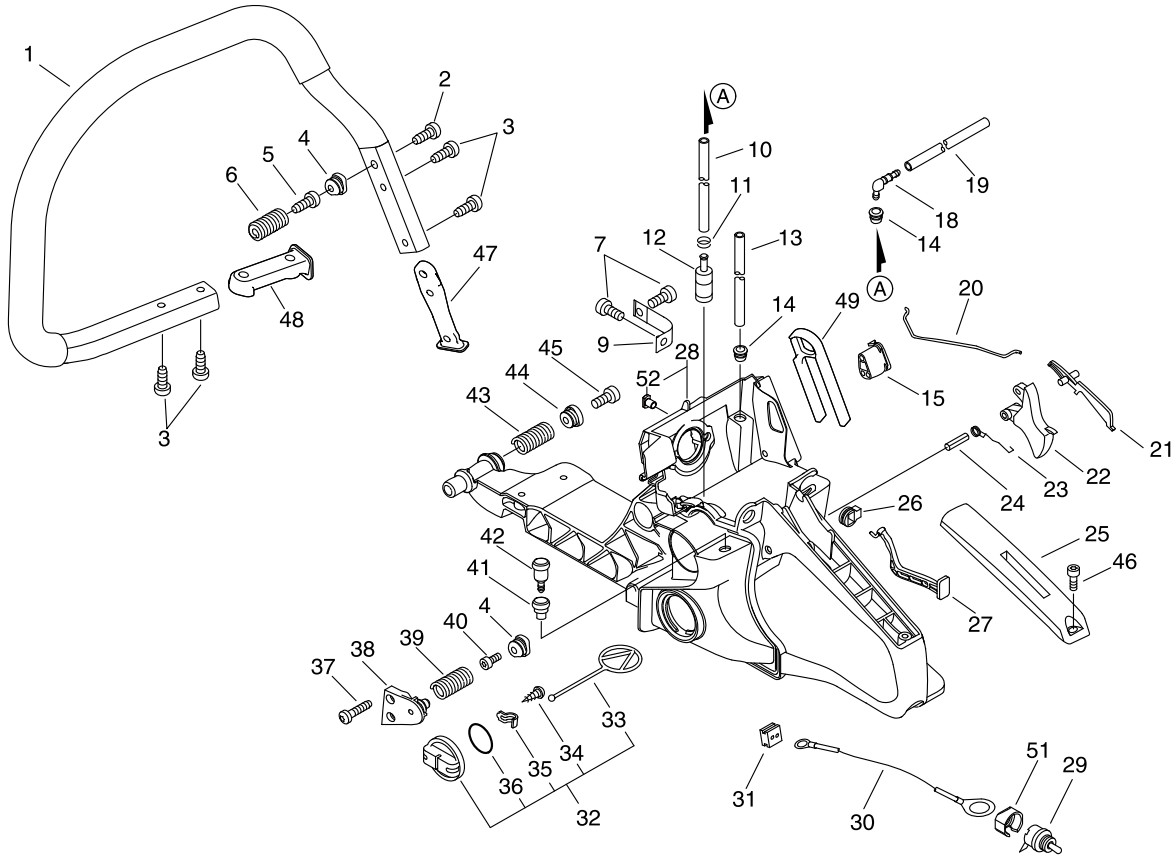
KEY	LV	PART NUMBER	Q'TY	DESCRIPTION	REMARKS	NOTE1	NOTE2
1		C400-001170	1	HANDLE, FRONT			
2		V806-000000	1	BOLT, TORX 6	TT-6*20 DG 10.9		
3		V805-000010	4	BOLT, TORX 5	TT-5*20 DG 10.9		
4		V456-000080	2	HOLDER, SPRING	14.4		
5		V805-000000	1	BOLT, TORX 5	TT-5*16 DG 10.9		
6		V450-000730	1	SPRING, COMPRESSION	17*38.4		
7		V805-000000	2	BOLT, TORX 5	TT-5*16 DG 10.9		
9		C617-000362	1	STOPPER			
10		V471-000600	1	PIPE	3*5*120		
11		V490-001240	1	CLIP			
12		131205-19832	1	STRAINER, FUEL			
13		130110-30830	1	PIPE, IMPULSE			
14		132115-01461	2	GROMMET			
15		V131-000020	1	GROMMET, NEEDLE			
18		V186-000500	1	JOINT, PIPE			
19		130110-14530	1	PIPE, IMPULSE	3*6*135L		
20		C454-000170	1	ROD, THROTTLE			
21		178090-37930	1	LOCKOUT, T. CONTROL			
22		C450-000360	1	CONTROL, THROTTLE			
23		V452-000260	1	SPRING, TORSION			
24		900345-40025	1	PIN, SPRING 4*25SUS	4*25SUS		

4. HANDLE



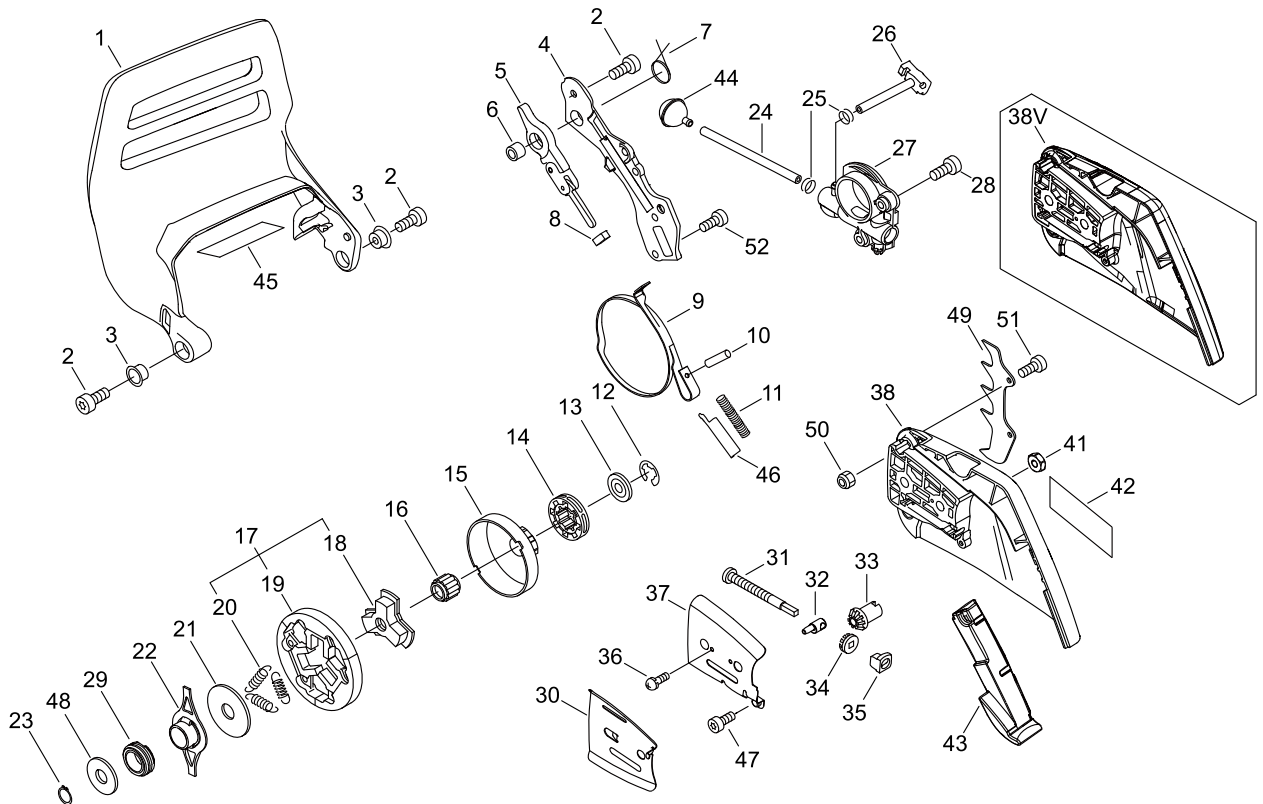
KEY	LV	PART NUMBER	Q'TY	DESCRIPTION	REMARKS	NOTE1	NOTE2
25		C411-000001	1	LID,HANDLE			
26		V130-000030	1	GROMMET,CHOKE			
27		A241-000171	1	KNOB, CHOKE			
28		C410-001252	1	HANDLE, REAR			
52	+	V263-000450	2	NUT,5			
29		A440-001190	1	SWITCH, ON OFF			
30		V485-001101	1	LEAD	L:170/LA105		
31		150114-04920	1	BUSHING			
32		P021-016041	1	CAP.FUER ASSY			
33	+	131051-19830	1	LINK	60L		
34	+	900246-03008	1	SCREW 3*8	3*8		
35	+	131050-19830	1	RETAINER, LINK			
36	+	900720-20029	1	O-RING 29	P-29		
37		V805-000010	2	BOLT, TORX 5	TT-5*20 DG 10.9		
38		V456-000090	1	HOLDER,SPRING			
39		V450-000760	1	SPRING,COMPRESSION	17*36.7*2.6		
40		V805-000230	1	BOLT, TORX 5	TT-5*25 DG 10.9		
41		A359-000000	1	COVER,VENT	22.5*D18*D8.5		
42		131300-56431	1	VENT ASSEMBLY, FUEL			
43		V450-000770	1	SPRING,COMPRESSION	20*40*3.3		
44		V456-000101	1	HOLDER,SPRING			

4. HANDLE



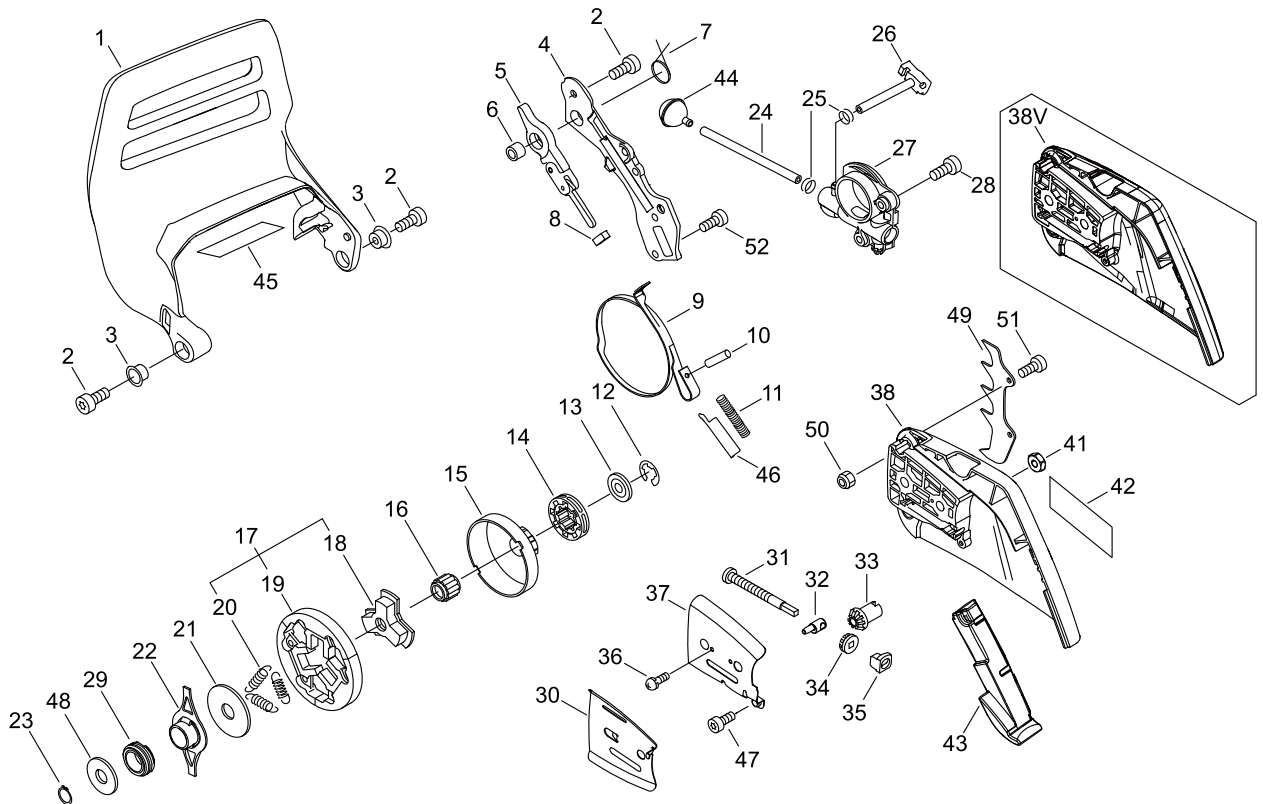
KEY	LV	PART NUMBER	Q'TY	DESCRIPTION	REMARKS	NOTE1	NOTE2
45		V806-000000	1	BOLT, TORX 6	TT-6*20 DG 10.9		
46		V804-000000	1	BOLT, TORX 4	TT-4*12 DG 10.9		
47		C405-000560	1	BRACKET,HANDLE			
48		C405-000570	1	BRACKET,HANDLE			
49		V456-000280	1	HOLDER,SPRING			
51		A472-000091	1	CASE,SWITCH			

5. CLUTCH, SPROCKET



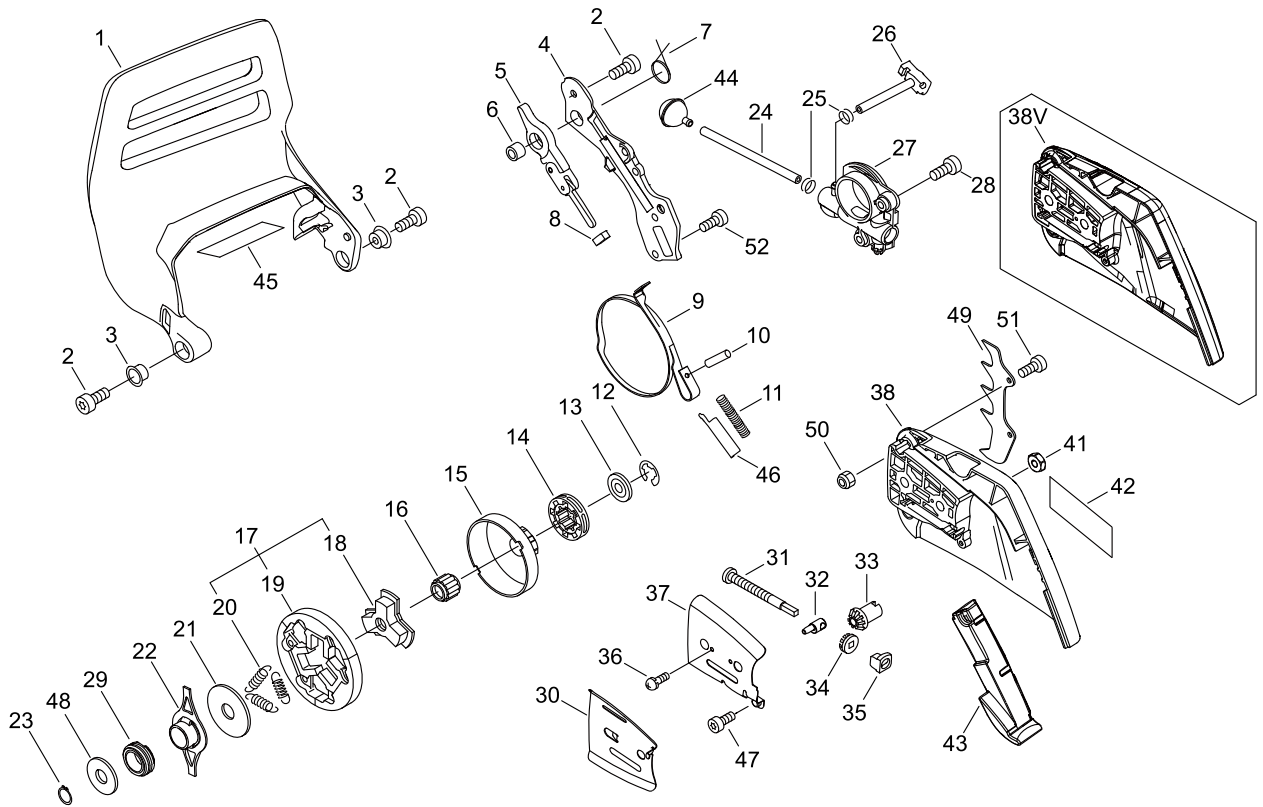
KEY	LV	PART NUMBER	Q'TY	DESCRIPTION	REMARKS	NOTE1	NOTE2
1		C320-000182	1	LEVER, BRAKE			
2		V805-000000	5	BOLT, TORX 5	TT-5*16 DG 10.9		
3		V356-000440	2	COLLAR,10	11.2*16.2*T0.6		
4		C345-000283	1	COVER,BRAKE			
5		C334-000110	1	CONNECTOR, BRAKE			
6		V356-000470	1	COLLAR,10	12*10*T1.0		
7		V452-000400	1	SPRING,TORSION			
8		V376-000450	1	SPACER			
9		C328-000121	1	BAND, BRAKE			
10		93050-30098	1	ROLLER	F3*9.8		
11		V450-000740	1	SPRING,COMPRESSION	12*70.5		
12		V583-000440	1	RING	8.1 T1.2		
13		V307-000520	1	WASHER,CIRCULAR 10			
14		175033-14731	1	SPROCKET, RIM 68210S			
15		A556-001610	1	DRUM, CLUTCH			
16		V555-000160	1	BEARING,NEEDLE 10			
17		A056-000220	1	CLUTCH ASY	VA		
18	+	A552-000110	1	HUB, CLUTCH			
19	+	P021-007050	1	CLUTCH SHOE SET			
20	+	V451-000500	3	SPRING,TENSION			
21		A551-000110	1	PLATE, CLUTCH	12*36*2		
22		V358-000090	1	COLLAR,14			
23		900701-00015	1	CIRCLIP 15	CS-15		

5. CLUTCH, SPROCKET



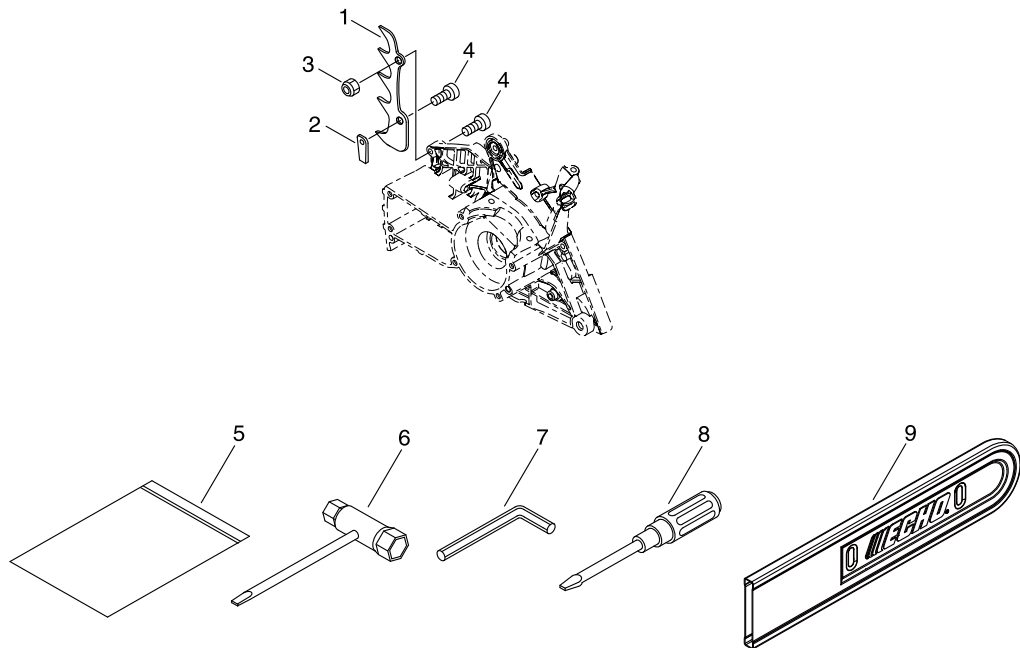
KEY	LV	PART NUMBER	Q'TY	DESCRIPTION	REMARKS	NOTE1	NOTE2
24		437210-30830	1	PIPE, OIL	NBR 3*6*210L		
25		V490-001240	2	CLIP			
26		V470-000830	1	PIPE			
27		C022-000052	1	AUTO-OILER ASSEMBLY			
28		V804-000000	2	BOLT, TORX 4	TT-4*12 DG 10.9		
29		V652-000050	1	GEAR,WORM			
30		C305-000110	1	PLATE, SPROCKET GUARD			
31		V203-000110	1	BOLT,5		-36001350	
31		V203-002140	1	BOLT,5		36001351-	
32		C309-000160	1	TENSIONER, CHAIN			
33		V651-000001	1	GEAR,BEVEL			
34		V651-000011	1	GEAR,BEVEL			
35		V355-000800	1	COLLAR,8			
36		91325-03005	1	SCREW			
37		C305-000100	1	PLATE, SPROCKET GUARD			
38		C300-000990	1	GUARD, SPROCKET		-36001350	
38V		C300-000991	1	GUARD, SPROCKET		36001351-	
41		V265-000250	2	NUT			
42		X502-000340	1	LABEL,ECHO	ECHO(WHITE)		
43		C302-000011	1	PAD, GUARD			
44		436205-14730	1	STRAINER, OIL			
45		V341-000131	1	WASHER,SQUARE	75*27*0.15		
46		C603-000220	1	PLATE, SIDE	T0.3		

5. CLUTCH, SPROCKET



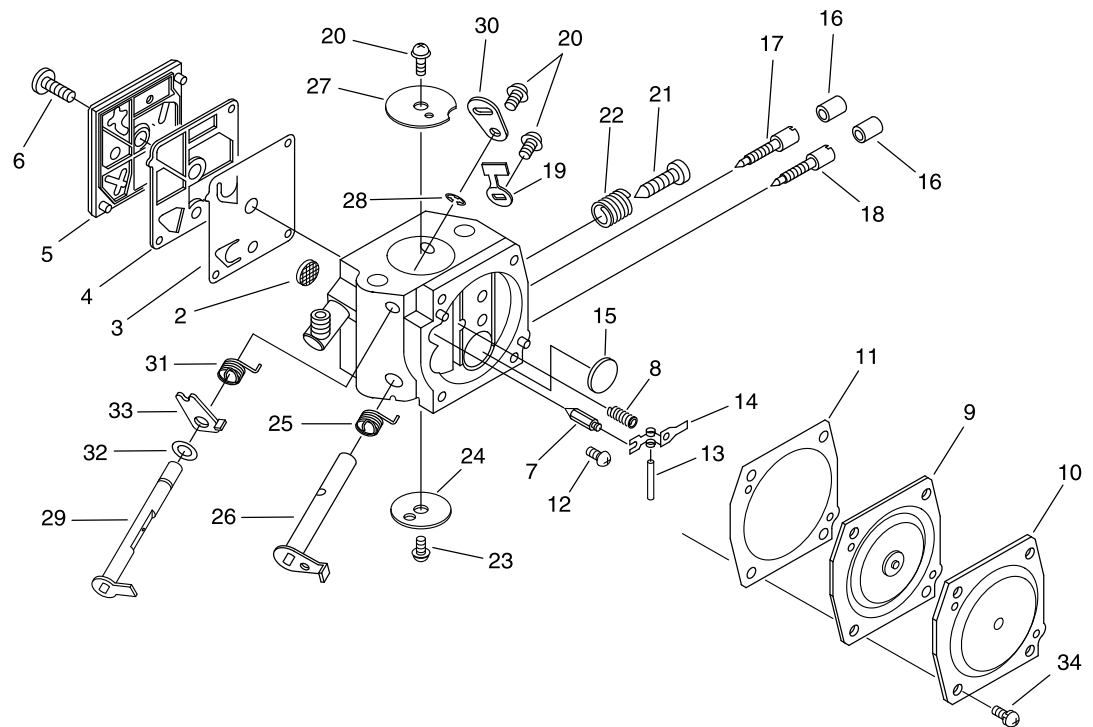
KEY	LV	PART NUMBER	Q'TY	DESCRIPTION	REMARKS	NOTE1	NOTE2
47		V804-000000	1	BOLT, TORX 4	TT-4*12 DG 10.9		
48		V311-000090	1	WASHER,CIRCULAR 16-1	15.5*22.5*0.5		
49		C304-000300	1	SPIKED			
50		900560-00005	2	NUT, LOCK 5	5		
51		V805-000300	2	BOLT, TORX 5	TB-5*12 12.9		
52		V804-000000	1	BOLT, TORX 4	TT-4*12 DG 10.9		

6. ACCESSORIES



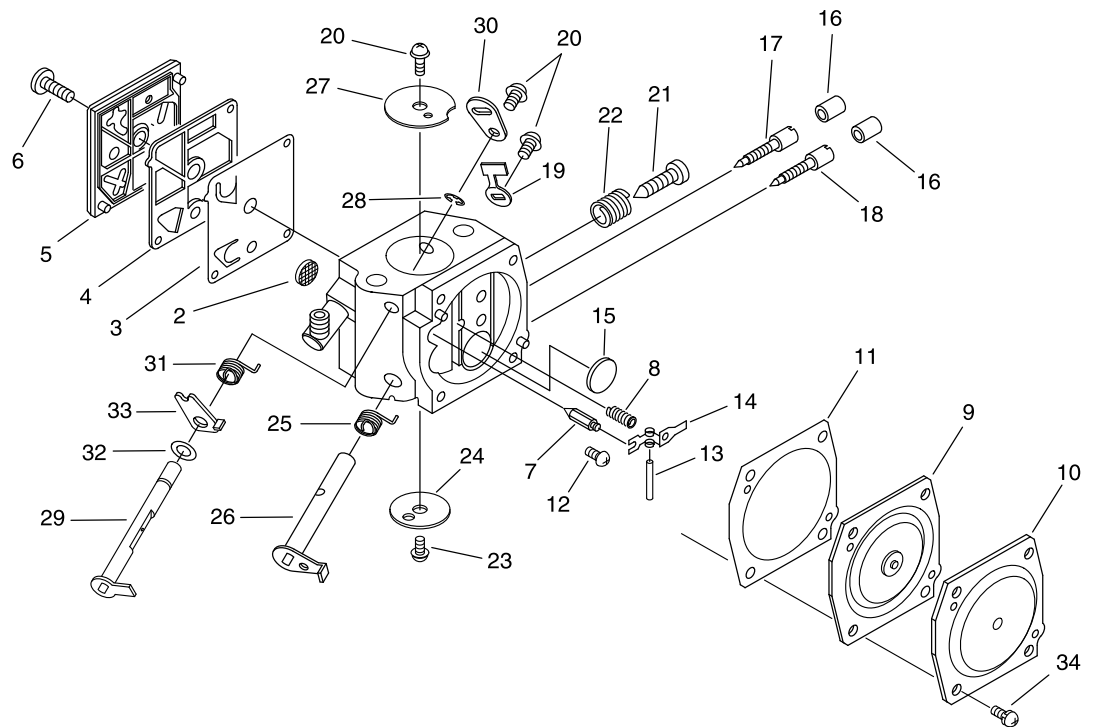
KEY	LV	PART NUMBER	Q'TY	DESCRIPTION	REMARKS	NOTE1	NOTE2
1		C304-000290	1	SPIKED			
2		V376-001890	1	SPACER			
3		900560-00005	1	NUT, LOCK 5	5		
4		V805-000250	2	BOLT, TORX 5	TB-5*16 12.9		
5		X698-000050	1	TOOL,CASE	140*260*0.06		
6		X602-000080	1	TOOL,WRENCH	13*19 L180		
7		X605-000190	1	TOOL,L WRENCH	T27 120*80		
8		895812-03930	1	DRIVER, SCREW 50			
9		X490-000660	1	SCABBARD,CHAIN	L500 W110		

7. CARBURETOR





KEY	LV	PART NUMBER	Q'TY	DESCRIPTION	REMARKS	NOTE1	NOTE2
		A021-004150	1	CARBURETOR,DIAPHRAGM			
2	+	123126-10631	1	SCREEN, INLET			
3	+	123112-12330	1	DIAPHRAGM, FUEL PUMP			
4	+	123125-12330	1	GASKET, FUEL PUMP			
5	+	123124-19830	1	COVER, FUEL PUMP			
6	+	123110-16130	1	SCREW, PUMP COVER			
7	+	123137-19830	1	VALVE, INLET NEEDLE			
8	+	123122-32630	1	SPRING, METER. LEVER			
9	+	P003-004920	1	DIAPHRAGM ASSY	95-649		
10	+	123142-17330	1	COVER, M. DIAPHRAGM			
11	+	123140-16130	1	GASKET, M. DIAPHRAGM			
12	+	123139-03930	1	SCREW, M. LEVER PIN			
13	+	123138-03930	1	PIN, METERING LEVER			
14	+	123123-18330	1	LEVER, METERING			
15	+	123146-10631	1	PLUG, WELCH			
16	+	P003-000010	2	LIMITER CAP			
17	+	123118-02261	1	NEEDLE			
18	+	123120-32631	1	NEEDLE, HIGH SPEED			
19	+	123156-30830	1	STOP, THROTTLE			
20	+	123114-38830	3	SCREW			
21	+	123134-04260	1	SCREW, IDLE ADJUST			
22	+	123133-04260	1	SPRING, IDLE ADJUST			
23	+	P003-002380	1	SCREW			
24	+	123132-16130	1	VALVE, CHOKE			
25	+	P003-000560	1	SPRING, THRT. RETURN			

7. CARBURETOR



KEY	LV	PART NUMBER	Q'TY	DESCRIPTION	REMARKS	NOTE1	NOTE2
26	+	P003-002280	1	SHAFT, THROTTLE			
27	+	123116-16130	1	VALVE, THROTTLE			
28	+	123127-15030	1	RING			
29	+	P003-002290	1	SHAFT, CHOKE			
30	+	P003-002300	1	LEVER, CHOKE			
31	+	P003-000610	1	SPRING			
32	+	123149-26030	1	WASHER			
33	+	P003-000620	1	LEVER-FAST IDLE			
34	+	123130-02960	4	SCREW			

8. GUIDE BAR, CHAIN

Pitch ピッチ (inch) (mm)	Gauge ゲージ (inch) (mm)	Length 長さ (cm)	Guide Bar ガイドバー		Saw Chain ソーチェン		Chain Scabbard チェン スカバード		Hard Nose ハード ノーズ 	Sprocket Nose スプロケット ノーズ 
			Key No	Type 形式	Key No	Type 形式	Key No	Length 長さ (cm)		
3/8 9.53	0.058 1.47	45	A1	45RS58D-3/8	A2	73LPX-64	/	/		●
3/8 9.53	0.058 1.47	50	B1	50RS58D-3/8	B2	73LPX-72	/	/		●
3/8 9.53	0.058 1.47	60	C1	60RS58D-3/8	C2	73LPX-84	3	65		●

KEY	LV	PART NUMBER	Q'TY	DESCRIPTION	REMARKS	NOTE1	NOTE2
A1		X125-000260	1	BAR,GUIDE 45	45RS58D-3/8EEC		
A2		X265-000060	1	CHAIN,SAW	73LPX-64		
B1		X126-000190	1	BAR,GUIDE 50	50RS58D-3/8EEC		
B2		X266-000060	1	CHAIN,SAW	73LPX-72		
C1		X128-000050	1	BAR,GUIDE 60	60RS58D-3/8EEC		
C2		X268-000040	1	CHAIN,SAW	73LPX-84		
3		X490-000261	1	SCABBARD,CHAIN			

Index

Patrs Number	Key No.	Patrs Number	Key No.	Patrs Number	Key No.
100142-30830	1 - 14	890345-39231	2 - 24	A551-000110	5 - 21
123110-16130	7 - 6	895812-03930	6 - 8	A552-000110	5 - 18
123112-12330	7 - 3	900246-03008	1 - 30	A556-001610	5 - 15
123114-38830	7 - 20	900246-03008	4 - 34	C022-000052	5 - 27
123116-16130	7 - 27	900330-50100	1 - 17	C300-000990	5 - 38
123118-02261	7 - 17	900345-40025	4 - 24	C300-000991	5 - 38V
123120-32631	7 - 18	900515-00008	3 - 11	C302-000011	5 - 43
123122-32630	7 - 8	900560-00005	5 - 50	C304-000290	6 - 1
123123-18330	7 - 14	900560-00005	6 - 3	C304-000300	5 - 49
123124-19830	7 - 5	900603-00005	3 - 15	C305-000100	5 - 37
123125-12330	7 - 4	900701-00015	5 - 23	C305-000110	5 - 30
123126-10631	7 - 2	900720-00028	1 - 32	C309-000160	5 - 32
123127-15030	7 - 28	900720-20029	4 - 36	C310-000030	1 - 39
123130-02960	7 - 34	91325-03005	5 - 36	C320-000182	5 - 1
123132-16130	7 - 24	93050-30098	5 - 10	C328-000121	5 - 9
123133-04260	7 - 22	94036-46202	1 - 18	C334-000110	5 - 5
123134-04260	7 - 21	A011-001270	1 - 24	C345-000283	5 - 4
123137-19830	7 - 7	A014-000040	1 - 1	C400-001170	4 - 1
123138-03930	7 - 13	A021-004150	2 - 8	C405-000560	4 - 47
123139-03930	7 - 12	A021-004150	7 -	C405-000570	4 - 48
123140-16130	7 - 11	A031-000040	2 - 3	C410-001252	4 - 28
123142-17330	7 - 10	A056-000220	5 - 17	C411-000001	4 - 25
123146-10631	7 - 15	A101-000210	1 - 9	C450-000360	4 - 22
123149-26030	7 - 32	A130-002160	1 - 3	C454-000170	4 - 20
123156-30830	7 - 19	A160-001081	2 - 16	C603-000220	5 - 46
130110-14530	4 - 19	A172-000842	3 - 17	C617-000362	4 - 9
130110-30830	4 - 13	A202-000081	1 - 4	E106-000020	1 - 27
131050-19830	1 - 31	A206-000010	1 - 5	P003-000010	7 - 16
131050-19830	4 - 35	A219-000000	2 - 10	P003-000560	7 - 25
131051-19830	1 - 29	A232-000472	2 - 14	P003-000610	7 - 31
131051-19830	4 - 33	A235-000190	2 - 15	P003-000620	7 - 33
131205-19832	4 - 12	A239-000060	1 - 23	P003-002280	7 - 26
131300-56431	4 - 42	A239-000070	2 - 17	P003-002290	7 - 29
132115-01461	1 - 37	A241-000171	4 - 27	P003-002300	7 - 30
132115-01461	4 - 14	A300-001810	2 - 6	P003-002380	7 - 23
150114-04920	4 - 31	A301-000030	2 - 2	P003-004920	7 - 9
156110-04920	3 - 6	A310-000100	2 - 5	P021-007050	5 - 19
175033-14731	5 - 14	A359-000000	4 - 41	P021-016022	2 - 9
177214-02830	3 - 20	A409-000360	3 - 10	P021-016031	1 - 28
177218-19830	3 - 14	A425-000000	3 - 4	P021-016041	4 - 32
177220-35430	3 - 24	A426-000010	3 - 2	P021-016371	2 - 28
177234-35430	3 - 12	A427-000013	3 - 1	P021-041832	3 - 18
177247-04630	3 - 13	A429-000040	3 - 3	P021-043990	1 - 8
178090-37930	4 - 21	A440-001190	4 - 29	P021-044000	3 - 8
436114-13930	1 - 20	A472-000091	4 - 51	P021-044011	1 - 15
436205-14730	5 - 44	A503-000032	3 - 23	V100-000270	1 - 7
437210-30830	5 - 24	A506-000112	3 - 21	V102-000060	1 - 19
437239-14730	1 - 21	A509-000460	3 - 22	V104-002150	2 - 7
890157-39131	2 - 22	A511-000072	3 - 25	V130-000030	4 - 26

Index

Patrs Number	Key No.	Patrs Number	Key No.	Patrs Number	Key No.
V131-000020	4 - 15	V651-000011	5 - 34		
V141-000090	1 - 36	V652-000050	5 - 29		
V150-003800	3 - 31	V804-000000	3 - 26		
V186-000500	4 - 18	V804-000000	4 - 46		
V203-000110	5 - 31	V804-000000	5 - 28		
V203-002140	5 - 31	V804-000000	5 - 47		
V205-000401	1 - 22	V804-000000	5 - 52		
V263-000450	4 - 52	V804-000030	2 - 1		
V265-000250	5 - 41	V805-000000	1 - 6		
V307-000520	5 - 13	V805-000000	1 - 26		
V308-000040	1 - 13	V805-000000	2 - 19		
V311-000090	5 - 48	V805-000000	3 - 9		
V341-000131	5 - 45	V805-000000	4 - 5		
V341-000140	2 - 18	V805-000000	4 - 7		
V353-000120	1 - 40	V805-000000	5 - 2		
V355-000800	5 - 35	V805-000010	1 - 33		
V356-000440	5 - 3	V805-000010	3 - 29		
V356-000470	5 - 6	V805-000010	4 - 3		
V358-000090	5 - 22	V805-000010	4 - 37		
V360-000060	1 - 25	V805-000020	1 - 34		
V376-000450	5 - 8	V805-000020	1 - 41		
V376-001780	1 - 44	V805-000080	2 - 11		
V376-001890	6 - 2	V805-000130	3 - 19		
V420-003800	1 - 38	V805-000170	1 - 35		
V450-000730	4 - 6	V805-000210	2 - 27		
V450-000740	5 - 11	V805-000220	1 - 2		
V450-000760	4 - 39	V805-000230	4 - 40		
V450-000770	4 - 43	V805-000250	6 - 4		
V451-000500	5 - 20	V805-000300	5 - 51		
V452-000260	4 - 23	V806-000000	4 - 2		
V452-000400	5 - 7	V806-000000	4 - 45		
V456-000080	4 - 4	V835-000000	3 - 16		
V456-000090	4 - 38	V855-000010	2 - 21		
V456-000101	4 - 44	X125-000260	8 - A1		
V456-000280	4 - 49	X126-000190	8 - B1		
V470-000830	5 - 26	X128-000050	8 - C1		
V471-000600	4 - 10	X265-000060	8 - A2		
V475-004130	3 - 5	X266-000060	8 - B2		
V485-001091	3 - 7	X268-000040	8 - C2		
V485-001101	4 - 30	X490-000261	8 - 3		
V490-001240	4 - 11	X490-000660	6 - 9		
V490-001240	5 - 25	X502-000340	5 - 42		
V508-000010	1 - 16	X502-000900	3 - 28		
V555-000160	5 - 16	X503-012510	2 - 26		
V556-000000	1 - 12	X505-006921	2 - 30		
V580-000030	1 - 10	X602-000080	6 - 6		
V583-000440	5 - 12	X605-000190	6 - 7		
V609-000010	1 - 11	X698-000050	6 - 5		
V651-000001	5 - 33				

YAMABIKO CORPORATION

7-2 SUEHIROCHO 1-CHOME, OHME, TOKYO 198-8760, JAPAN
PHONE: 81-428-32-6118. FAX: 81-428-32-6145.



13lb
No. 06-061