



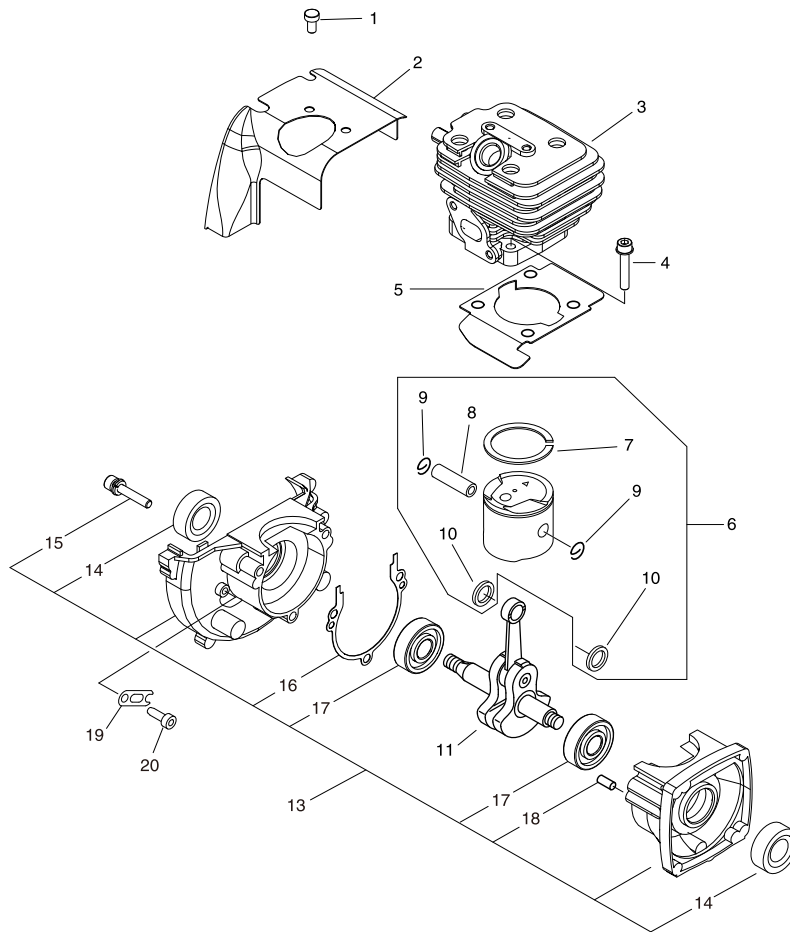
PARTS CATALOG

SHRED 'N' VAC ES-250ES(37)

37000001 -

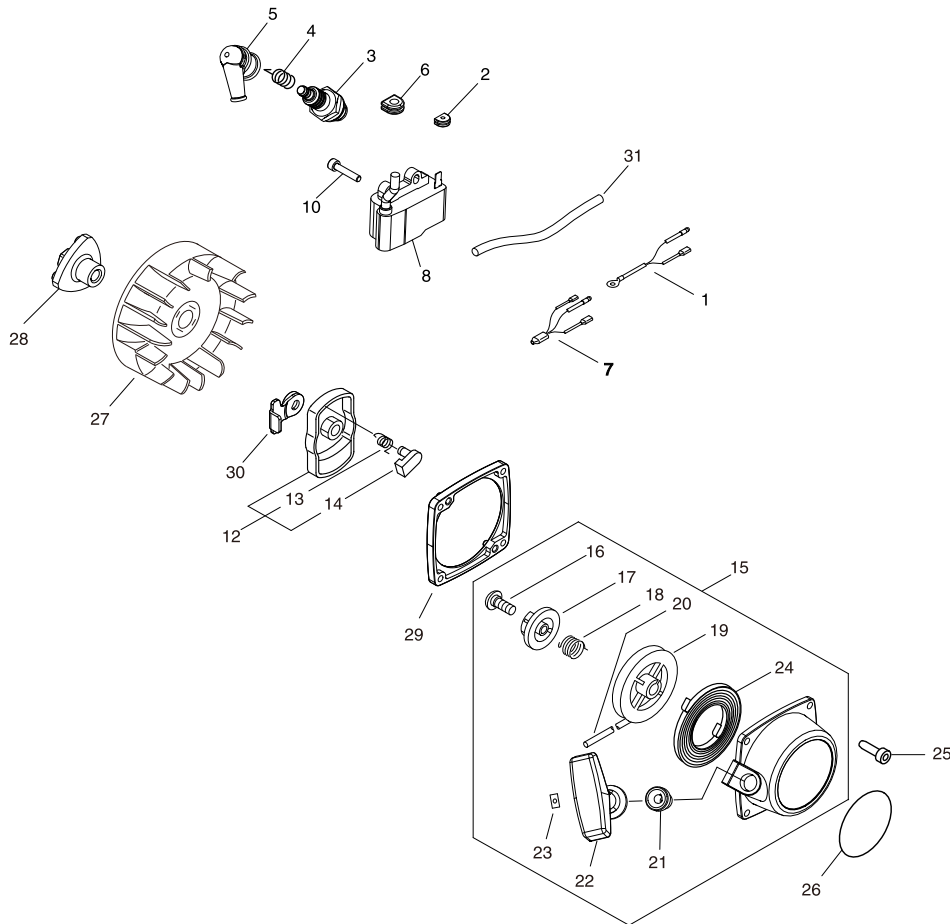
P014-001760-11Mb

1. CYLINDER, PISTON, CRANKCASE



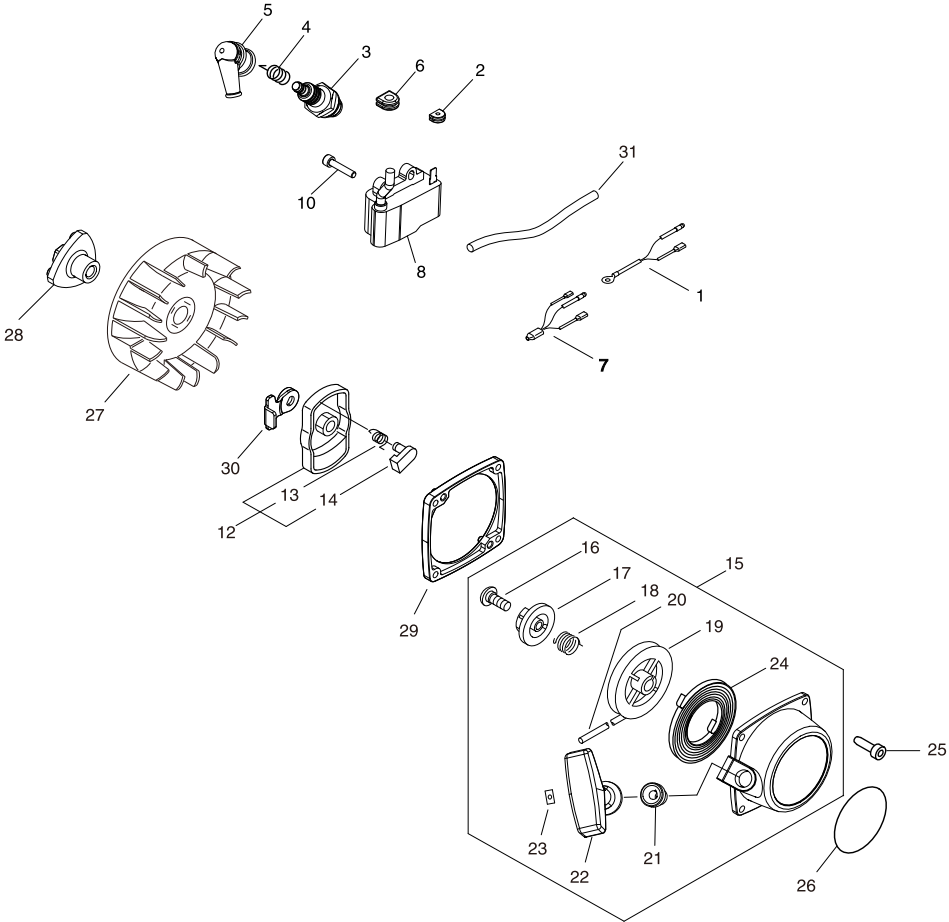
KEY	LV	PART NUMBER	Q'TY	DESCRIPTION	REMARKS	NOTE1	NOTE2
1		V805-000120	2	BOLT, TORX 5	TB-5*8 10.9		
2		A160-001260	1	COVER,CYLINDER			
3		A130-001020	1	CYLINDER			
4		900162-05025	4	BOLT, H.S. 5*25	5*25 W,SW		
5		V100-000190	1	GASKET,CYL			
6		P021-017410	1	PISTON KIT			
7	+	A101-000140	1	RING, PISTON	B1.2 T1.5		
8	+	V606-000000	1	PIN,ENG 8	5*8*28		
9	+	100015-04630	2	CIRCLIP, PISTON PIN			
10	+	100014-11520	2	SPACER, PISTON PIN			
11		A011-000590	1	CRANKSHAFT,ASY			
13		P021-008231	1	CRANKCASE KIT			
14	+	100212-42031	2	OILSEAL	ISCD 12*22*4.5		
15	+	900162-05028	3	BOLT, H.S. 5*28	5*28 W,SW		
16	+	100242-42030	1	GASKET, CRANKCASE			
17	+	94035-36201	2	BEARING BALL	6201X3JR2C3		
18	+	100215-03930	2	PIN, DOWEL			
19		V150-002400	1	PLATE,EYE			
20		V805-000120	1	BOLT, TORX 5	TB-5*8 10.9		

2. RECOIL STARTER, MAGNETO



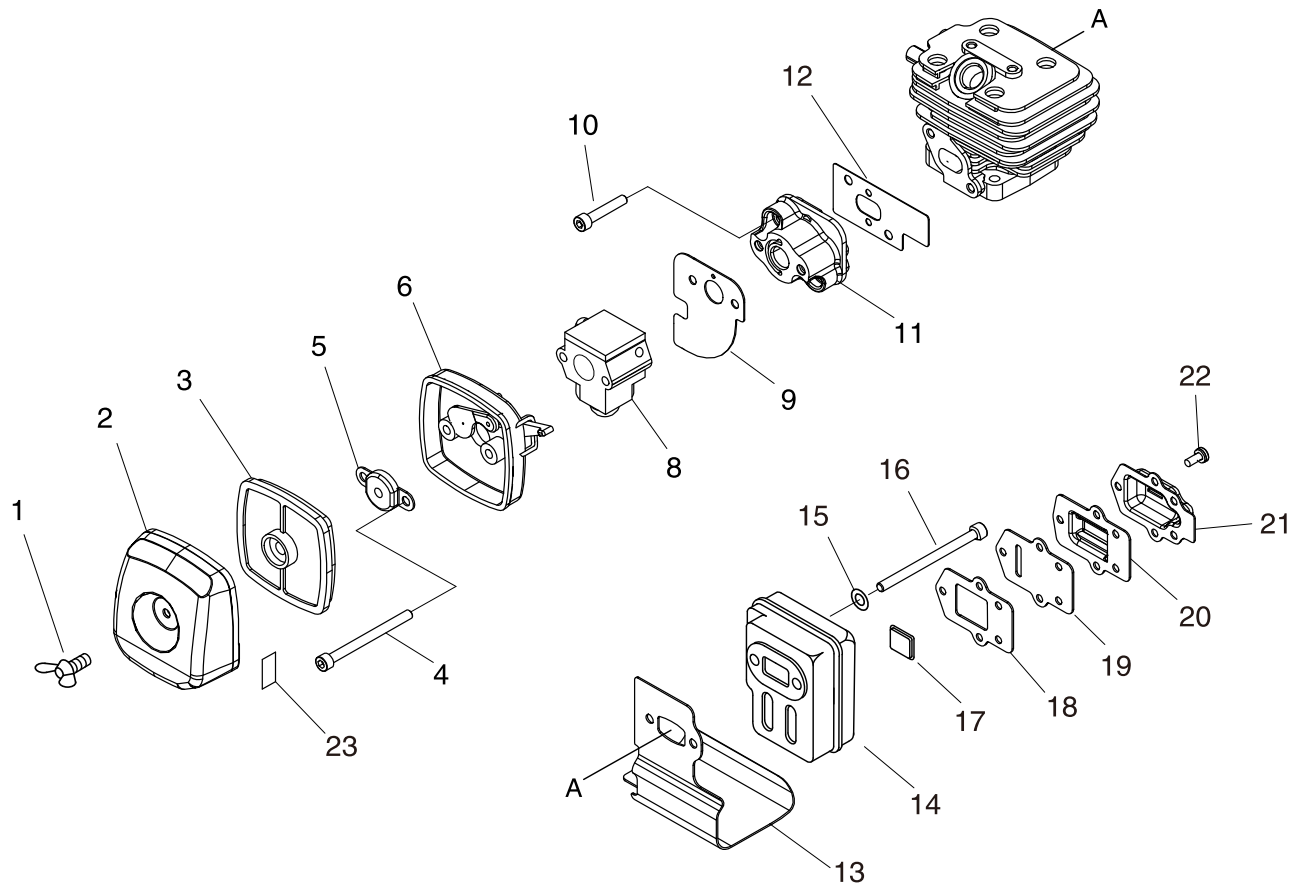
KEY	LV	PART NUMBER	Q'TY	DESCRIPTION	REMARKS	NOTE1	NOTE2
1		V485-002220	1	LEAD			
2		152115-05530	1	BUSHING			
3		A425-000000	1	SPARKPLUG	BPMR8Y		
4		159011-03432	1	COIL, SPARK PLUG			
5		159012-03433	1	CAP, SPARK PLUG			
6		156110-04920	1	BUSHING			
7		V485-002210	1	LEAD			
8		A411-000500	1	COIL, IGNITION			
10		V804-000070	2	BOLT, TORX 4	TB-4*20 12.9		
12		A052-000440	1	PULLEY,ASM STARTER			
13	+	P022-006510	2	SPRING, RETURN			
14	+	P022-020030	2	PAWL, STARTER			
15		A051-000740	1	STARTER,RECOIL			
16	+	177236-61830	1	SCREW			
17	+	P022-008280	1	PLATE, CAM			
18	+	P022-008270	1	SPRING,DAMPER			
19	+	P022-006830	1	DRUM			
20	+	P022-008260	1	ROPE	3M/M		
21	+	177227-42030	1	GUIDE, ROPE			
22	+	177228-27030	1	GRIP, STARTER			
23	+	177246-11120	1	CLIP, STARTER ROPE			
24	+	177220-42030	1	SPRING, REWIND			
25		V804-000060	4	BOLT, TORX 4	TB-4*16 10.9		
26		X502-000330	1	LABEL,ECHO	ECHO		
27		A409-000210	1	ROTOR,MAGNETO			
28		E101-000071	1	HUB,FAN	M8*1.25		

2. RECOIL STARTER, MAGNETO



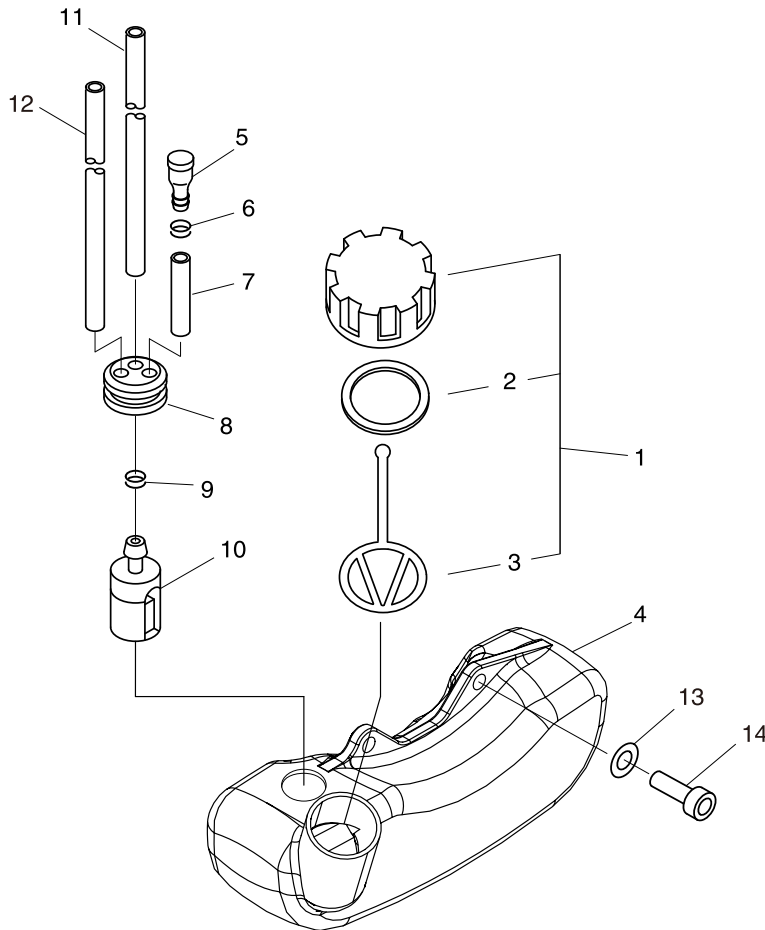
KEY	LV	PART NUMBER	Q'TY	DESCRIPTION	REMARKS	NOTE1	NOTE2
29		V376-001750	1	SPACER			
30		A115-000000	1	WEIGHT,BALANCE			
31		V475-006820	1	TUBE	L120		

3. AIR CLEANER, MUFFLER



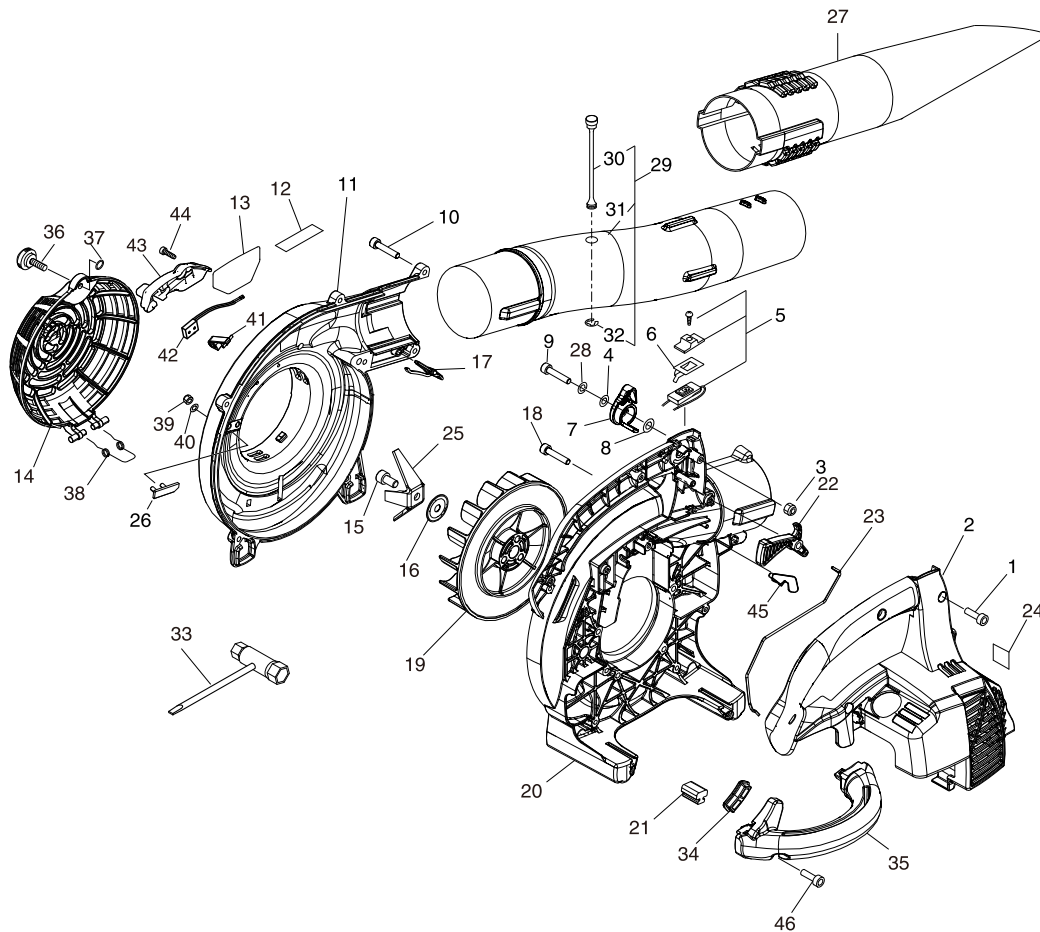
KEY	LV	PART NUMBER	Q'TY	DESCRIPTION	REMARKS	NOTE1	NOTE2
1		210417-52730	1	BOLT, WING	5*20		
2		130313-05863	1	LID, AIR CLEANER			
3		A226-001410	1	ELEMENT, AIR FILTER			
4		V805-000100	2	BOLT, TORX 5	TB-5*65 10.9		
5		129011-52730	1	PLATE, PREVENT			
6		P021-004480	1	CASE, AIR CLEANER			
8		A021-001881	1	CARBURETOR, DIAPHRAGM	WTA-33		
9		V103-000550	1	GASKET, INTAKE			
10		V805-000220	2	BOLT, TORX 5	TB-5*25 12.9		
11		A200-000370	1	INSULATOR, INTAKE			
12		V103-000540	1	GASKET, INTAKE			
13		V104-000960	1	GASKET, EXHAUST			
14		A300-000810	1	MUFFLER, EXHAUST			
15		900603-00005	2	WASHER 5	5.5*12*0.8		
16		V203-000190	2	BOLT, 5	AN A2-70		
17		A310-000070	1	SCREEN, ARRESTOR	22*28*3		
18		V104-000940	1	GASKET, EXHAUST	T:0.5		
19		A313-001070	1	GUIDE, EXHAUST			
20		A313-000840	1	GUIDE, EXHAUST	20.5*3		
21		A313-001091	1	GUIDE, EXHAUST			
22		V804-000080	5	BOLT, TORX 4	TB4*8		
23		890332-52730	1	LABEL, CHOKE			

4. FUEL TANK



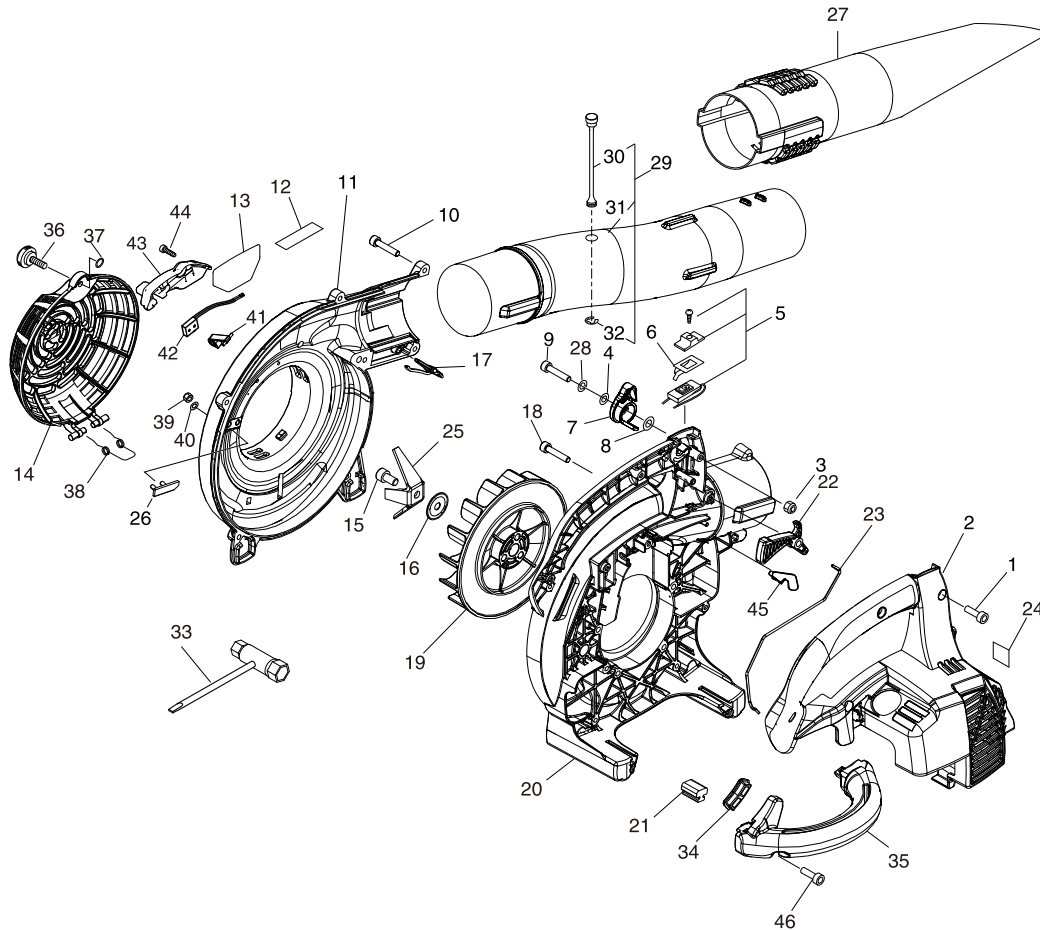
KEY	LV	PART NUMBER	Q'TY	DESCRIPTION	REMARKS	NOTE1	NOTE2
1		131004-55530	1	CAP ASSY, FUEL TANK			
2	+	131016-55830	1	GASKET, FUEL CAP			
3	+	131051-56030	1	CLIP, FUEL CAP	100L		
4		131005-20561	1	TANK, FUEL			
5		A356-000030	1	VALVE,CHECK			
6		132013-09820	1	CLIP	6MM		
7		132012-04631	1	PIPE	3*5*80 NBR		
8		V137-000030	1	GROMMET,FUEL			
9		132013-09820	1	CLIP	6MM		
10		131205-07320	1	STRAINER, FUEL			
11		V471-002170	1	PIPE	3*5*230		
12		132010-49730	1	PIPE 3*6*85	3*6*85 YL		
13		900603-00005	2	WASHER 5	5.5*12*0.8		
14		V805-000150	2	BOLT, TORX 5	TB-5*16 10.9		

5. FAN CASE



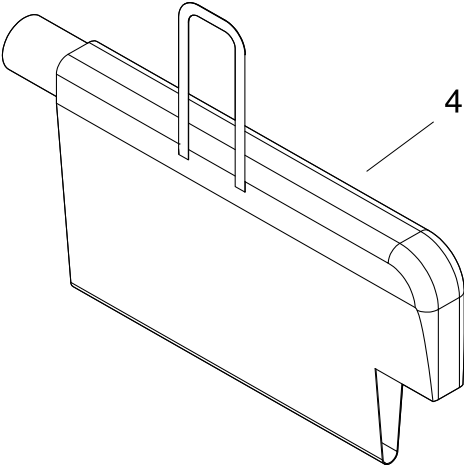
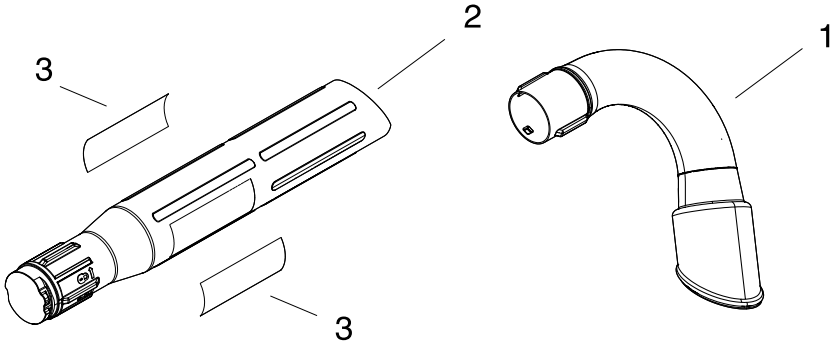
KEY	LV	PART NUMBER	Q'TY	DESCRIPTION	REMARKS	NOTE1	NOTE2
1		V805-000010	7	BOLT, TORX 5	TT-5*20 DG 10.9		
2		A190-000860	1	COVER,ENGINE			
3		900562-50005	1	LOCKNUT 5	5		
4		900602-00005	1	WASHER 5	5.3*10*1		
5		A440-001310	1	SWITCH, ON OFF			
6		V486-000150	1	TERMINAL,LEAD			
7		C453-000300	1	LEVER,THROTTLE			
8		900603-00005	1	WASHER 5	5.5*12*0.8		
9		V805-000220	1	BOLT, TORX 5	TB-5*25 12.9		
10		V805-000010	6	BOLT, TORX 5	TT-5*20 DG 10.9		
11		E103-000980	1	CASE,FAN			
12		X505-002080	1	LABEL,CAUTION			
13		X547-001830	1	LABEL,ECHO			
14		E104-000090	1	GRID, BLOWER			
15		900105-08015	1	BOLT, H.S. 8*15	8*15		
16		100143-19830	1	WASHER	8.2*31*0.8		
17		C662-000040	1	PIECE, LEVER			
18		V804-000070	4	BOLT, TORX 4	TB-4*20 12.9		
19		E100-000220	1	FAN,BLOWER			
20		E103-000690	1	CASE,FAN			
21		351335-20560	2	CUSHION			
22		C450-000410	1	CONTROL, THROTTLE			
23		C454-000190	1	ROD, THROTTLE			
24		X505-002310	1	LABEL,CAUTION	HOT CAUTION		

5. FAN CASE



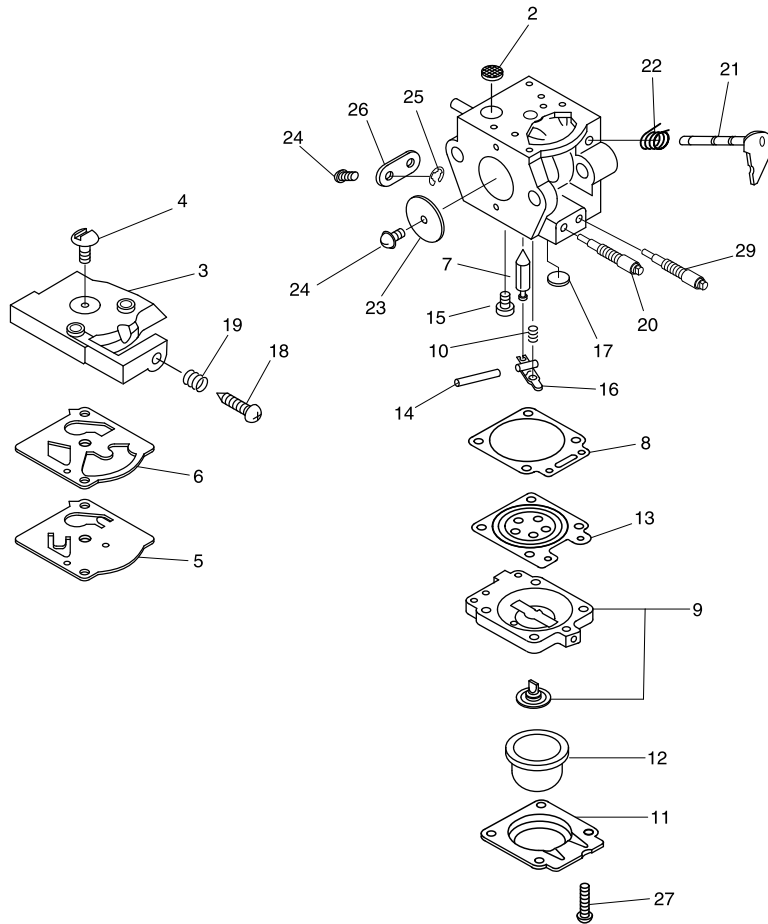
KEY	LV	PART NUMBER	Q'TY	DESCRIPTION	REMARKS	NOTE1	NOTE2
25		X413-000010	1	CUTTER,SHREDDER			
26		X413-000020	1	CUTTER,SHREDDER			
27		E165-000191	1	PIPE,BLOWER			
28		900605-00005	1	WASHER, SPRING 5	5		
29		E165-000380	1	PIPE,BLOWER			
30	+	E178-000050	1	GUARD,PIPE			
31	+	E165-000390	1	PIPE,BLOWER			
32	+	V583-000080	1	RING	CE-5		
33		895410-06960	1	WRENCH, W/S-DRIVER			
34		V420-001440	1	CUSHION			
35		C410-001020	1	HANDLE, REAR			
36		V299-000290	1	KNOB,FASTENER	1 KNOB M5X0.8		
37		900720-00003	1	O-RING P-3	P-3		
38		V452-000370	1	SPRING,TORSION			
39		900562-50005	2	LOCKNUT 5	5		
40		900603-00005	2	WASHER 5	5.5*12*0.8		
41		A446-000000	1	LEVER, ACTUATOR			
42		A045-000590	1	SWITCH, ON OFF			
43		A473-000050	1	LID, SWITCH CASE			
44		V804-000010	2	BOLT, TORX 4	TT-4*16 DG 10.9		
45		V162-000580	1	PLUG			
46		V805-000230	2	BOLT, TORX 5	TT-5*25 DG 10.9		

6. PIPE, ACCESSORIES



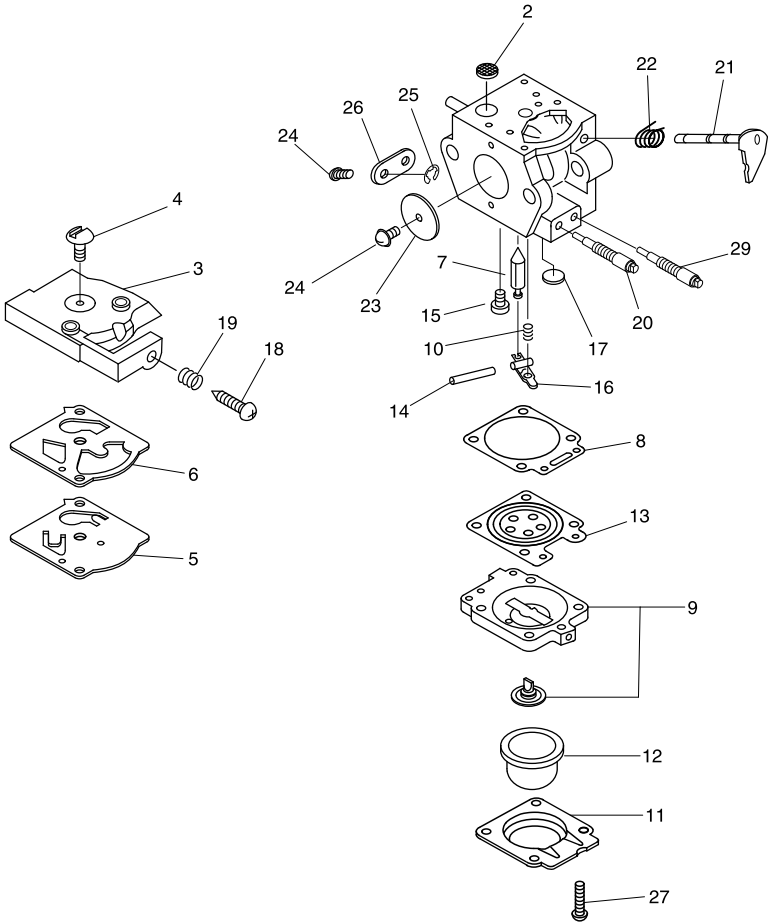
KEY	LV	PART NUMBER	Q'TY	DESCRIPTION	REMARKS	NOTE1	NOTE2
1		E160-000170	1	PIPE,MAIN			
2		E180-000011	1	PIPE,SUCTION			
3		X503-008950	2	LABEL,MODEL			
4		X692-000022	1	BAG,DUST	ECHO BAG - BLACK		

7. CARBURETOR



KEY	LV	PART NUMBER	Q'TY	DESCRIPTION	REMARKS	NOTE1	NOTE2
		A021-001881	1	CARBURETOR,DIAPHRAGM	WTA-33		
2	+	123126-10631	1	SCREEN, INLET			
3	+	P003-003830	1	COVER PUMP			
4	+	123110-03930	1	SCREW, PUMP COVER			
5	+	123112-15030	1	DIAPHRAGM, FUEL PUMP			
6	+	123125-15030	1	GASKET, FUEL PUMP			
7	+	123137-19830	1	VALVE, INLET NEEDLE			
8	+	P003-003840	1	GASKET, M. DIAPHRAGM			
9	+	P003-003850	1	BODY, AIR PURGE			
10	+	P003-003860	1	SPRING			
11	+	123142-05560	1	COVER, PRIMER PUMP			
12	+	123181-40630	1	PUMP, PRIMER			
13	+	P003-001850	1	DIAPHRAGM, METERING			
14	+	123138-03930	1	PIN, METERING LEVER			
15	+	123139-03930	1	SCREW, M. LEVER PIN			
16	+	123123-03930	1	LEVER, METERING			
17	+	123146-10631	1	PLUG, WELCH			
18	+	P003-001400	1	SCREW, IDLE ADJUST			
19	+	123133-04260	1	SPRING, IDLE ADJUST			
20	+	P003-004010	1	NEEDLE			
21	+	P003-003880	1	SHAFT ASY, THROTTLE			
22	+	P003-003890	1	SPRING			
23	+	P003-003900	1	VALVE, THROTTLE			
24	+	123114-38830	2	SCREW			
25	+	123127-15030	1	RING			
26	+	P003-003910	1	THROTTLE, LEVER			

7. CARBURETOR



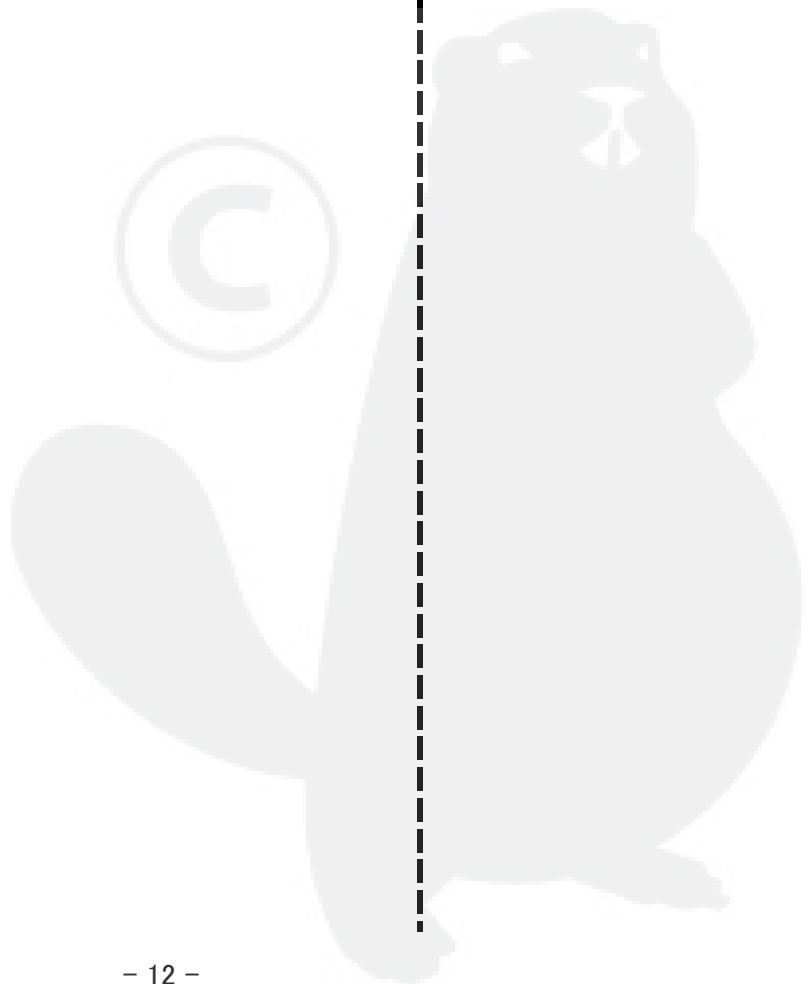
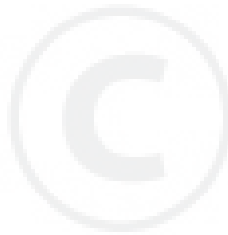
KEY	LV	PART NUMBER	Q'TY	DESCRIPTION	REMARKS	NOTE1	NOTE2
27	+	123144-02960	4	SCREW			
29	+	P003-004020	1	NEEDLE			

Index

Patrs Number	Key No.	Patrs Number	Key No.	Patrs Number	Key No.
100014-11520	1 - 10	900562-50005	5 - 39	E180-000011	6 - 2
100015-04630	1 - 9	900602-00005	5 - 4	P003-001400	7 - 18
100143-19830	5 - 16	900603-00005	3 - 15	P003-001850	7 - 13
100212-42031	1 - 14	900603-00005	4 - 13	P003-003830	7 - 3
100215-03930	1 - 18	900603-00005	5 - 8	P003-003840	7 - 8
100242-42030	1 - 16	900603-00005	5 - 40	P003-003850	7 - 9
123110-03930	7 - 4	900605-00005	5 - 28	P003-003860	7 - 10
123112-15030	7 - 5	900720-00003	5 - 37	P003-003880	7 - 21
123114-38830	7 - 24	94035-36201	1 - 17	P003-003890	7 - 22
123123-03930	7 - 16	A011-000590	1 - 11	P003-003900	7 - 23
123125-15030	7 - 6	A021-001881	3 - 8	P003-003910	7 - 26
123126-10631	7 - 2	A021-001881	7 -	P003-004010	7 - 20
123127-15030	7 - 25	A045-000590	5 - 42	P003-004020	7 - 29
123133-04260	7 - 19	A051-000740	2 - 15	P021-004480	3 - 6
123137-19830	7 - 7	A052-000440	2 - 12	P021-008231	1 - 13
123138-03930	7 - 14	A101-000140	1 - 7	P021-017410	1 - 6
123139-03930	7 - 15	A115-000000	2 - 30	P022-006510	2 - 13
123142-05560	7 - 11	A130-001020	1 - 3	P022-006830	2 - 19
123144-02960	7 - 27	A160-001260	1 - 2	P022-008260	2 - 20
123146-10631	7 - 17	A190-000860	5 - 2	P022-008270	2 - 18
123181-40630	7 - 12	A200-000370	3 - 11	P022-008280	2 - 17
129011-52730	3 - 5	A226-001410	3 - 3	P022-020030	2 - 14
130313-05863	3 - 2	A300-000810	3 - 14	V100-000190	1 - 5
131004-55530	4 - 1	A310-000070	3 - 17	V103-000540	3 - 12
131005-20561	4 - 4	A313-000840	3 - 20	V103-000550	3 - 9
131016-55830	4 - 2	A313-001070	3 - 19	V104-000940	3 - 18
131051-56030	4 - 3	A313-001091	3 - 21	V104-000960	3 - 13
131205-07320	4 - 10	A356-000030	4 - 5	V137-000030	4 - 8
132010-49730	4 - 12	A409-000210	2 - 27	V150-002400	1 - 19
132012-04631	4 - 7	A411-000500	2 - 8	V162-000580	5 - 45
132013-09820	4 - 6	A425-000000	2 - 3	V203-000190	3 - 16
132013-09820	4 - 9	A440-001310	5 - 5	V299-000290	5 - 36
152115-05530	2 - 2	A446-000000	5 - 41	V376-001750	2 - 29
156110-04920	2 - 6	A473-000050	5 - 43	V420-001440	5 - 34
159011-03432	2 - 4	C410-001020	5 - 35	V452-000370	5 - 38
159012-03433	2 - 5	C450-000410	5 - 22	V471-002170	4 - 11
177220-42030	2 - 24	C453-000300	5 - 7	V475-006820	2 - 31
177227-42030	2 - 21	C454-000190	5 - 23	V485-002210	2 - 7
177228-27030	2 - 22	C662-000040	5 - 17	V485-002220	2 - 1
177236-61830	2 - 16	E100-000220	5 - 19	V486-000150	5 - 6
177246-11120	2 - 23	E101-000071	2 - 28	V583-000080	5 - 32
210417-52730	3 - 1	E103-000690	5 - 20	V606-000000	1 - 8
351335-20560	5 - 21	E103-000980	5 - 11	V804-000010	5 - 44
890332-52730	3 - 23	E104-000090	5 - 14	V804-000060	2 - 25
895410-06960	5 - 33	E160-000170	6 - 1	V804-000070	2 - 10
900105-08015	5 - 15	E165-000191	5 - 27	V804-000070	5 - 18
900162-05025	1 - 4	E165-000380	5 - 29	V804-000080	3 - 22
900162-05028	1 - 15	E165-000390	5 - 31	V805-000010	5 - 1
900562-50005	5 - 3	E178-000050	5 - 30	V805-000010	5 - 10

Index

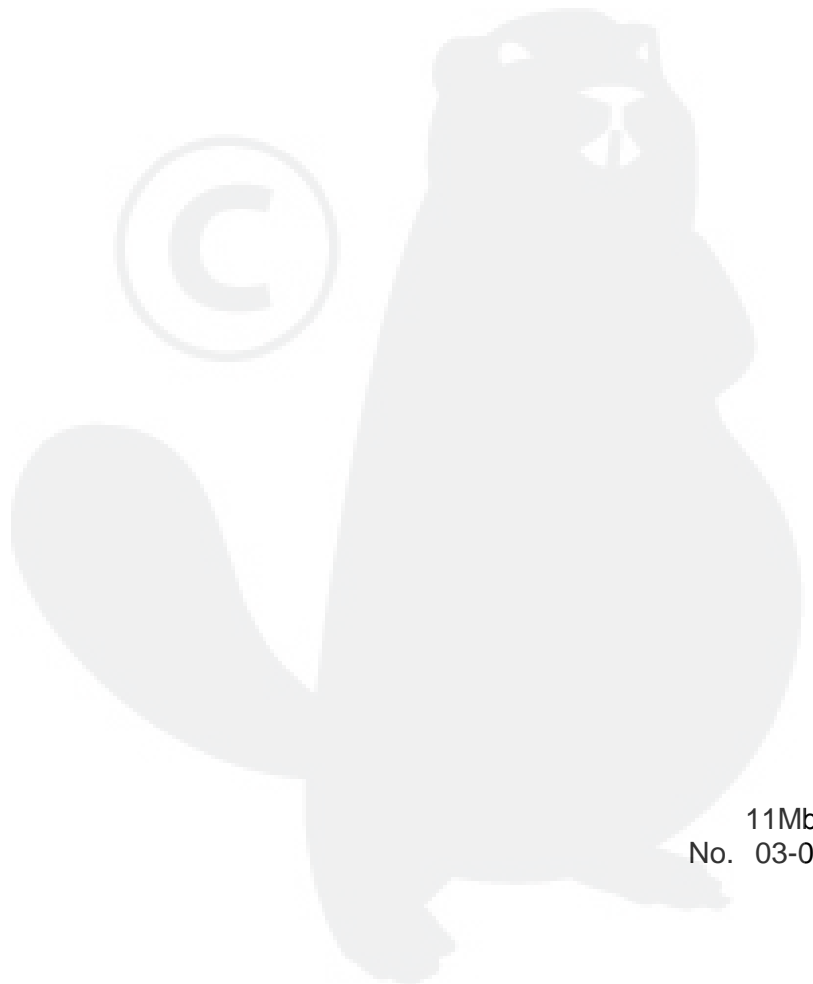
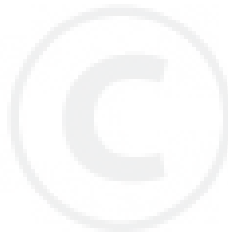
Patrs Number	Key No.	Patrs Number	Key No.	Patrs Number	Key No.
V805-000100	3 - 4				
V805-000120	1 - 1				
V805-000120	1 - 20				
V805-000150	4 - 14				
V805-000220	3 - 10				
V805-000220	5 - 9				
V805-000230	5 - 46				
X413-000010	5 - 25				
X413-000020	5 - 26				
X502-000330	2 - 26				
X503-008950	6 - 3				
X505-002080	5 - 12				
X505-002310	5 - 24				
X547-001830	5 - 13				
X692-000022	6 - 4				



YAMABIKO CORPORATION

7-2 SUEHIROCHO 1-CHOME, OHME, TOKYO 198-8760, JAPAN
PHONE: 81-428-32-6118. FAX: 81-428-32-6145.

ECHO®



11Mb
No. 03-018