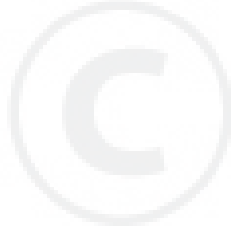




PARTS CATALOG

HANDHELD BLOWER

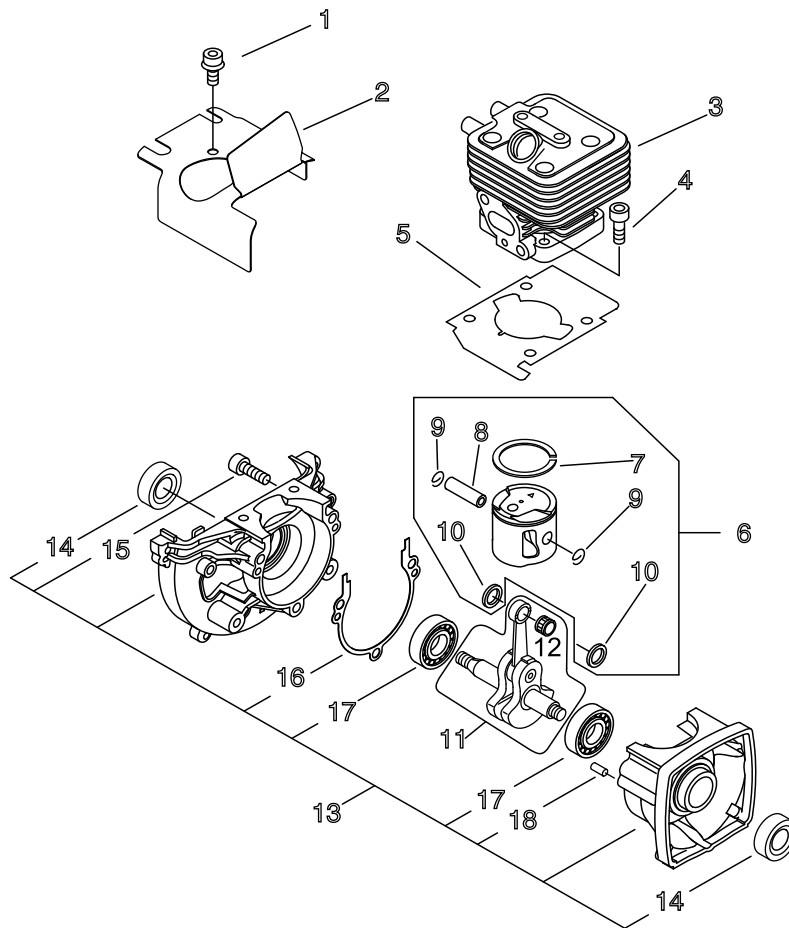
PB-255ES(37)



- 37006802

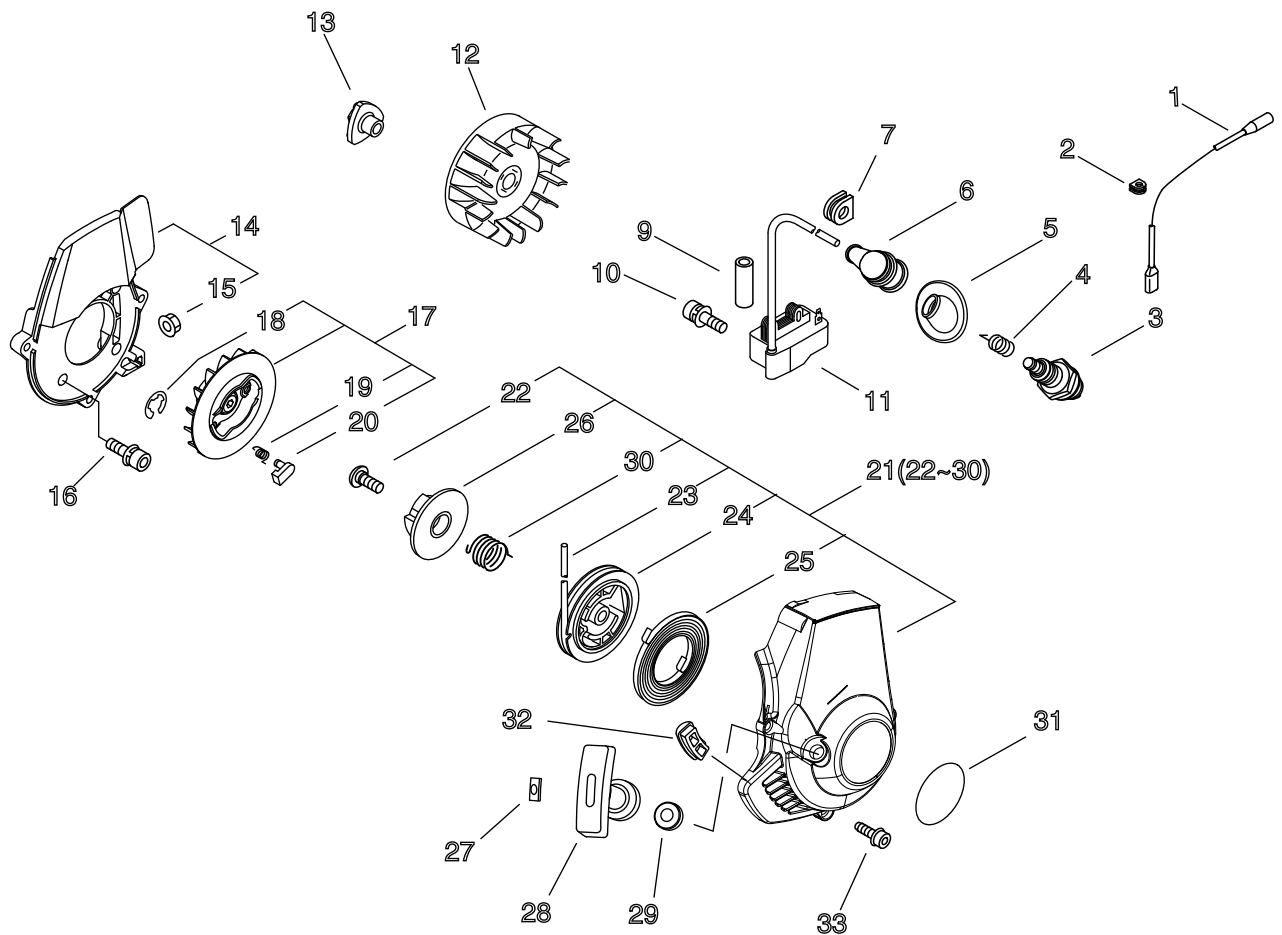
PB-255ES(37)

1. Cylinder, Crankcase, Piston



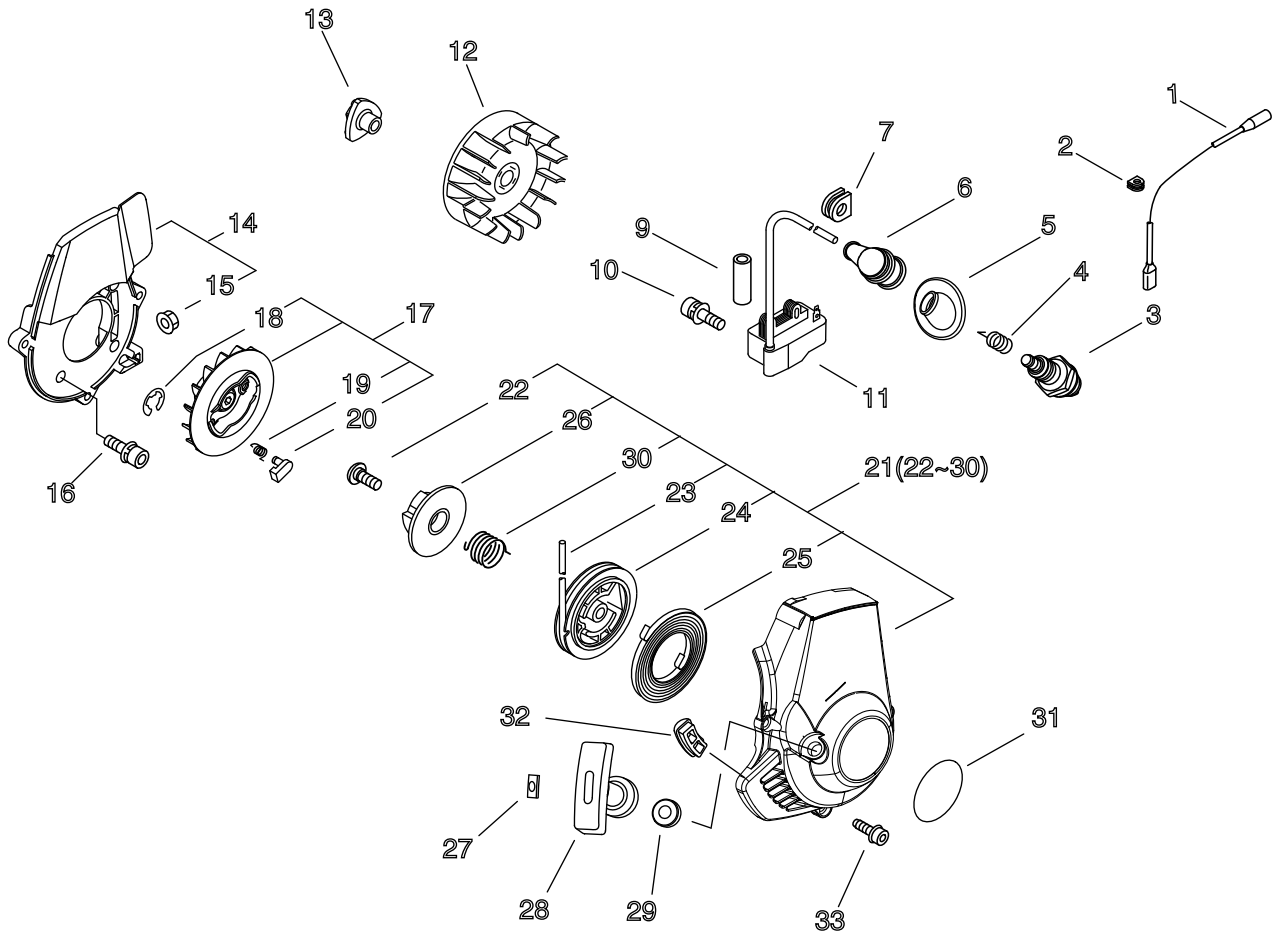
| KEY | LV | PART NUMBER | Q'TY | DESCRIPTION | REMARKS | NOTE1 | NOTE2 |
|-----|----|--------------|------|---------------------|----------------|---------------------|-------|
| 1 | | 900106-05008 | 2 | BOLT, H.S. 5* 8 | 5*8 | | |
| 2 | | A160-000821 | 1 | COVER,CYLINDER | | | |
| 3 | | A130-000780 | 1 | CYLINDER | | | |
| 4 | | 900162-05025 | 4 | BOLT, H.S. 5*25 | 5*25 W,SW | | |
| 5 | | V100-000190 | 1 | GASKET,CYL | | | |
| 6 | | P021-010260 | 1 | PISTON KIT | | | |
| 7 | + | A101-000140 | 1 | RING, PISTON | B1.2 T1.5 | | |
| 8 | + | V606-000000 | 1 | PIN,ENG 8 | 5*8*28 | | |
| 9 | + | 100015-04630 | 2 | CIRCLIP, PISTON PIN | | | |
| 10 | + | 100014-11520 | 2 | SPACER, PISTON PIN | | | |
| 11 | | A011-000371 | 1 | CRANKSHAFT,ASM | | | |
| 12 | + | V553-000010 | 1 | BEARING,NEEDLE 8 | HK0810 | Sus. by V553-000060 | |
| 13 | | P021-008231 | 1 | CRANKCASE KIT | | | |
| 14 | + | 100212-42031 | 2 | OILSEAL | ISCD 12*22*4.5 | | |
| 15 | + | 900162-05028 | 3 | BOLT, H.S. 5*28 | 5*28 W,SW | | |
| 16 | + | 100242-42030 | 1 | GASKET, CRANKCASE | | | |
| 17 | + | 94035-36201 | 2 | BEARING BALL | 6201X3JR2C3 | | |
| 18 | + | 100215-03930 | 2 | PIN, DOWEL | | | |

2. Starter, Magneto



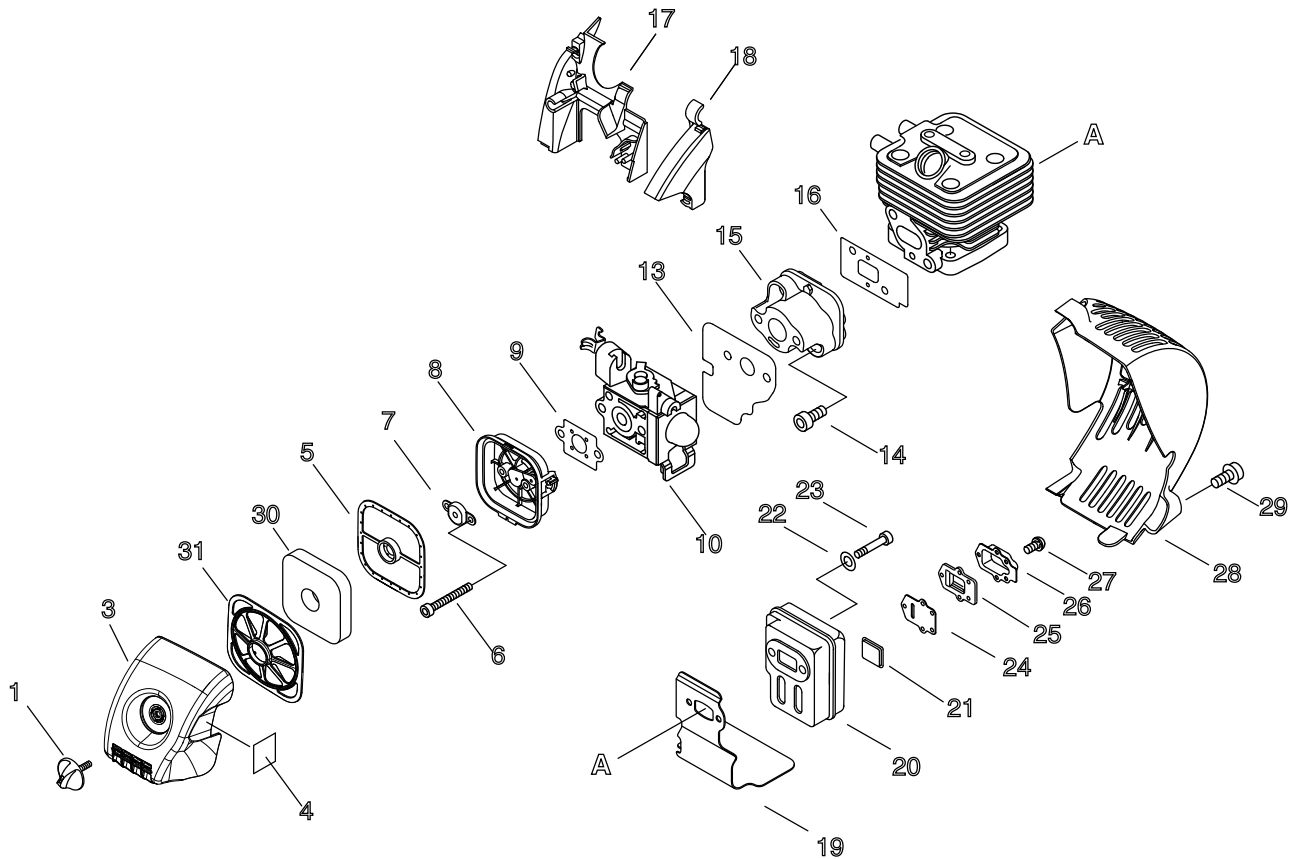
| KEY | LV | PART NUMBER | Q'TY | DESCRIPTION | REMARKS | NOTE1 | NOTE2 |
|-----|----|--------------|------|---------------------|---------------------|---------------------|-------|
| 1 | | V485-000960 | 1 | LEAD | | | |
| 2 | | 152115-05530 | 1 | BUSHING | | | |
| 3 | | A425-000000 | 1 | SPARKPLUG | BPMR8Y | | |
| 4 | | A426-000010 | 1 | TERMINAL, SPARKPLUG | | | |
| 5 | | A429-000010 | 1 | COVER, CAP | | | |
| 6 | | A427-000012 | 1 | CAP, SPARK PLUG | | Sus. by A427-000013 | |
| 7 | | 156110-04920 | 1 | BUSHING | | | |
| 9 | | V475-003380 | 1 | TUBE | | | |
| 10 | | 91113-04020 | 2 | BOLT | CM-4*20 SW,W | | |
| 11 | | A411-000290 | 1 | COIL, IGNITION | EMG-60 ID#C10146 | | |
| 12 | | A409-000210 | 1 | ROTOR, MAGNETO | | | |
| 13 | | E101-000071 | 1 | HUB, FAN | M8*1.25 | | |
| 14 | | P021-013780 | 1 | SPACER | | | |
| 15 | + | V263-000070 | 1 | NUT, 5 | | | |
| 16 | + | 900163-04016 | 4 | BOLT HSH | | | |
| 17 | | A052-000200 | 1 | PULLEY, ASM STARTER | | | |
| 18 | + | P022-002100 | 2 | E-RING | 4 | | |
| 19 | + | 177234-12220 | 2 | SPRING, PAWL | | | |
| 20 | + | P022-006850 | 2 | PAWL, STARTER | | | |
| 21 | | A051-001180 | 1 | STARTER, RECOIL ASY | | | |
| 22 | + | 177236-61830 | 1 | SCREW | | | |
| 23 | + | P022-008260 | 1 | ROPE | 3M/M | | |
| 24 | + | P022-006830 | 1 | DRUM | | | |
| 25 | + | 177220-42030 | 1 | SPRING, REWIND | | | |

2. Starter, Magneto



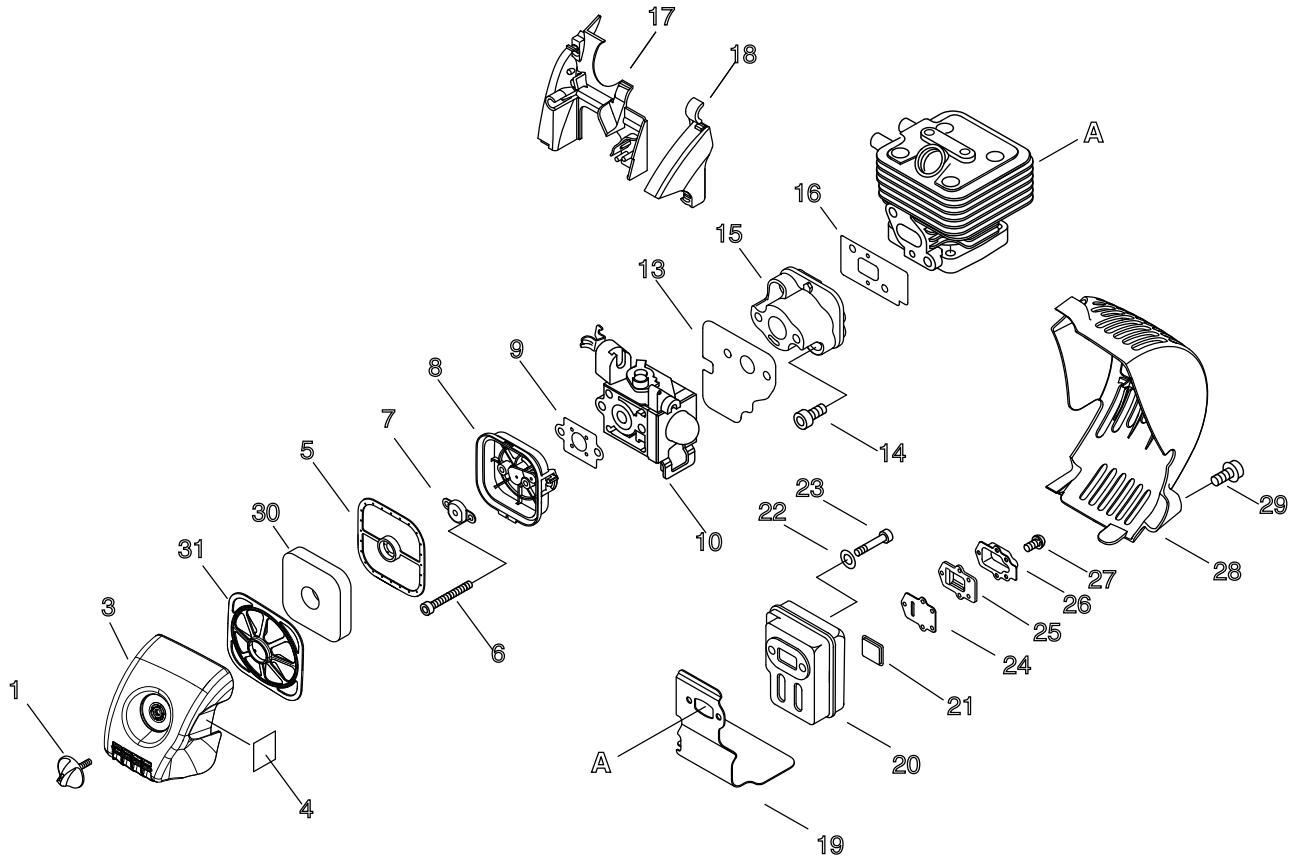
| KEY | LV | PART NUMBER | Q'TY | DESCRIPTION | REMARKS | NOTE1 | NOTE2 |
|-----|----|--------------|------|--------------------|---------|-------|-------|
| 26 | + | P022-008280 | 1 | PLATE, CAM | | | |
| 27 | + | 177246-11120 | 1 | CLIP, STARTER ROPE | | | |
| 28 | + | 177228-27030 | 1 | GRIP, STARTER | | | |
| 29 | + | 177227-42030 | 1 | GUIDE, ROPE | | | |
| 30 | + | P022-008270 | 1 | SPRING, DAMPER | | | |
| 31 | | X502-000330 | 1 | LABEL, ECHO | ECHO | | |
| 32 | | V420-001440 | 1 | CUSHION | | | |
| 33 | | 900106-05014 | 3 | BOLT, H.S. 5*14 | 5*14 | | |

3. Air Cleaner, Carbuertor, Muffler



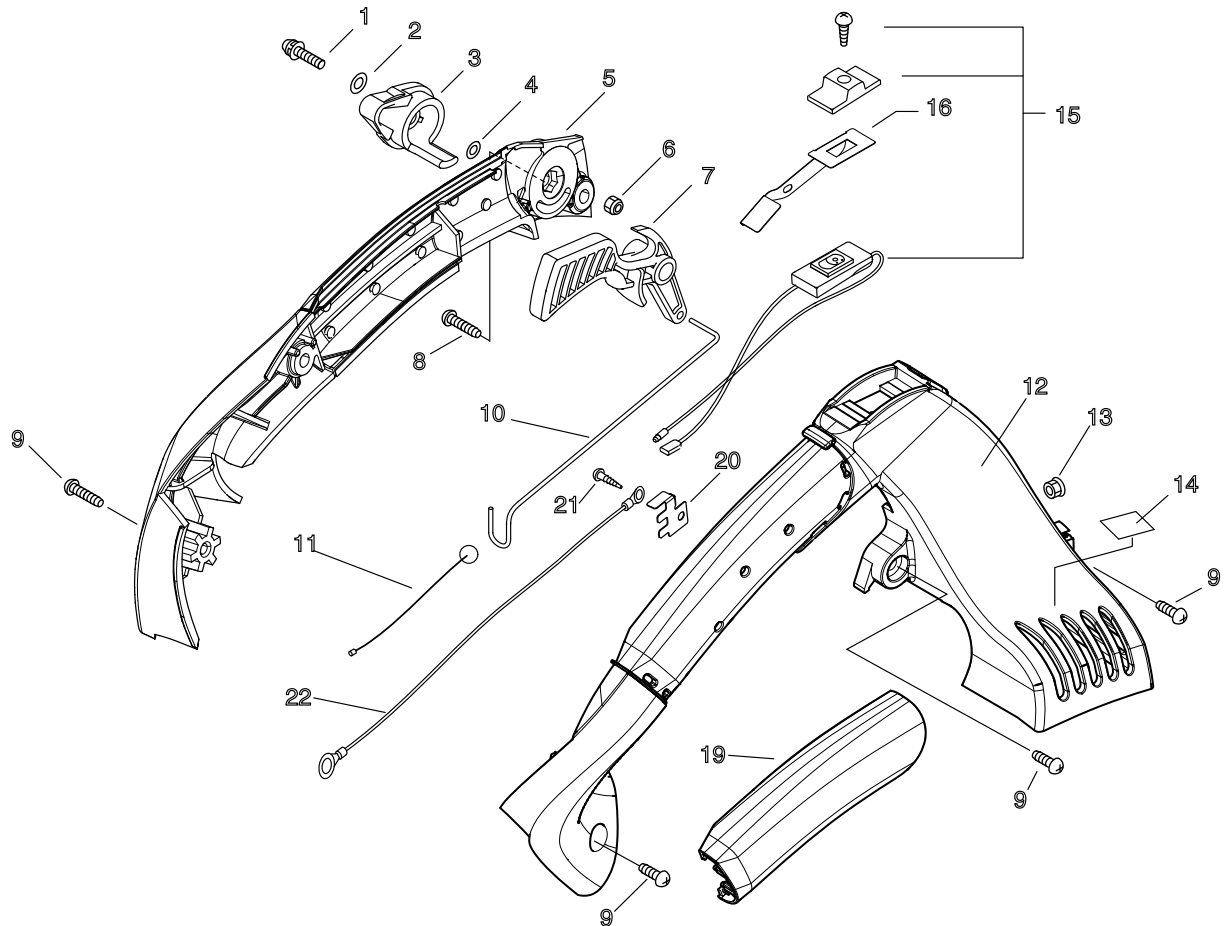
| KEY | LV | PART NUMBER | Q'TY | DESCRIPTION | REMARKS | NOTE1 | NOTE2 |
|-----|----|--------------|------|----------------------|--------------|-------|-------|
| 1 | | V299-000250 | 1 | KNOB,FASTENER | | | |
| 3 | | A232-000440 | 1 | LID,CLEANER | | | |
| 4 | | X506-000090 | 1 | LABEL,CHOKE | | | |
| 5 | | A226-000350 | 1 | ELEMENT, AIR FILTER | | | |
| 6 | | 900105-05060 | 2 | BOLT, H.S. 5*60 | 5*60 | | |
| 7 | | A244-000070 | 1 | PLATE,PREVENT | | | |
| 8 | | P021-010980 | 1 | CLEANER CASE ASY | | | |
| 9 | | 130016-42031 | 1 | GASKET, INTAKE | | | |
| 10 | | A021-001590 | 1 | CARBURETOR,DIAPHRAGM | | | |
| 13 | | V103-000400 | 1 | GASKET,INTAKE | | | |
| 14 | | 900162-05025 | 2 | BOLT, H.S. 5*25 | 5*25 W,SW | | |
| 15 | | A200-000280 | 1 | INSULATOR, INTAKE | | | |
| 16 | | V103-000390 | 1 | GASKET,INTAKE | | | |
| 17 | | A160-000830 | 1 | COVER,CYLINDER | | | |
| 18 | | C459-000010 | 1 | COVER,THROTTLE | | | |
| 19 | | V104-000820 | 1 | GASKET,EXHAUST | NP7002 | | |
| 20 | | A300-000141 | 1 | MUFFLER,EXHAUST | | | |
| 21 | | A310-000070 | 1 | SCREEN, ARRESTOR | 22*28*3 | | |
| 22 | | 900603-00005 | 2 | WASHER 5 | 5.5*12*0.8 | | |
| 23 | | V203-000190 | 2 | BOLT,5 | AN A2-70 | | |
| 24 | | V104-000830 | 1 | GASKET,EXHAUST | | | |
| 25 | | A313-000910 | 1 | GUIDE, EXHAUST | | | |
| 26 | | A313-000920 | 1 | GUIDE, EXHAUST | | | |
| 27 | | 91367-04010 | 5 | SCREW | 4*10/SW(SUS) | | |
| 28 | | P021-011200 | 1 | COVER,MUFFLER KIT | | | |
| 29 | | 900106-05014 | 2 | BOLT, H.S. 5*14 | 5*14 | | |

3. Air Cleaner, Carbuertor, Muffler



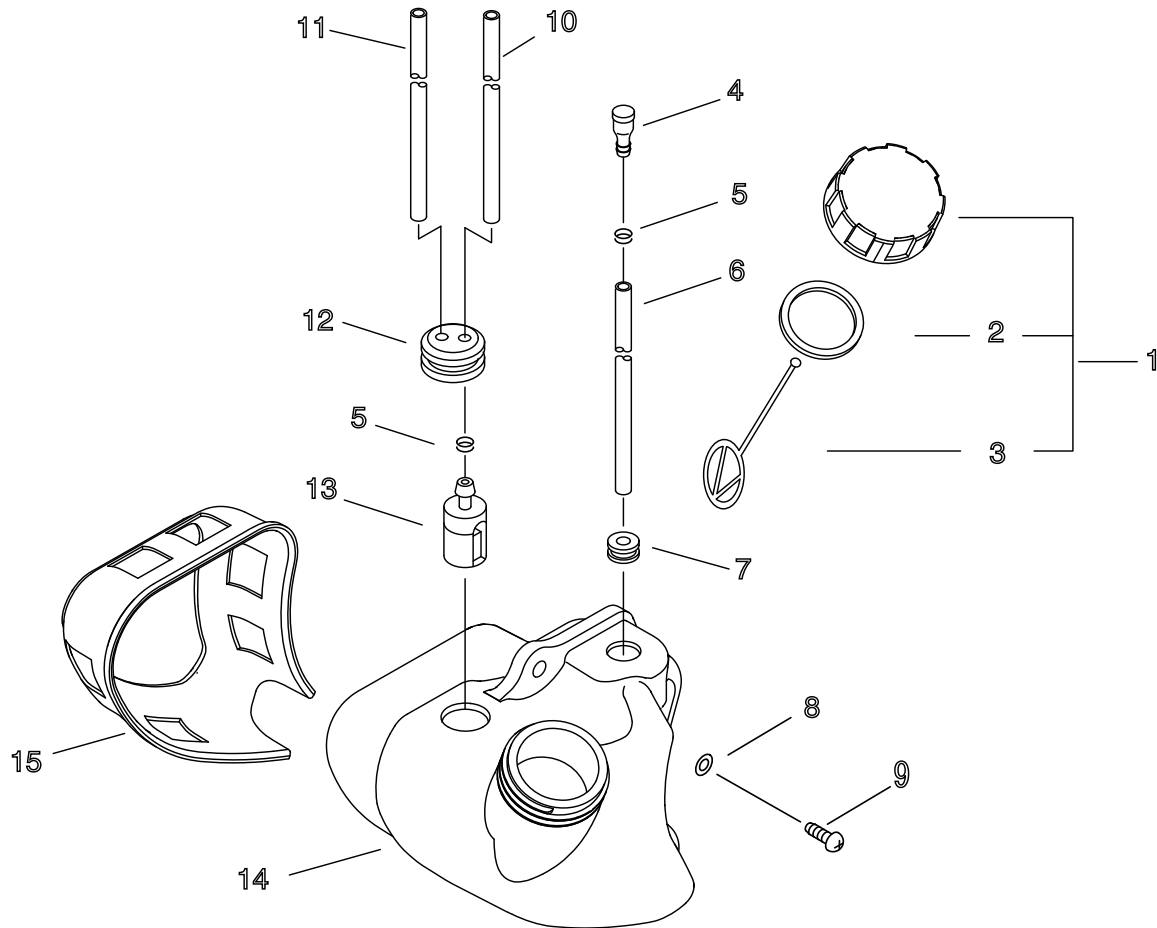
| KEY | LV | PART NUMBER | Q'TY | DESCRIPTION | REMARKS | NOTE1 | NOTE2 |
|-----|----|-------------|------|---------------------|---------|-------|-------|
| 30 | | A226-000370 | 1 | ELEMENT, AIR FILTER | | | |
| 31 | | A227-000000 | 1 | PLATE, ELEMENT | | | |

4. Handle



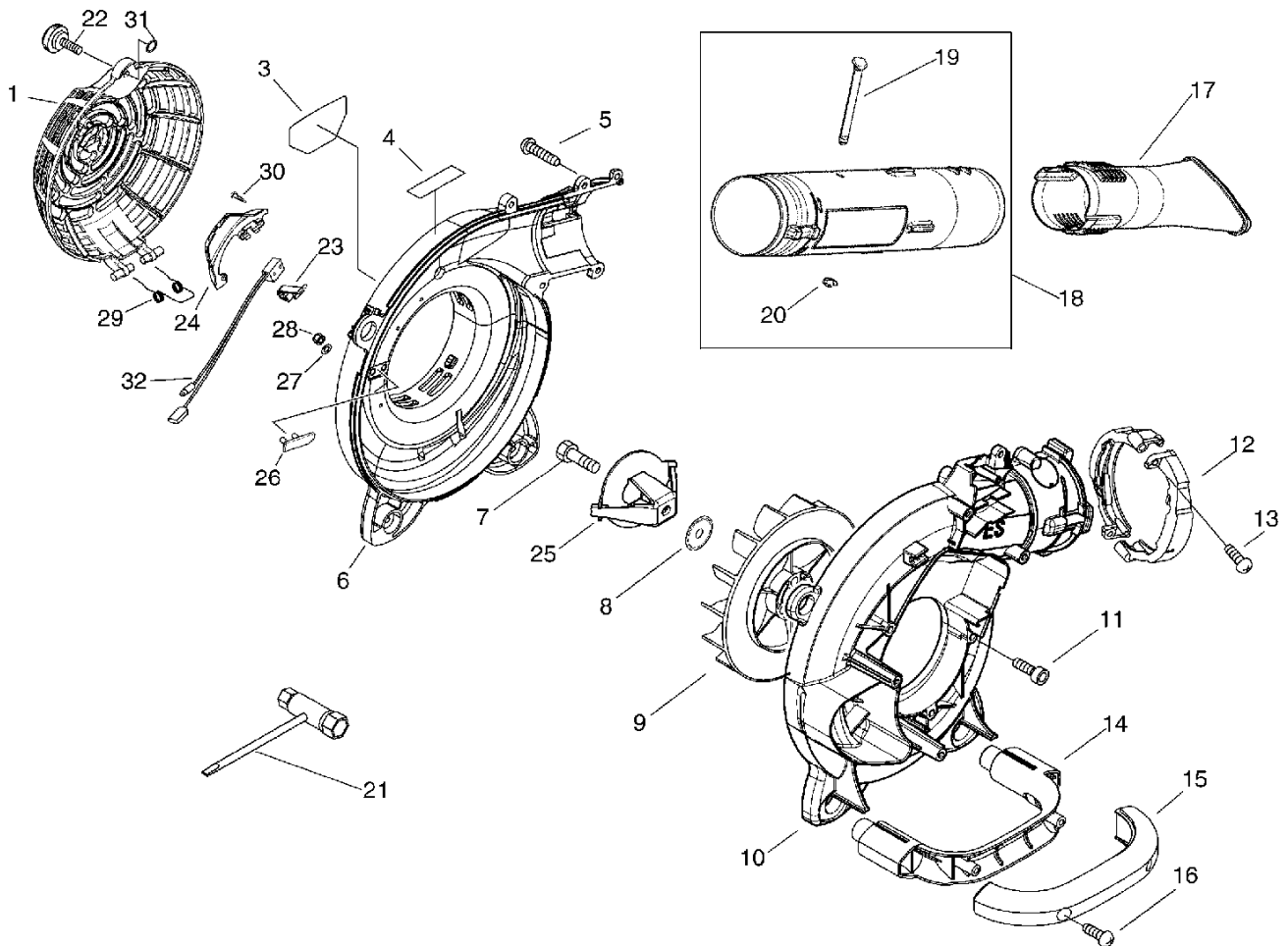
| KEY | LV | PART NUMBER | Q'TY | DESCRIPTION | REMARKS | NOTE1 | NOTE2 |
|-----|----|--------------|------|-------------------|-------------|---------------------|-------|
| 1 | | 900238-05025 | 1 | SCREW 5*25 | 5*25 | | |
| 2 | | 900602-00005 | 1 | WASHER 5 | 5.3*10*1 | | |
| 3 | | C453-000260 | 1 | LEVER, THROTTLE | | | |
| 4 | | 900603-00005 | 1 | WASHER 5 | 5.5*12*0.8 | | |
| 5 | | C411-000020 | 1 | LID,HANDLE | | Sus. by C411-000021 | |
| 5 | | C411-000021 | 1 | LID,HANDLE | | | |
| 6 | | 900562-50005 | 1 | LOCKNUT 5 | 5 | | |
| 7 | | C450-000241 | 1 | CONTROL, THROTTLE | | | |
| 8 | | 900253-05025 | 1 | SCREW 5*25 | 5*25 | | |
| 9 | | 900253-05020 | 4 | SCREW 5*20 | 5*20 | | |
| 10 | | C454-000130 | 1 | ROD, THROTTLE | | | |
| 11 | | V431-000000 | 1 | CABLE,INNER | | | |
| 12 | | C400-000490 | 1 | HANDLE, FRONT | | | |
| 13 | | V263-000070 | 1 | NUT,5 | | | |
| 14 | | X505-002310 | 1 | LABEL,CAUTION | HOT CAUTION | | |
| 15 | | A440-001010 | 1 | SWITCH, ON OFF | | | |
| 16 | | V486-000110 | 1 | TERMINAL,LEAD | | | |
| 19 | | C412-000150 | 1 | GRIP, HANDLE | | | |
| 20 | | V486-000120 | 1 | TERMINAL,LEAD | | | |
| 21 | | 900253-04010 | 1 | SCREW 4*10 | 4*10 | | |
| 22 | | V485-000370 | 1 | LEAD | | | |

5. FUEL TANK



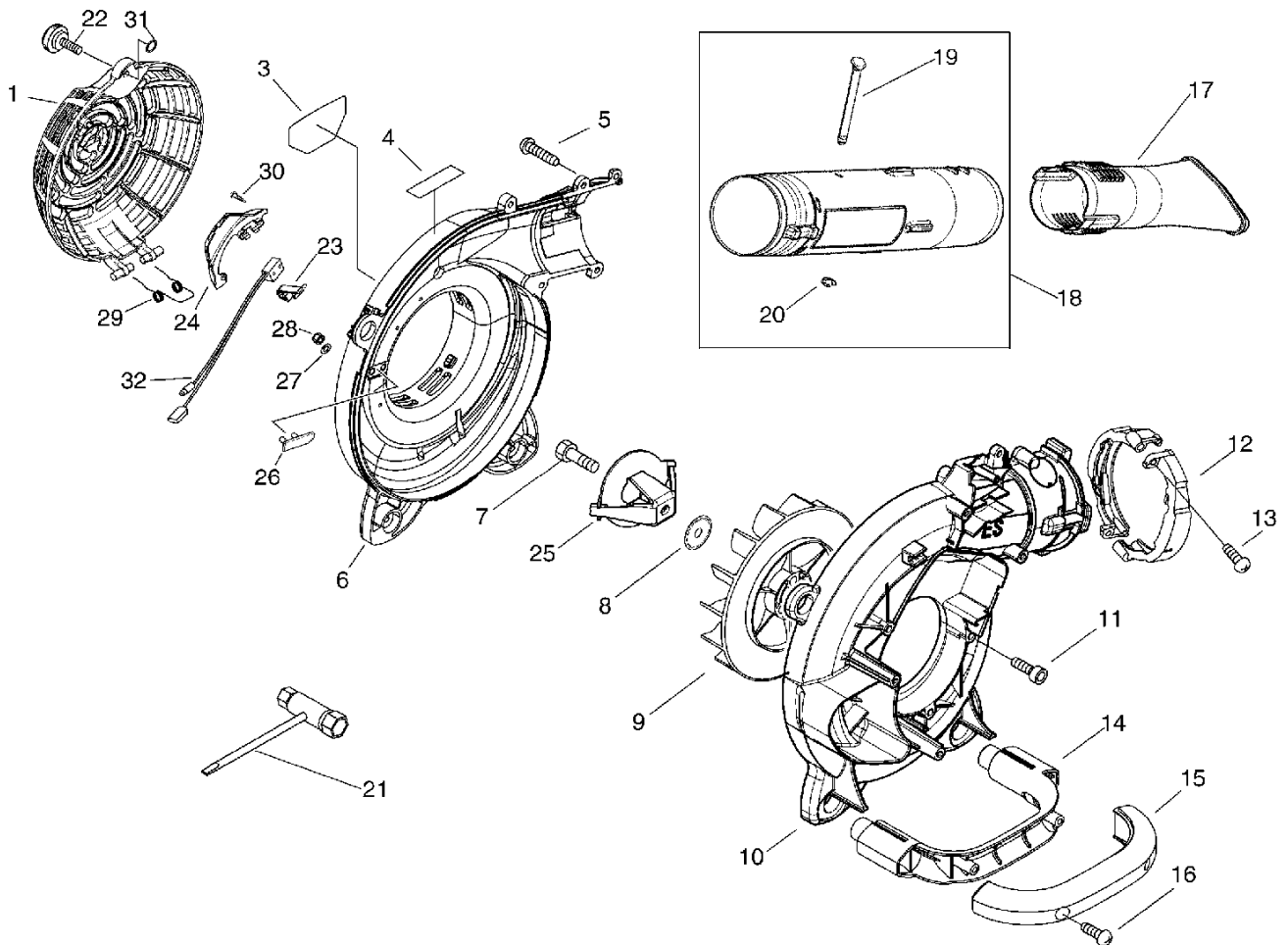
| KEY | LV | PART NUMBER | Q'TY | DESCRIPTION | REMARKS | NOTE1 | NOTE2 |
|-----|----|--------------|------|---------------------|------------|-------|-------|
| 1 | | 131004-55530 | 1 | CAP ASSY, FUEL TANK | | | |
| 2 | + | 131016-55830 | 1 | GASKET, FUEL CAP | | | |
| 3 | + | 131051-56030 | 1 | CLIP, FUEL CAP | 100L | | |
| 4 | | A356-000030 | 1 | VALVE,CHECK | | | |
| 5 | | 132013-09820 | 2 | CLIP | 6MM | | |
| 6 | | V471-001220 | 1 | PIPE | 3*5*50 NBR | | |
| 7 | | 132115-01461 | 1 | GROMMET | | | |
| 8 | | 900603-00005 | 2 | WASHER 5 | 5.5*12*0.8 | | |
| 9 | | 900253-05020 | 2 | SCREW 5*20 | 5*20 | | |
| 10 | | V471-001860 | 1 | PIPE | 3*5*175 | | |
| 11 | | 132010-49730 | 1 | PIPE 3*6*85 | 3*6*85 YL | | |
| 12 | | 132115-44330 | 1 | GROMMET | | | |
| 13 | | 131205-07320 | 1 | STRAINER, FUEL | | | |
| 14 | | A350-000550 | 1 | TANK, FUEL | | | |
| 15 | | V420-001430 | 1 | CUSHION | | | |

6. Fan Case, Blower Pipe(Sr/Nr 37005400 and befor)



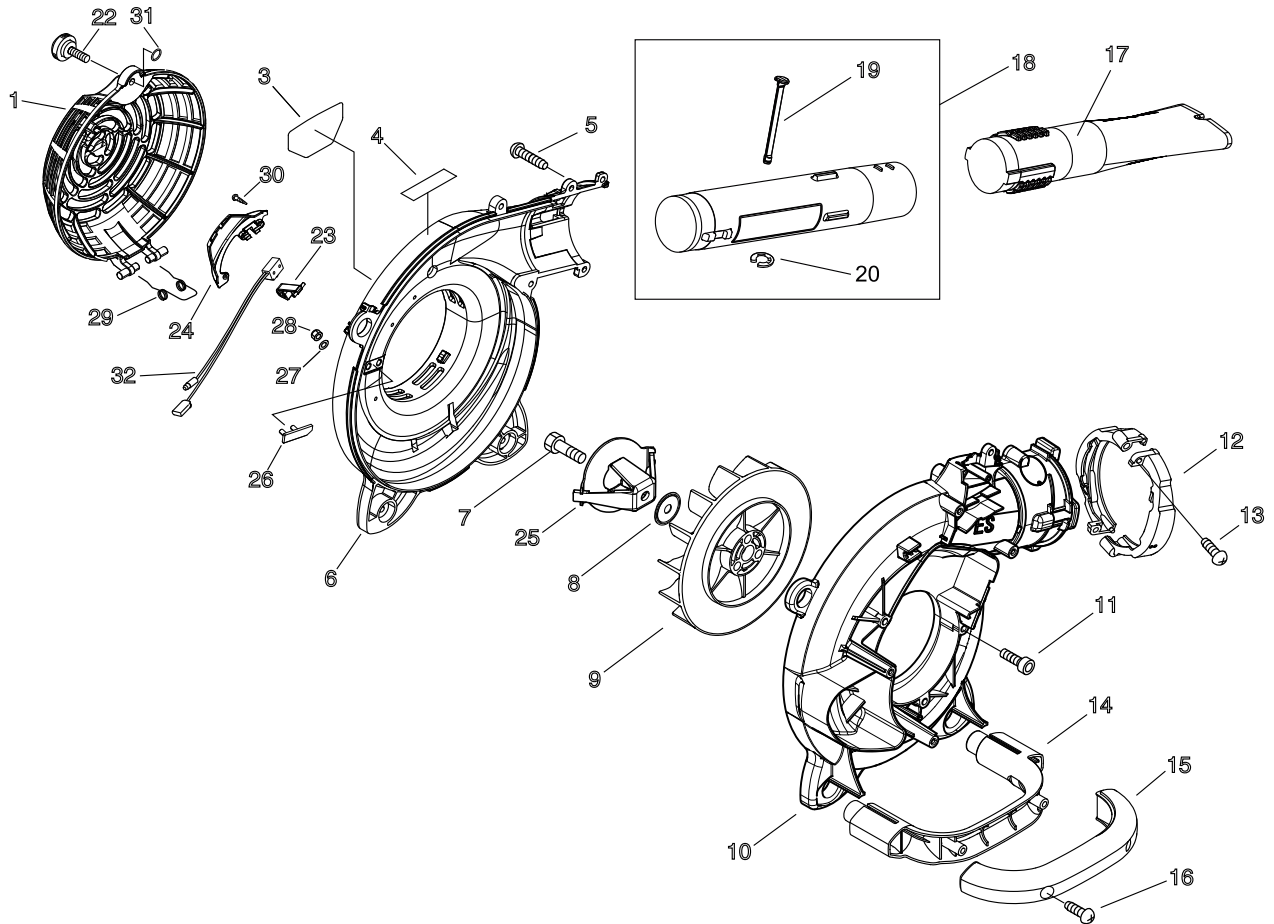
| KEY | LV | PART NUMBER | Q'TY | DESCRIPTION | REMARKS | NOTE1 | NOTE2 |
|-----|----|--------------|------|--------------------|------------|---|-------|
| 1 | | E104-000090 | 1 | GRID, BLOWER | | | |
| 3 | | X547-000850 | 1 | LABEL,ECHO | PB-255ES | | |
| 4 | | X505-002080 | 1 | LABEL,CAUTION | | | |
| 5 | | 900253-05020 | 7 | SCREW 5*20 | 5*20 | | |
| 6 | | E103-000490 | 1 | CASE,FAN | | | |
| 7 | | 900105-08015 | 1 | BOLT, H.S. 8*15 | 8*15 | | |
| 8 | | 100143-19830 | 1 | WASHER | 8.2*31*0.8 | | |
| 9 | | E100-000063 | 1 | FAN,BLOWER | | | |
| 10 | | E103-000500 | 1 | CASE,FAN | | Sus. by E103-000501 | |
| 10 | | E103-000501 | 1 | CASE,FAN | | | |
| 11 | | 900162-04020 | 4 | BOLT, H.S. 4*20 | 4*20 W,SW | | |
| 12 | | E162-000000 | 2 | FIXTURE, BLOW PIPE | | | |
| 13 | | 900253-05020 | 2 | SCREW 5*20 | 5*20 | | |
| 14 | | C410-000390 | 1 | HANDLE, REAR | | Sus. by C410-000391 | |
| 15 | | C410-000400 | 1 | HANDLE, REAR | | | |
| 16 | | 900253-05020 | 2 | SCREW 5*20 | 5*20 | | |
| 17 | | E165-000190 | 1 | PIPE,BLOWER | | Sr/Nr 37005400 and before,Sus. by E165-000191 | |
| 18 | | E165-000210 | 1 | PIPE,BLOWER | | | |
| 19 | + | E178-000050 | 1 | GUARD,PIPE | | | |
| 20 | + | V583-000080 | 1 | RING | CE-5 | | |
| 21 | | 895410-06960 | 1 | WRENCH, W/S-DRIVER | | | |

6. Fan Case, Blower Pipe(Sr/Nr 37005400 and befor)



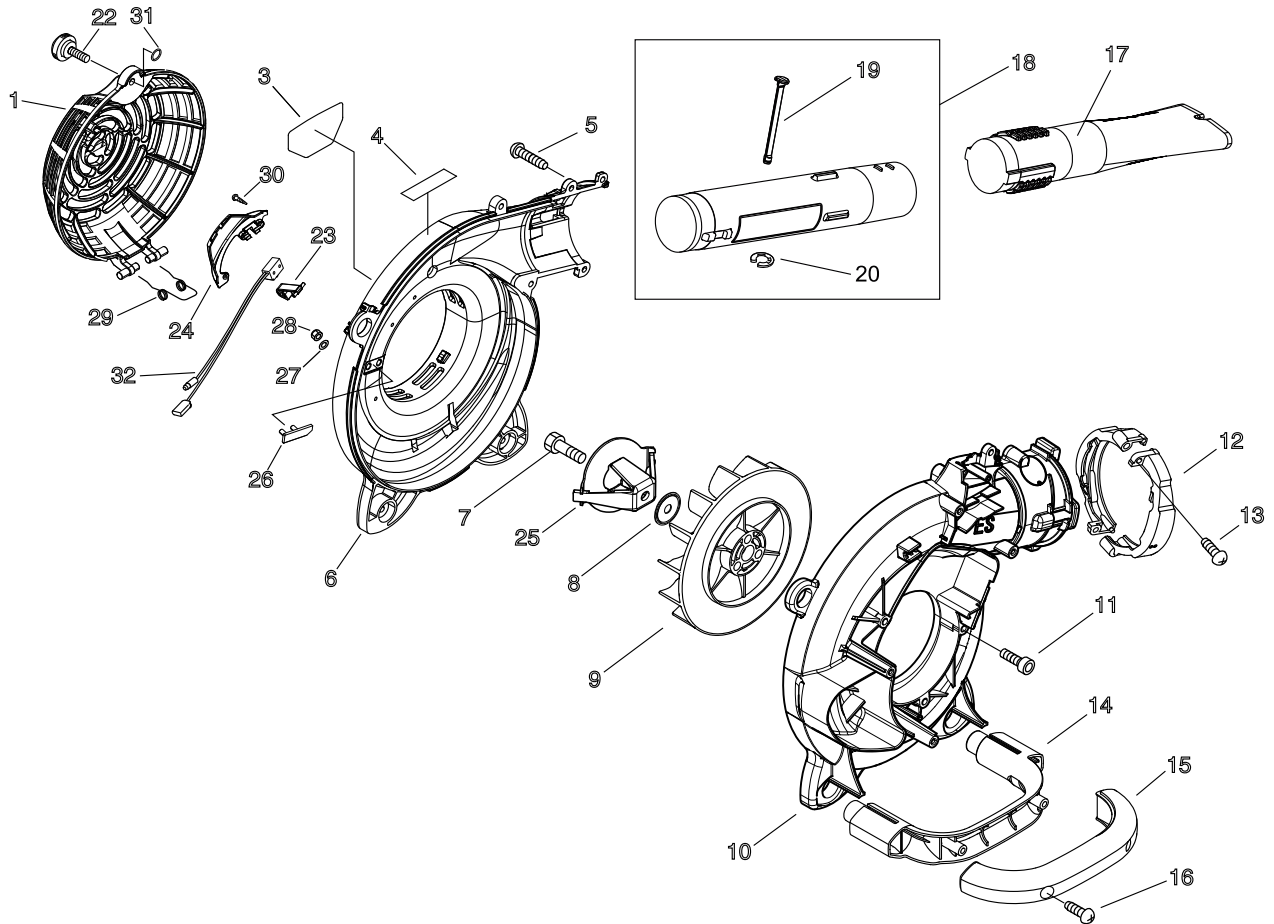
| KEY | LV | PART NUMBER | Q'TY | DESCRIPTION | REMARKS | NOTE1 | NOTE2 |
|-----|----|--------------|------|------------------|---------------|---------------------|-------|
| 22 | | V299-000290 | 1 | KNOB,FASTENER | 1 KNOB M5X0.8 | | |
| 23 | | A446-000000 | 1 | LEVER, ACTUATOR | | | |
| 24 | | A473-000020 | 1 | LID, SWITCH CASE | | | |
| 25 | | X413-000030 | 1 | CUTTER, SHREDDER | | Sus. by X413-000031 | |
| 25 | | X413-000031 | 1 | CUTTER, SHREDDER | | | |
| 27 | | 900603-00005 | 2 | WASHER 5 | 5.5*12*0.8 | | |
| 28 | | 900562-50005 | 2 | LOCKNUT 5 | 5 | | |
| 29 | | V452-000370 | 1 | SPRING, TORSION | | | |
| 30 | | 900256-04016 | 3 | SCREW 4*16 | 4*16 | | |
| 31 | | 900720-00003 | 1 | O-RING P-3 | P-3 | | |
| 32 | | A045-000170 | 1 | SWITCH, ON OFF | | | |

7. Fan Case, Blower Pipe(Sr/Nr 37005401 and after)



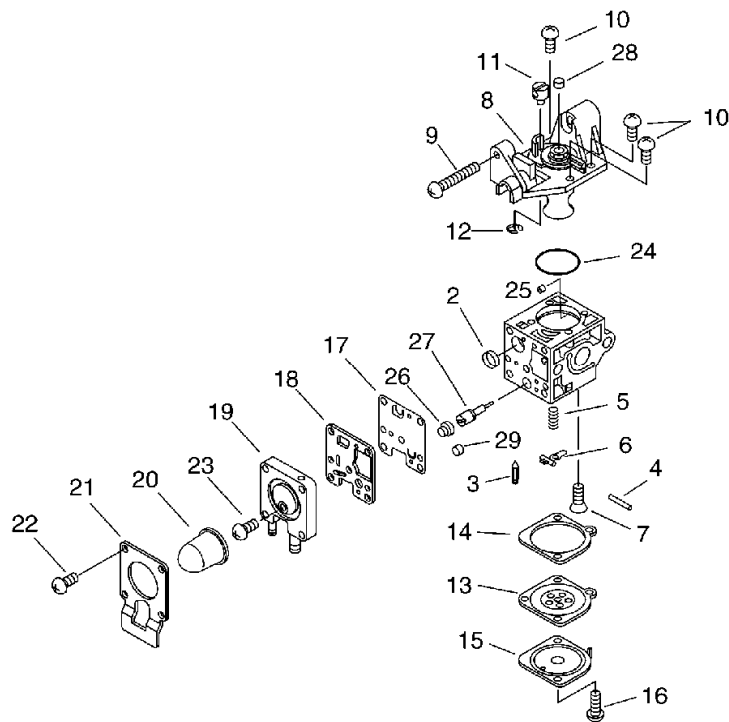
| KEY | LV | PART NUMBER | Q'TY | DESCRIPTION | REMARKS | NOTE1 | NOTE2 |
|-----|----|--------------|------|--------------------|---------------|-----------------------------|-------|
| 1 | | E104-000090 | 1 | GRID, BLOWER | | | |
| 3 | | X547-000850 | 1 | LABEL,ECHO | PB-255ES | | |
| 4 | | X505-002080 | 1 | LABEL,CAUTION | | | |
| 5 | | 900253-05020 | 7 | SCREW 5*20 | 5*20 | | |
| 5 | | 900253-05020 | 4 | SCREW 5*20 | 5*20 | | |
| 6 | | E103-000490 | 1 | CASE,FAN | | | |
| 7 | | 900105-08015 | 1 | BOLT, H.S. 8*15 | 8*15 | | |
| 8 | | 100143-19830 | 1 | WASHER | 8.2*31*0.8 | | |
| 9 | | E100-000063 | 1 | FAN,BLOWER | | | |
| 10 | | E103-000501 | 1 | CASE,FAN | | | |
| 11 | | 900162-04020 | 4 | BOLT, H.S. 4*20 | 4*20 W,SW | | |
| 12 | | E162-000000 | 2 | FIXTURE, BLOW PIPE | | | |
| 13 | | 900253-05020 | 2 | SCREW 5*20 | 5*20 | | |
| 14 | | C410-000390 | 1 | HANDLE, REAR | | | |
| 14 | | C410-000391 | 1 | HANDLE, REAR | | | |
| 15 | | C410-000400 | 1 | HANDLE, REAR | | | |
| 16 | | 900253-05020 | 2 | SCREW 5*20 | 5*20 | | |
| 17 | | E165-000191 | 1 | PIPE,BLOWER | | Sr/Nr 37005401 and after | |
| 18 | | E165-000210 | 1 | PIPE,BLOWER | | | |
| 19 | + | E178-000050 | 1 | GUARD,PIPE | | | |
| 20 | + | V583-000080 | 1 | RING | CE-5 | | |
| 21 | | 895410-06960 | 1 | WRENCH, W/S-DRIVER | | | |
| 22 | | V299-000290 | 1 | KNOB,FASTENER | 1 KNOB M5X0.8 | | |
| 23 | | A446-000000 | 1 | LEVER, ACTUATOR | | | |

7. Fan Case, Blower Pipe(Sr/Nr 37005401 and after)



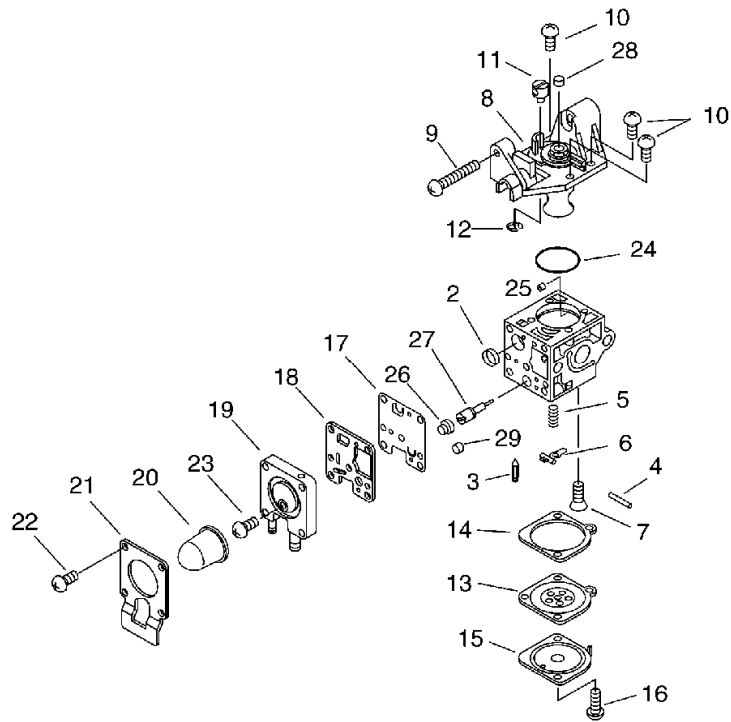
| KEY | LV | PART NUMBER | Q'TY | DESCRIPTION | REMARKS | NOTE1 | NOTE2 |
|-----|----|--------------|------|------------------|------------|-------|-------|
| 24 | | A473-000020 | 1 | LID, SWITCH CASE | | | |
| 25 | | X413-000031 | 1 | CUTTER, SHREDDER | | | |
| 26 | | X413-000020 | 1 | CUTTER, SHREDDER | | | |
| 27 | | 900603-00005 | 2 | WASHER 5 | 5.5*12*0.8 | | |
| 28 | | 900562-50005 | 2 | LOCKNUT 5 | 5 | | |
| 29 | | V452-000370 | 1 | SPRING, TORSION | | | |
| 30 | | 900256-04016 | 3 | SCREW 4*16 | 4*16 | | |
| 31 | | 900720-00003 | 1 | O-RING P-3 | P-3 | | |
| 32 | | A045-000170 | 1 | SWITCH, ON OFF | | | |

8. Carburetor



| KEY | LV | PART NUMBER | Q'TY | DESCRIPTION | REMARKS | NOTE1 | NOTE2 |
|-----|----|--------------|------|----------------------|---------|-------|-------|
| | | A021-001590 | 1 | CARBURETOR,DIAPHRAGM | | | |
| 2 | + | P005-000010 | 1 | STRAINER | | | |
| 3 | + | 125337-08260 | 1 | VALVE, INLET NEEDLE | | | |
| 4 | + | 125338-13930 | 1 | PIN, METERING ARM | | | |
| 5 | + | P005-000940 | 1 | SPRING, METER. LEVER | | | |
| 6 | + | 125323-08260 | 1 | ARM, VALVE | | | |
| 7 | + | 125339-42030 | 1 | SCREW | | | |
| 8 | + | P005-002000 | 1 | COVER ASY, ROTOR | | | |
| 9 | + | P005-000100 | 1 | SCREW,THROTTLEADJUST | | | |
| 10 | + | 125344-13931 | 3 | SCREW | | | |
| 11 | + | P005-001240 | 1 | POST | | | |
| 12 | + | P005-000190 | 1 | E-RING | | | |
| 13 | + | P005-001780 | 1 | DIAPHRAGM | | | |
| 14 | + | P005-000200 | 1 | GASKET, METERING | | | |
| 15 | + | 125342-52130 | 1 | COVER, DIAPHRAGM | | | |
| 16 | + | 125344-52130 | 2 | SCREW | | | |
| 17 | + | P005-000510 | 1 | DIAPHRAGM, PUMP | | | |
| 18 | + | P005-000520 | 1 | GASKET, PUMP | | | |
| 19 | + | P005-001890 | 1 | BASE, ASY PRIMER | | | |
| 20 | + | 125381-46730 | 1 | PUMP, PRIMING | | | |
| 21 | + | P005-000250 | 1 | RETAINER | | | |
| 22 | + | P005-001900 | 4 | SCREW | | | |
| 23 | + | P005-000270 | 1 | SCREW | | | |
| 24 | + | P005-000280 | 1 | O-RING | | | |
| 25 | + | P005-001000 | 1 | ROLLER, GUIDE | | | |
| 26 | + | P005-001250 | 1 | RETAINER,PLUG BALL | | | |

8. Carburetor



| KEY | LV | PART NUMBER | Q'TY | DESCRIPTION | REMARKS | NOTE1 | NOTE2 |
|-----|----|-------------|------|---------------------|---------|-------|-------|
| 27 | + | P005-001260 | 1 | SCREW,MAINN MIXTURE | | | |
| 28 | + | P005-001270 | 1 | PLUG, H AJUST SCREW | | | |
| 29 | + | P005-001270 | 1 | PLUG, H AJUST SCREW | | | |

9. Repair Kit

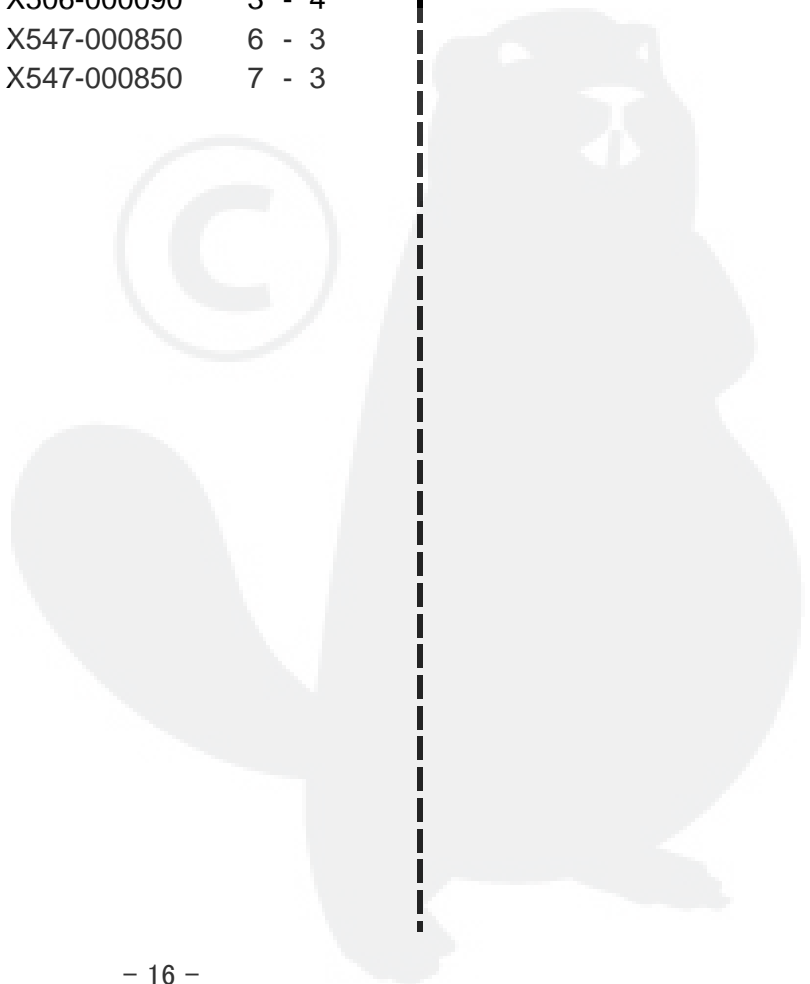
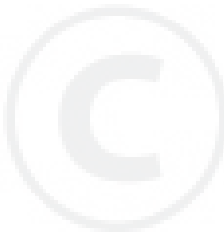
| KEY | LV | PART NUMBER | Q'TY | DESCRIPTION | REMARKS | NOTE1 | NOTE2 |
|------|----|--------------|------|----------------------|---------|-------|-------|
| | | P005-001660 | 1 | DIAPHRAGM/GASKET KIT | | | |
| 7-13 | + | P005-001780 | 1 | DIAPHRAGM | | | |
| 7-14 | + | P005-000200 | 1 | GASKET, METERING | | | |
| 7-17 | + | P005-000510 | 1 | DIAPHRAGM, PUMP | | | |
| 7-18 | + | P005-000520 | 1 | GASKET, PUMP | | | |
| | | P005-001670 | 1 | REBUILD KIT | | | |
| 7-2 | + | P005-000010 | 1 | STRAINER | | | |
| 7-3 | + | 125337-08260 | 1 | VALVE, INLET NEEDLE | | | |
| 7-4 | + | 125338-13930 | 1 | PIN, METERING ARM | | | |
| 7-5 | + | P005-000940 | 1 | SPRING, METER. LEVER | | | |
| 7-6 | + | 125323-08260 | 1 | ARM, VALVE | | | |
| 7-13 | + | P005-001780 | 1 | DIAPHRAGM | | | |
| 7-14 | + | P005-000200 | 1 | GASKET, METERING | | | |
| 7-17 | + | P005-000510 | 1 | DIAPHRAGM, PUMP | | | |
| 7-18 | + | P005-000520 | 1 | GASKET, PUMP | | | |
| 7-25 | + | P005-001000 | 1 | ROLLER, GUIDE | | | |

Index

| Patrs Number | Key No. | Patrs Number | Key No. | Patrs Number | Key No. |
|---------------------|----------------|---------------------|----------------|---------------------|----------------|
| 100014-11520 | 1 - 10 | 900238-05025 | 4 - 1 | A350-000550 | 5 - 14 |
| 100015-04630 | 1 - 9 | 900253-04010 | 4 - 21 | A356-000030 | 5 - 4 |
| 100143-19830 | 6 - 8 | 900253-05020 | 4 - 9 | A409-000210 | 2 - 12 |
| 100143-19830 | 7 - 8 | 900253-05020 | 5 - 9 | A411-000290 | 2 - 11 |
| 100212-42031 | 1 - 14 | 900253-05020 | 6 - 5 | A425-000000 | 2 - 3 |
| 100215-03930 | 1 - 18 | 900253-05020 | 6 - 13 | A426-000010 | 2 - 4 |
| 100242-42030 | 1 - 16 | 900253-05020 | 6 - 16 | A427-000012 | 2 - 6 |
| 125323-08260 | 8 - 6 | 900253-05020 | 7 - 5 | A429-000010 | 2 - 5 |
| 125323-08260 | 9 - 7-6 | 900253-05020 | 7 - 5 | A440-001010 | 4 - 15 |
| 125337-08260 | 8 - 3 | 900253-05020 | 7 - 13 | A446-000000 | 6 - 23 |
| 125337-08260 | 9 - 7-3 | 900253-05020 | 7 - 16 | A446-000000 | 7 - 23 |
| 125338-13930 | 8 - 4 | 900253-05025 | 4 - 8 | A473-000020 | 6 - 24 |
| 125338-13930 | 9 - 7-4 | 900256-04016 | 6 - 30 | A473-000020 | 7 - 24 |
| 125339-42030 | 8 - 7 | 900256-04016 | 7 - 30 | C400-000490 | 4 - 12 |
| 125342-52130 | 8 - 15 | 900562-50005 | 4 - 6 | C410-000390 | 6 - 14 |
| 125344-13931 | 8 - 10 | 900562-50005 | 6 - 28 | C410-000390 | 7 - 14 |
| 125344-52130 | 8 - 16 | 900562-50005 | 7 - 28 | C410-000391 | 7 - 14 |
| 125381-46730 | 8 - 20 | 900602-00005 | 4 - 2 | C410-000400 | 6 - 15 |
| 130016-42031 | 3 - 9 | 900603-00005 | 3 - 22 | C410-000400 | 7 - 15 |
| 131004-55530 | 5 - 1 | 900603-00005 | 4 - 4 | C411-000020 | 4 - 5 |
| 131016-55830 | 5 - 2 | 900603-00005 | 5 - 8 | C411-000021 | 4 - 5 |
| 131051-56030 | 5 - 3 | 900603-00005 | 6 - 27 | C412-000150 | 4 - 19 |
| 131205-07320 | 5 - 13 | 900603-00005 | 7 - 27 | C450-000241 | 4 - 7 |
| 132010-49730 | 5 - 11 | 900720-00003 | 6 - 31 | C453-000260 | 4 - 3 |
| 132013-09820 | 5 - 5 | 900720-00003 | 7 - 31 | C454-000130 | 4 - 10 |
| 132115-01461 | 5 - 7 | 91113-04020 | 2 - 10 | C459-000010 | 3 - 18 |
| 132115-44330 | 5 - 12 | 91367-04010 | 3 - 27 | E100-000063 | 6 - 9 |
| 152115-05530 | 2 - 2 | 94035-36201 | 1 - 17 | E100-000063 | 7 - 9 |
| 156110-04920 | 2 - 7 | A011-000371 | 1 - 11 | E101-000071 | 2 - 13 |
| 177220-42030 | 2 - 25 | A021-001590 | 3 - 10 | E103-000490 | 6 - 6 |
| 177227-42030 | 2 - 29 | A021-001590 | 8 - | E103-000490 | 7 - 6 |
| 177228-27030 | 2 - 28 | A045-000170 | 6 - 32 | E103-000500 | 6 - 10 |
| 177234-12220 | 2 - 19 | A045-000170 | 7 - 32 | E103-000501 | 6 - 10 |
| 177236-61830 | 2 - 22 | A051-001180 | 2 - 21 | E103-000501 | 7 - 10 |
| 177246-11120 | 2 - 27 | A052-000200 | 2 - 17 | E104-000090 | 6 - 1 |
| 895410-06960 | 6 - 21 | A101-000140 | 1 - 7 | E104-000090 | 7 - 1 |
| 895410-06960 | 7 - 21 | A130-000780 | 1 - 3 | E162-000000 | 6 - 12 |
| 900105-05060 | 3 - 6 | A160-000821 | 1 - 2 | E162-000000 | 7 - 12 |
| 900105-08015 | 6 - 7 | A160-000830 | 3 - 17 | E165-000190 | 6 - 17 |
| 900105-08015 | 7 - 7 | A200-000280 | 3 - 15 | E165-000191 | 7 - 17 |
| 900106-05008 | 1 - 1 | A226-000350 | 3 - 5 | E165-000210 | 6 - 18 |
| 900106-05014 | 2 - 33 | A226-000370 | 3 - 30 | E165-000210 | 7 - 18 |
| 900106-05014 | 3 - 29 | A227-000000 | 3 - 31 | E178-000050 | 6 - 19 |
| 900162-04020 | 6 - 11 | A232-000440 | 3 - 3 | E178-000050 | 7 - 19 |
| 900162-04020 | 7 - 11 | A244-000070 | 3 - 7 | P005-000010 | 8 - 2 |
| 900162-05025 | 1 - 4 | A300-000141 | 3 - 20 | P005-000010 | 9 - 7-2 |
| 900162-05025 | 3 - 14 | A310-000070 | 3 - 21 | P005-000100 | 8 - 9 |
| 900162-05028 | 1 - 15 | A313-000910 | 3 - 25 | P005-000190 | 8 - 12 |
| 900163-04016 | 2 - 16 | A313-000920 | 3 - 26 | P005-000200 | 8 - 14 |

Index

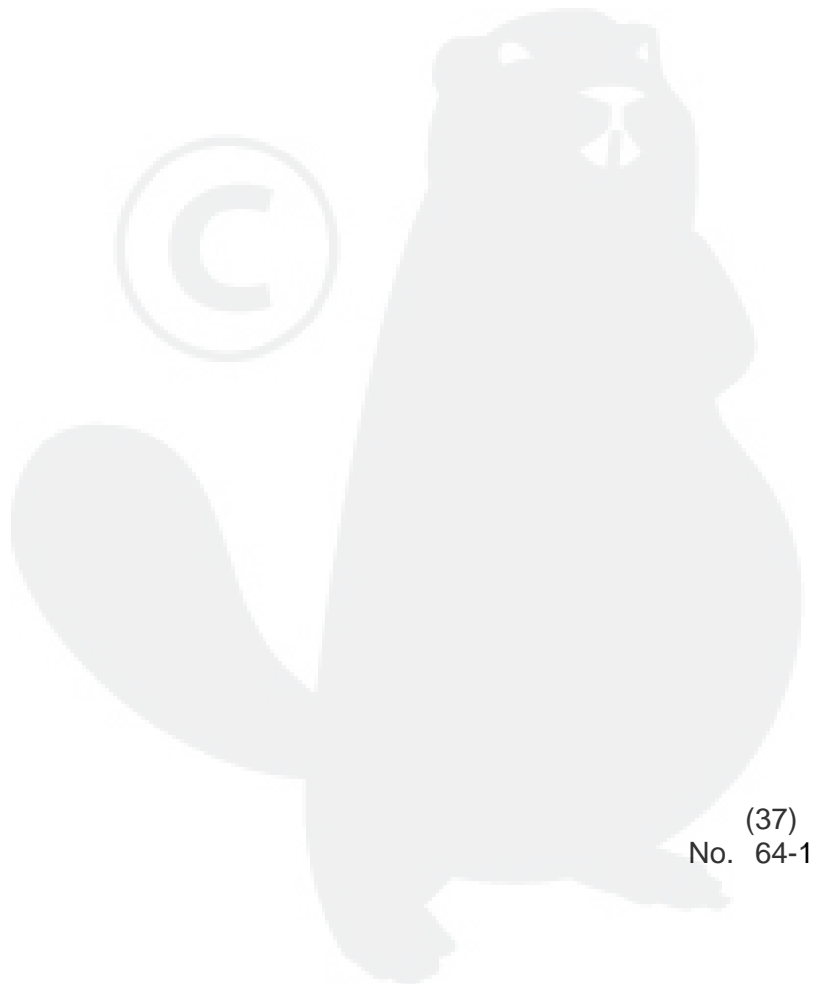
| Patrs Number | Key No. | Patrs Number | Key No. | Patrs Number | Key No. |
|---------------------|----------------|---------------------|----------------|---------------------|----------------|
| P005-000200 | 9 - 7-14 | V299-000290 | 7 - 22 | | |
| P005-000200 | 9 - 7-14 | V420-001430 | 5 - 15 | | |
| P005-000250 | 8 - 21 | V420-001440 | 2 - 32 | | |
| P005-000270 | 8 - 23 | V431-000000 | 4 - 11 | | |
| P005-000280 | 8 - 24 | V452-000370 | 6 - 29 | | |
| P005-000510 | 8 - 17 | V452-000370 | 7 - 29 | | |
| P005-000510 | 9 - 7-17 | V471-001220 | 5 - 6 | | |
| P005-000510 | 9 - 7-17 | V471-001860 | 5 - 10 | | |
| P005-000520 | 8 - 18 | V475-003380 | 2 - 9 | | |
| P005-000520 | 9 - 7-18 | V485-000370 | 4 - 22 | | |
| P005-000520 | 9 - 7-18 | V485-000960 | 2 - 1 | | |
| P005-000940 | 8 - 5 | V486-000110 | 4 - 16 | | |
| P005-000940 | 9 - 7-5 | V486-000120 | 4 - 20 | | |
| P005-001000 | 8 - 25 | V553-000010 | 1 - 12 | | |
| P005-001000 | 9 - 7-25 | V583-000080 | 6 - 20 | | |
| P005-001240 | 8 - 11 | V583-000080 | 7 - 20 | | |
| P005-001250 | 8 - 26 | V606-000000 | 1 - 8 | | |
| P005-001260 | 8 - 27 | X413-000020 | 7 - 26 | | |
| P005-001270 | 8 - 28 | X413-000030 | 6 - 25 | | |
| P005-001270 | 8 - 29 | X413-000031 | 6 - 25 | | |
| P005-001660 | 9 - | X413-000031 | 7 - 25 | | |
| P005-001670 | 9 - | X502-000330 | 2 - 31 | | |
| P005-001780 | 8 - 13 | X505-002080 | 6 - 4 | | |
| P005-001780 | 9 - 7-13 | X505-002080 | 7 - 4 | | |
| P005-001780 | 9 - 7-13 | X505-002310 | 4 - 14 | | |
| P005-001890 | 8 - 19 | X506-000090 | 3 - 4 | | |
| P005-001900 | 8 - 22 | X547-000850 | 6 - 3 | | |
| P005-002000 | 8 - 8 | X547-000850 | 7 - 3 | | |
| P021-008231 | 1 - 13 | | | | |
| P021-010260 | 1 - 6 | | | | |
| P021-010980 | 3 - 8 | | | | |
| P021-011200 | 3 - 28 | | | | |
| P021-013780 | 2 - 14 | | | | |
| P022-002100 | 2 - 18 | | | | |
| P022-006830 | 2 - 24 | | | | |
| P022-006850 | 2 - 20 | | | | |
| P022-008260 | 2 - 23 | | | | |
| P022-008270 | 2 - 30 | | | | |
| P022-008280 | 2 - 26 | | | | |
| V100-000190 | 1 - 5 | | | | |
| V103-000390 | 3 - 16 | | | | |
| V103-000400 | 3 - 13 | | | | |
| V104-000820 | 3 - 19 | | | | |
| V104-000830 | 3 - 24 | | | | |
| V203-000190 | 3 - 23 | | | | |
| V263-000070 | 2 - 15 | | | | |
| V263-000070 | 4 - 13 | | | | |
| V299-000250 | 3 - 1 | | | | |
| V299-000290 | 6 - 22 | | | | |



YAMABIKO CORPORATION

7-2 SUEHIROCHO 1-CHOME, OHME, TOKYO 198-8760, JAPAN
PHONE: 81-428-32-6118. FAX: 81-428-32-6145.

ECHO®



(37)
No. 64-115



PARTS CATALOG

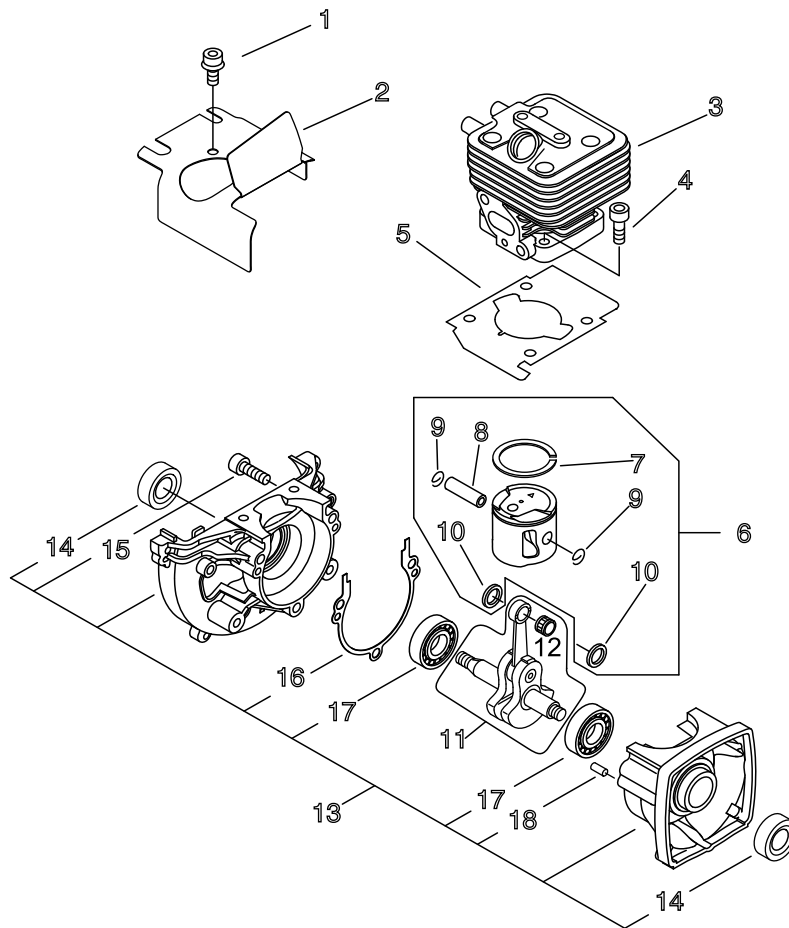
HANDHELD BLOWER

PB-255ES(37)

37006803 -

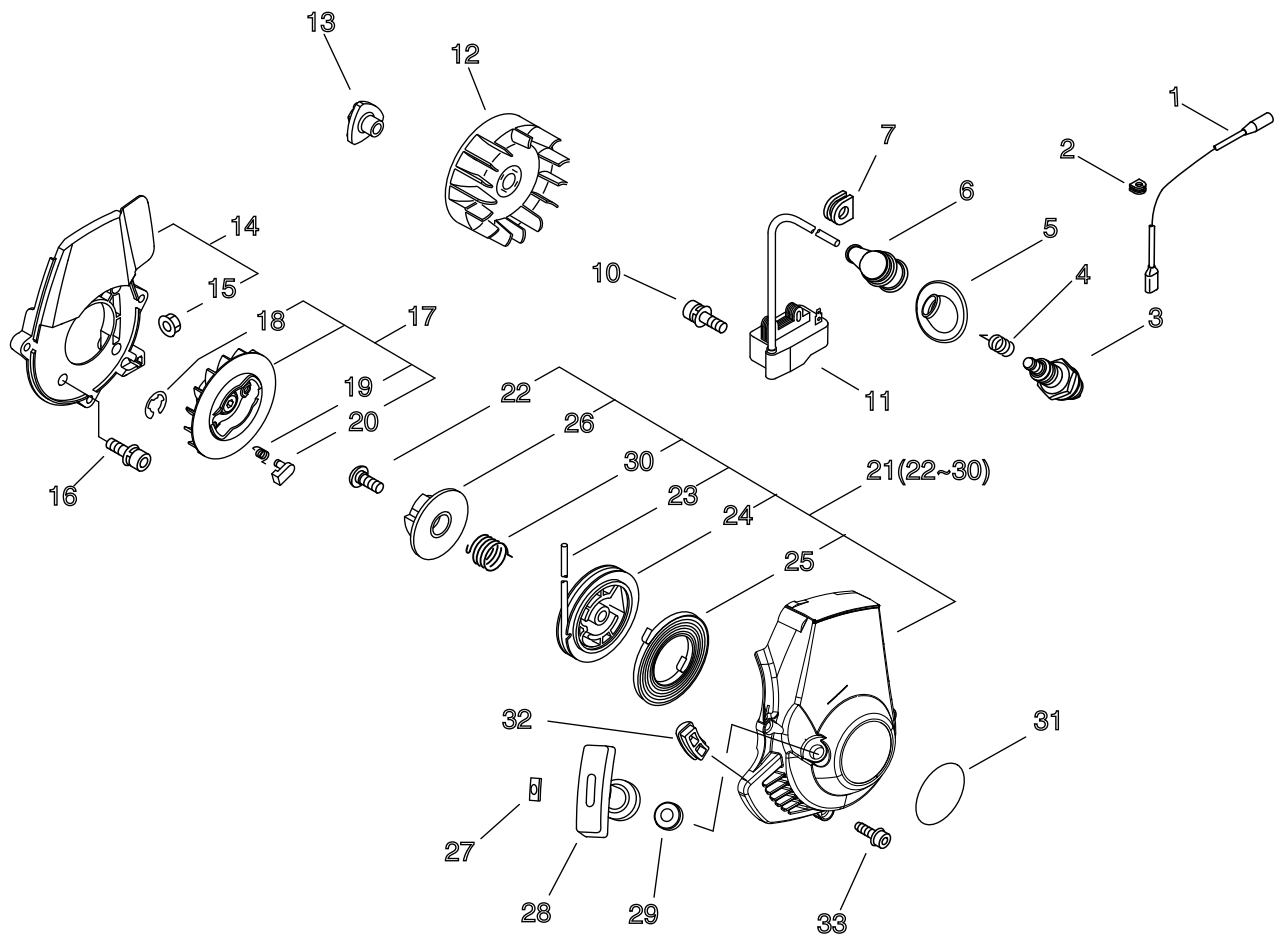
P014-000570-10lb

1. CYLINDER, CRANKCASE, PISTON



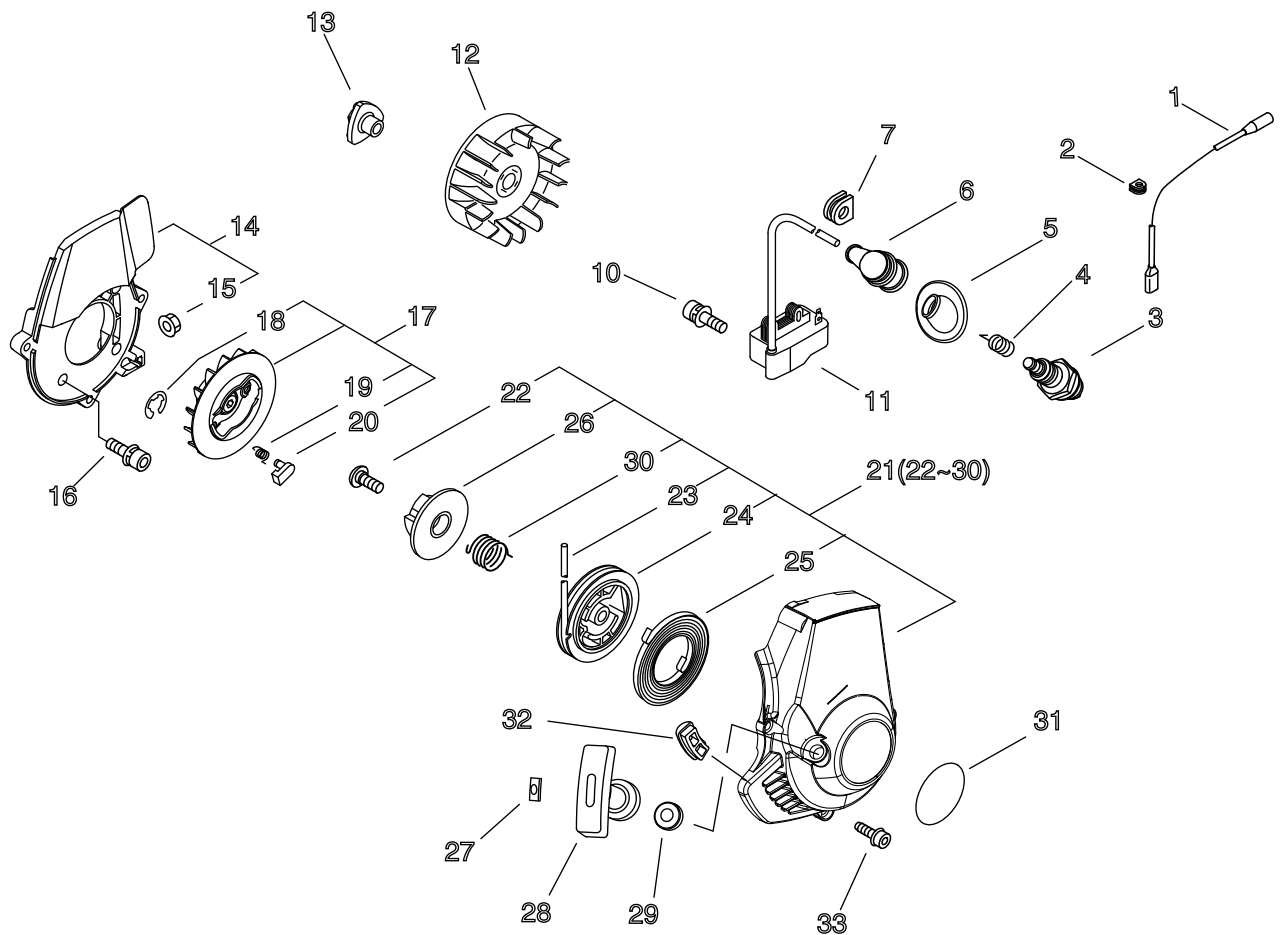
| KEY | LV | PART NUMBER | Q'TY | DESCRIPTION | REMARKS | NOTE1 | NOTE2 |
|-----|----|--------------|------|---------------------|----------------|-------|-------|
| 1 | | 900106-05008 | 2 | BOLT, H.S. 5* 8 | 5*8 | | |
| 2 | | A160-000821 | 1 | COVER,CYLINDER | | | |
| 3 | | A130-000780 | 1 | CYLINDER | | | |
| 4 | | 900162-05025 | 4 | BOLT, H.S. 5*25 | 5*25 W,SW | | |
| 5 | | V100-000190 | 1 | GASKET,CYL | | | |
| 6 | | P021-010260 | 1 | PISTON KIT | | | |
| 7 | + | A101-000140 | 1 | RING, PISTON | B1.2 T1.5 | | |
| 8 | + | V606-000000 | 1 | PIN,ENG 8 | 5*8*28 | | |
| 9 | + | 100015-04630 | 2 | CIRCLIP, PISTON PIN | | | |
| 10 | + | 100014-11520 | 2 | SPACER, PISTON PIN | | | |
| 11 | | A011-000371 | 1 | CRANKSHAFT,ASM | | | |
| 12 | + | V553-000060 | 1 | BEARING,NEEDLE 8 | HK0810FMV4 | | |
| 13 | | P021-008231 | 1 | CRANKCASE KIT | | | |
| 14 | + | 100212-42031 | 2 | OILSEAL | ISCD 12*22*4.5 | | |
| 15 | + | 900162-05028 | 3 | BOLT, H.S. 5*28 | 5*28 W,SW | | |
| 16 | + | 100242-42030 | 1 | GASKET, CRANKCASE | | | |
| 17 | + | 94035-36201 | 2 | BEARING BALL | 6201X3JR2C3 | | |
| 18 | + | 100215-03930 | 2 | PIN, DOWEL | | | |

2. STARTER, MAGNETO



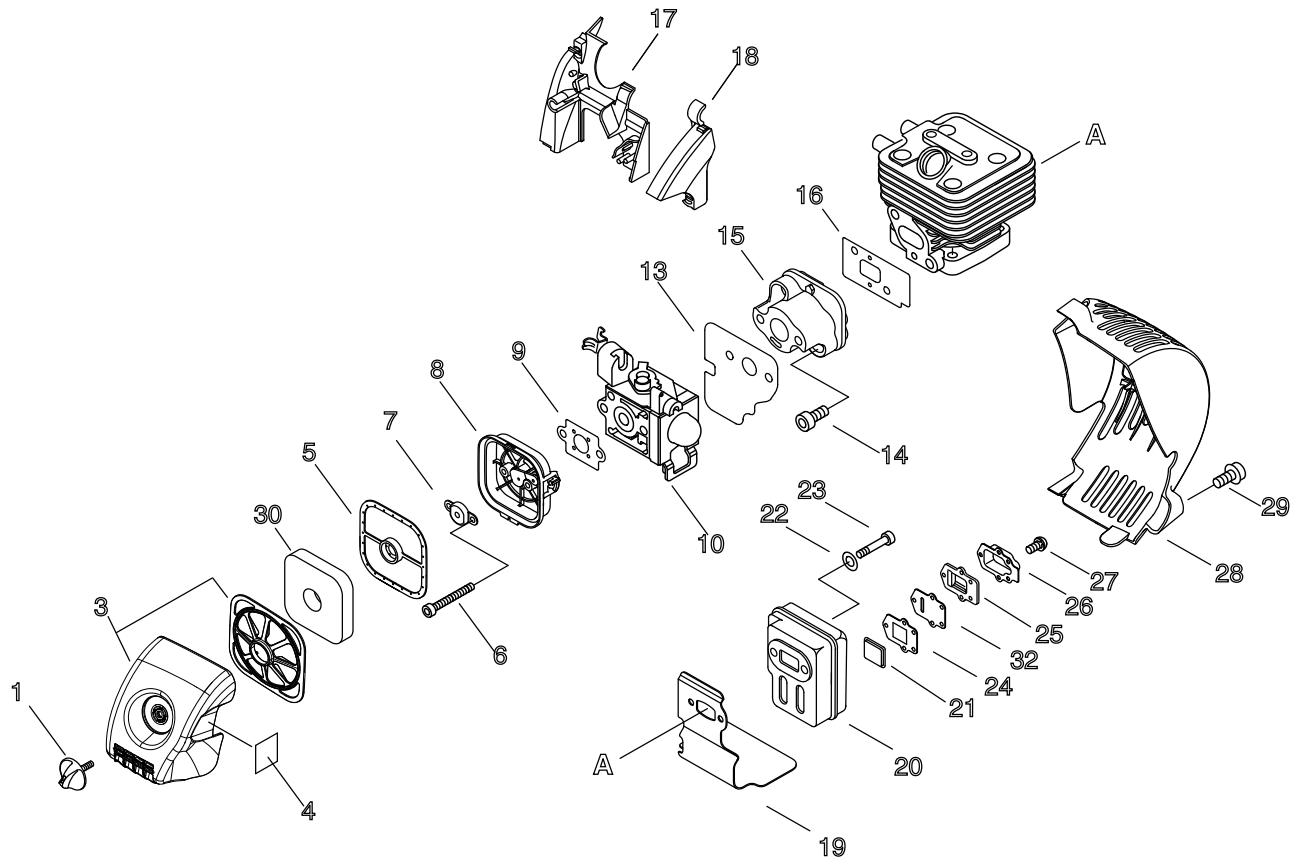
| KEY | LV | PART NUMBER | Q'TY | DESCRIPTION | REMARKS | NOTE1 | NOTE2 |
|-----|----|--------------|------|---------------------|---------------------|-------|-------|
| 1 | | V485-000960 | 1 | LEAD | | | |
| 2 | | 152115-05530 | 1 | BUSHING | | | |
| 3 | | A425-000000 | 1 | SPARKPLUG | BPMR8Y | | |
| 4 | | A426-000010 | 1 | TERMINAL, SPARKPLUG | | | |
| 5 | | A429-000010 | 1 | COVER, CAP | | | |
| 6 | | A427-000013 | 1 | CAP, SPARK PLUG | | | |
| 7 | | 156110-04920 | 1 | BUSHING | | | |
| 10 | | 91113-04020 | 2 | BOLT | CM-4*20 SW,W | | |
| 11 | | A411-000290 | 1 | COIL, IGNITION | EMG-60 ID#C10146 | | |
| 12 | | A409-000210 | 1 | ROTOR, MAGNETO | | | |
| 13 | | E101-000071 | 1 | HUB, FAN | M8*1.25 | | |
| 14 | | P021-013780 | 1 | SPACER | | | |
| 15 | + | V263-000070 | 1 | NUT, 5 | | | |
| 16 | + | 900163-04016 | 4 | BOLT HSH | | | |
| 17 | | A052-000250 | 1 | PULLEY, ASM STARTER | | | |
| 18 | + | 900700-00004 | 2 | E-RING 4 | CE-4 | | |
| 19 | + | V452-000280 | 2 | SPRING, TORSION | | | |
| 20 | + | A514-000070 | 2 | PAWL | | | |
| 21 | | A051-001180 | 1 | STARTER, RECOIL ASY | | | |
| 22 | + | 177236-61830 | 1 | SCREW | | | |
| 23 | + | P022-008260 | 1 | ROPE | 3M/M | | |
| 24 | + | P022-006830 | 1 | DRUM | | | |
| 25 | + | 177220-42030 | 1 | SPRING, REWIND | | | |
| 26 | + | P022-008280 | 1 | PLATE, CAM | | | |
| 27 | + | 177246-11120 | 1 | CLIP, STARTER ROPE | | | |

2. STARTER, MAGNETO



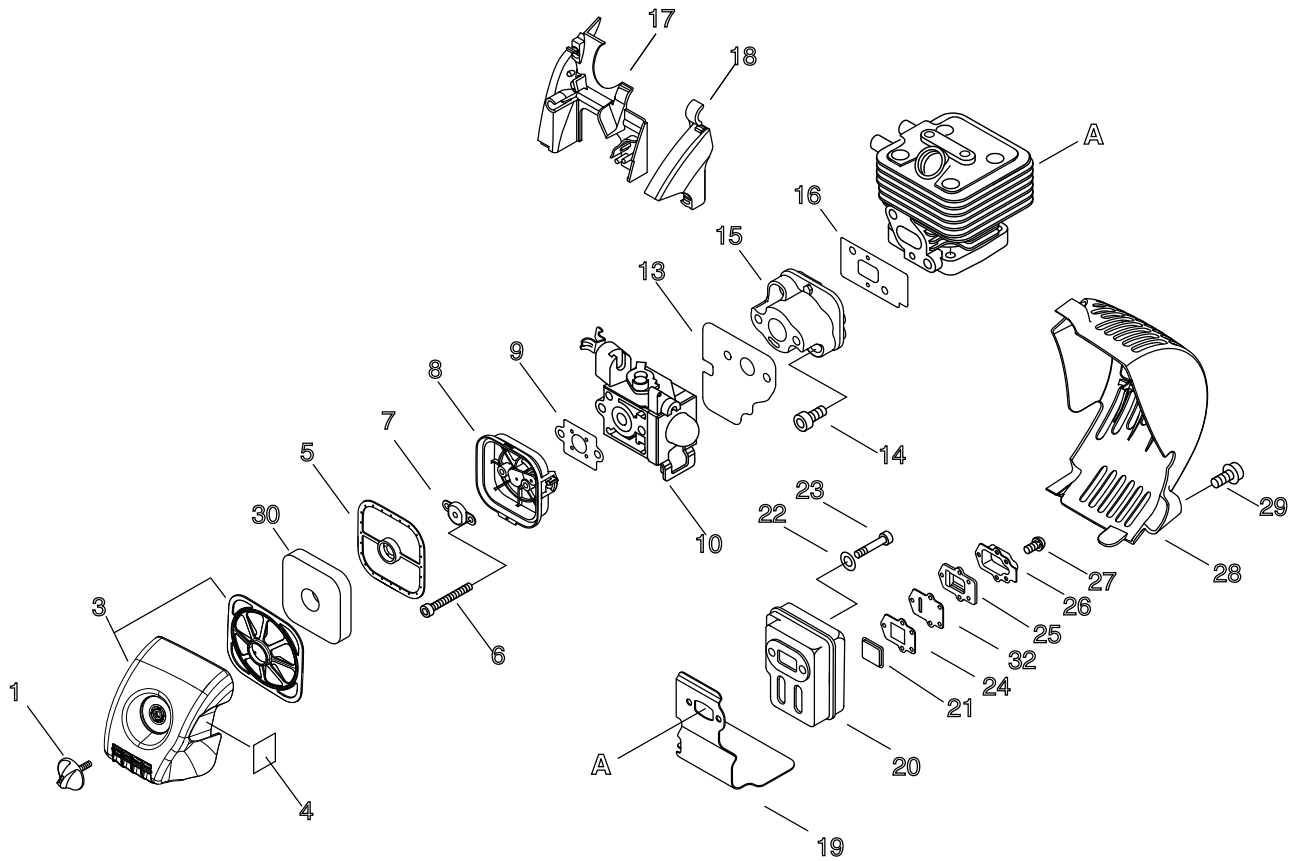
| KEY | LV | PART NUMBER | Q'TY | DESCRIPTION | REMARKS | NOTE1 | NOTE2 |
|-----|----|--------------|------|-----------------|---------|-------|-------|
| 28 | + | 177228-27030 | 1 | GRIP, STARTER | | | |
| 29 | + | 177227-42030 | 1 | GUIDE, ROPE | | | |
| 30 | + | P022-008270 | 1 | SPRING, DAMPER | | | |
| 31 | | X502-000330 | 1 | LABEL, ECHO | ECHO | | |
| 32 | | V420-001440 | 1 | CUSHION | | | |
| 33 | | 900106-05014 | 3 | BOLT, H.S. 5*14 | 5*14 | | |

3. AIR CLEANER, CARBURETOR, MUFFLER



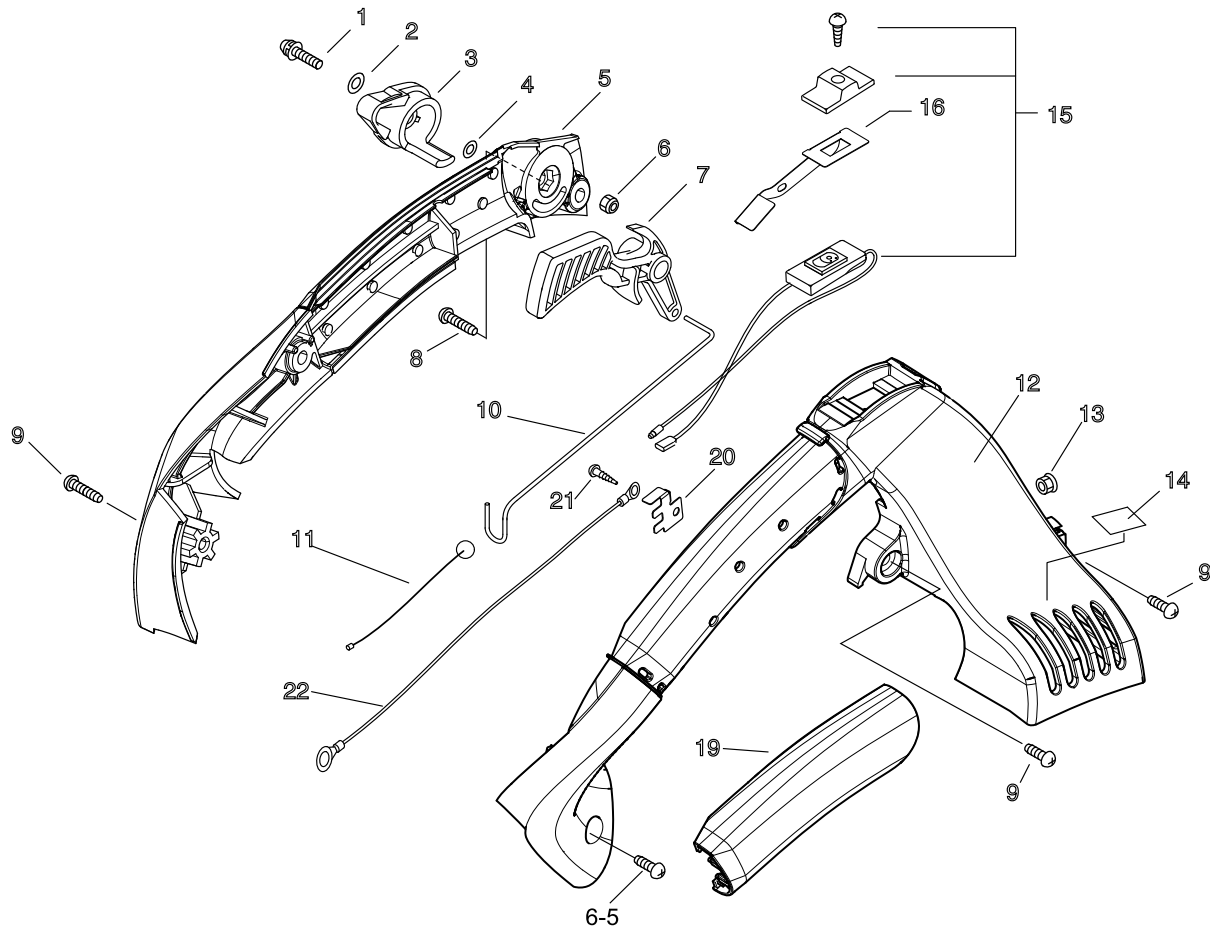
| KEY | LV | PART NUMBER | Q'TY | DESCRIPTION | REMARKS | NOTE1 | NOTE2 |
|-----|----|--------------|------|----------------------|--------------|-------|-------|
| 1 | | V299-000250 | 1 | KNOB,FASTENER | | | |
| 3 | | P021-015720 | 1 | KIT,LID AIR CLEANER | | | |
| 4 | | X506-000090 | 1 | LABEL,CHOKE | | | |
| 5 | | A226-000470 | 1 | ELEMENT,AIR FILTER | | | |
| 5 | | A226-000471 | 1 | ELEMENT,AIR FILTER | | | |
| 6 | | 900105-05060 | 2 | BOLT,H.S. 5*60 | 5*60 | | |
| 7 | | A244-000070 | 1 | PLATE,PREVENT | | | |
| 8 | | P021-010980 | 1 | CLEANER CASE ASY | | | |
| 9 | | 130016-42031 | 1 | GASKET,INTAKE | | | |
| 10 | | A021-001591 | 1 | CARBURETOR,DIAPHRAGM | RB-K90 | | |
| 13 | | V103-000400 | 1 | GASKET,INTAKE | | | |
| 14 | | 900162-05025 | 2 | BOLT,H.S. 5*25 | 5*25 W,SW | | |
| 15 | | A200-000280 | 1 | INSULATOR,INTAKE | | | |
| 16 | | V103-000390 | 1 | GASKET,INTAKE | | | |
| 17 | | A160-000830 | 1 | COVER,CYLINDER | | | |
| 18 | | C459-000010 | 1 | COVER,THROTTLE | | | |
| 19 | | V104-000820 | 1 | GASKET,EXHAUST | NP7002 | | |
| 20 | | A300-000810 | 1 | MUFFLER,EXHAUST | | | |
| 21 | | A310-000070 | 1 | SCREEN,ARRESTOR | 22*28*3 | | |
| 22 | | 900603-00005 | 2 | WASHER 5 | 5.5*12*0.8 | | |
| 23 | | V203-000190 | 2 | BOLT,5 | AN A2-70 | | |
| 24 | | V104-000940 | 1 | GASKET,EXHAUST | T:0.5 | | |
| 25 | | A313-000910 | 1 | GUIDE,EXHAUST | | | |
| 26 | | A313-000920 | 1 | GUIDE,EXHAUST | | | |
| 27 | | 91367-04010 | 5 | SCREW | 4*10/SW(SUS) | | |
| 28 | | P021-011200 | 1 | COVER,MUFFLER KIT | | | |

3. AIR CLEANER, CARBURETOR, MUFFLER



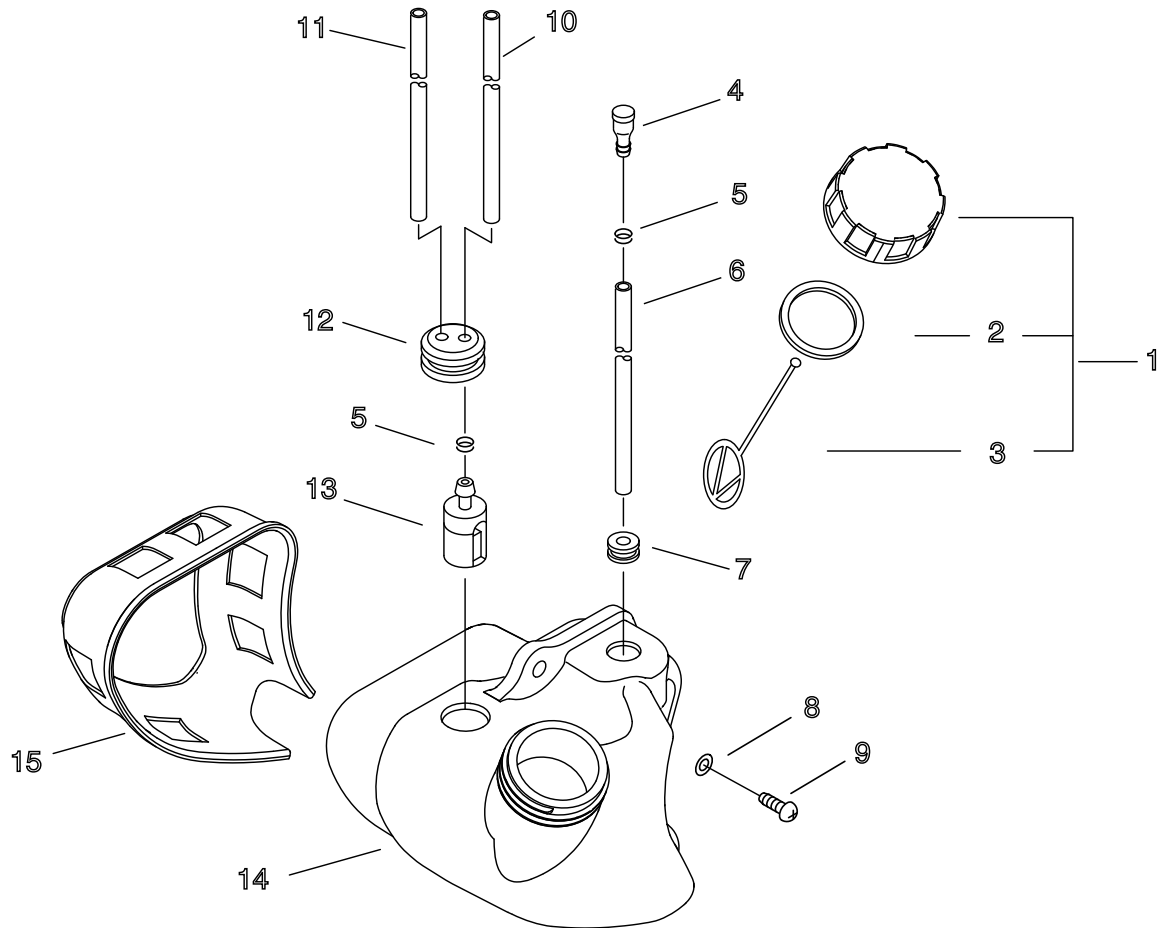
| KEY | LV | PART NUMBER | Q'TY | DESCRIPTION | REMARKS | NOTE1 | NOTE2 |
|-----|----|--------------|------|---------------------|---------|-------|-------|
| 29 | | 900106-05014 | 2 | BOLT, H.S. 5*14 | 5*14 | | |
| 30 | | A226-000370 | 1 | ELEMENT, AIR FILTER | | | |
| 32 | | A313-001070 | 1 | GUIDE, EXHAUST | | | |

4. HANDLE



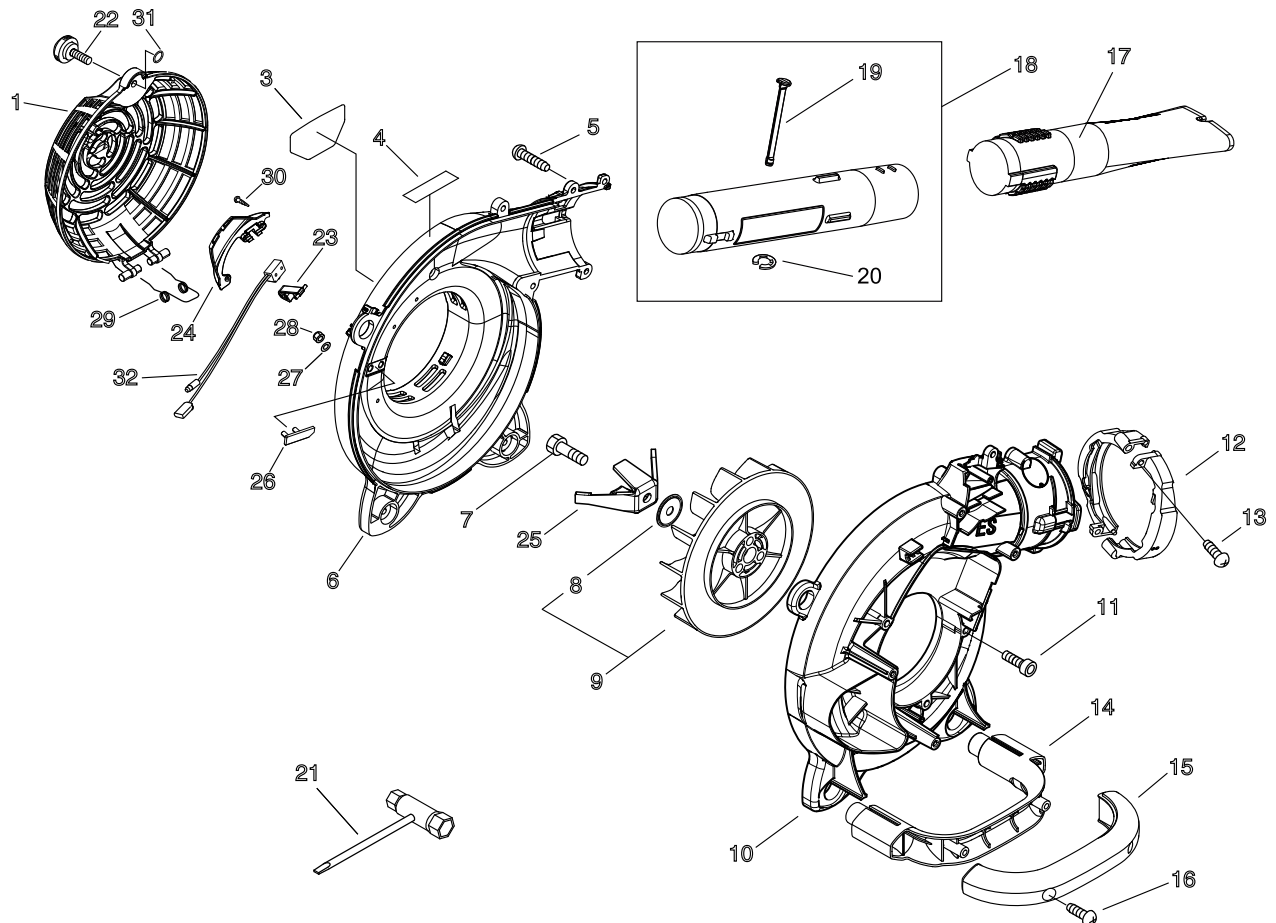
| KEY | LV | PART NUMBER | Q'TY | DESCRIPTION | REMARKS | NOTE1 | NOTE2 |
|-----|----|--------------|------|-------------------|-------------|-------|-------|
| 1 | | 900238-05025 | 1 | SCREW 5*25 | 5*25 | | |
| 2 | | 900602-00005 | 1 | WASHER 5 | 5.3*10*1 | | |
| 3 | | C453-000260 | 1 | LEVER, THROTTLE | | | |
| 4 | | 900603-00005 | 1 | WASHER 5 | 5.5*12*0.8 | | |
| 5 | | C411-000021 | 1 | LID,HANDLE | | | |
| 6 | | 900562-50005 | 1 | LOCKNUT 5 | 5 | | |
| 7 | | C450-000241 | 1 | CONTROL, THROTTLE | | | |
| 8 | | 900253-05025 | 1 | SCREW 5*25 | 5*25 | | |
| 9 | | 900253-05020 | 3 | SCREW 5*20 | 5*20 | | |
| 10 | | C454-000130 | 1 | ROD, THROTTLE | | | |
| 11 | | V431-000000 | 1 | CABLE,INNER | | | |
| 12 | | C400-000490 | 1 | HANDLE, FRONT | | | |
| 13 | | V263-000070 | 1 | NUT,5 | | | |
| 14 | | X505-002310 | 1 | LABEL,CAUTION | HOT CAUTION | | |
| 15 | | A440-001010 | 1 | SWITCH, ON OFF | | | |
| 16 | | V486-000110 | 1 | TERMINAL,LEAD | | | |
| 19 | | C412-000150 | 1 | GRIP, HANDLE | | | |
| 20 | | V486-000120 | 1 | TERMINAL,LEAD | | | |
| 21 | | 900253-04010 | 1 | SCREW 4*10 | 4*10 | | |
| 22 | | V485-000370 | 1 | LEAD | | | |

5. FUEL TANK



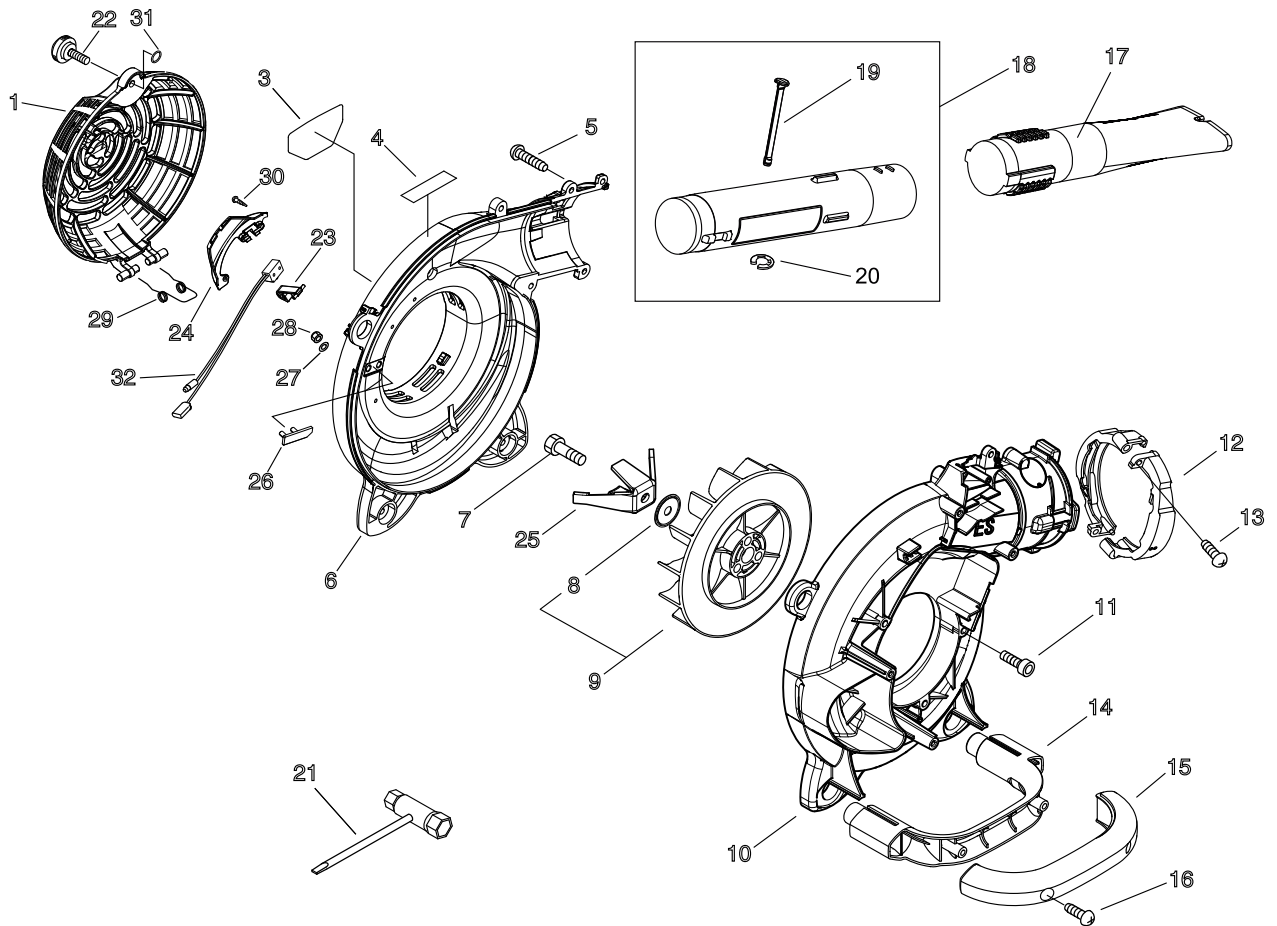
| KEY | LV | PART NUMBER | Q'TY | DESCRIPTION | REMARKS | NOTE1 | NOTE2 |
|-----|----|--------------|------|---------------------|------------|-------|-------|
| 1 | | 131004-55530 | 1 | CAP ASSY, FUEL TANK | | | |
| 2 | + | 131016-55830 | 1 | GASKET, FUEL CAP | | | |
| 3 | + | 131051-56030 | 1 | CLIP, FUEL CAP | 100L | | |
| 4 | | A356-000030 | 1 | VALVE,CHECK | | | |
| 5 | | 132013-09820 | 2 | CLIP | 6MM | | |
| 6 | | V471-001220 | 1 | PIPE | 3*5*50 NBR | | |
| 7 | | 132115-01461 | 1 | GROMMET | | | |
| 8 | | 900603-00005 | 2 | WASHER 5 | 5.5*12*0.8 | | |
| 9 | | 900253-05020 | 2 | SCREW 5*20 | 5*20 | | |
| 10 | | V471-001860 | 1 | PIPE | 3*5*175 | | |
| 11 | | 132010-49730 | 1 | PIPE 3*6*85 | 3*6*85 YL | | |
| 12 | | 132115-44330 | 1 | GROMMET | | | |
| 13 | | 131205-07320 | 1 | STRAINER, FUEL | | | |
| 14 | | A350-000550 | 1 | TANK, FUEL | | | |
| 15 | | V420-001430 | 1 | CUSHION | | | |

6. FAN CASE, BLOWER PIPE



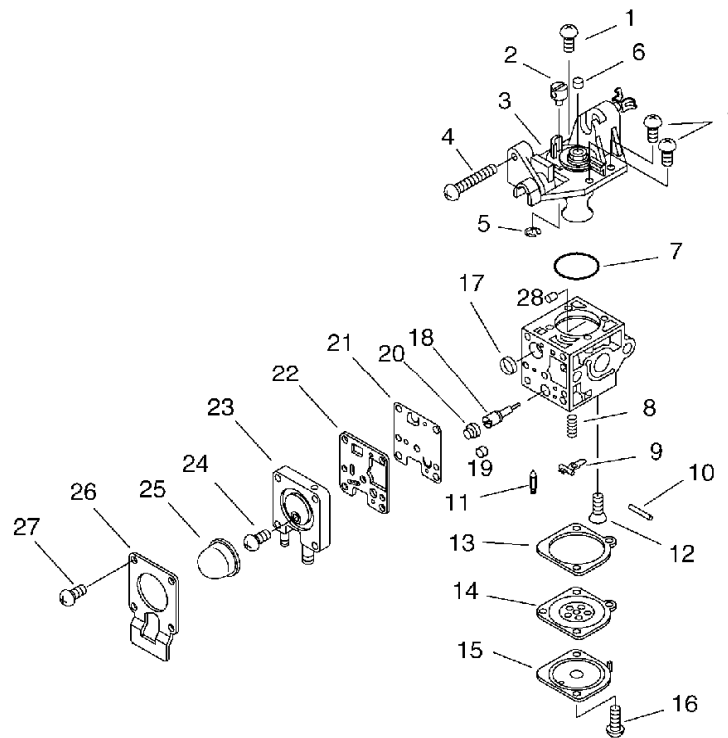
| KEY | LV | PART NUMBER | Q'TY | DESCRIPTION | REMARKS | NOTE1 | NOTE2 |
|-----|----|--------------|------|--------------------|---------------|-------|-------|
| 1 | | E104-000090 | 1 | GRID, BLOWER | | | |
| 3 | | X547-000850 | 1 | LABEL,ECHO | PB-255ES | | |
| 4 | | X505-002080 | 1 | LABEL,CAUTION | | | |
| 6 | | E103-000490 | 1 | CASE,FAN | | | |
| 7 | | 900105-08015 | 1 | BOLT, H.S. 8*15 | 8*15 | | |
| 9 | | P021-010663 | 1 | FAN,BLOWER KIT | | | |
| 8 | + | 100143-19830 | 1 | WASHER | 8.2*31*0.8 | | |
| 5 | | 900253-05020 | 8 | SCREW 5*20 | 5*20 | | |
| 10 | | E103-000501 | 1 | CASE,FAN | | | |
| 11 | | 900162-04020 | 4 | BOLT, H.S. 4*20 | 4*20 W,SW | | |
| 12 | | E162-000000 | 2 | FIXTURE, BLOW PIPE | | | |
| 13 | | 900253-05020 | 2 | SCREW 5*20 | 5*20 | | |
| 14 | | C410-000391 | 1 | HANDLE, REAR | | | |
| 15 | | C410-000400 | 1 | HANDLE, REAR | | | |
| 16 | | 900253-05020 | 2 | SCREW 5*20 | 5*20 | | |
| 17 | | E165-000191 | 1 | PIPE,BLOWER | | | |
| 18 | | E165-000210 | 1 | PIPE,BLOWER | | | |
| 19 | + | E178-000050 | 1 | GUARD,PIPE | | | |
| 20 | + | V583-000080 | 1 | RING | CE-5 | | |
| 21 | | 895410-06960 | 1 | WRENCH, W/S-DRIVER | | | |
| 22 | | V299-000290 | 1 | KNOB,FASTENER | 1 KNOB M5X0.8 | | |
| 23 | | A446-000000 | 1 | LEVER, ACTUATOR | | | |
| 24 | | A473-000020 | 1 | LID,SWITCH CASE | | | |
| 25 | | X413-000010 | 1 | CUTTER,SHREDDER | | | |
| 26 | | X413-000020 | 1 | CUTTER,SHREDDER | | | |

6. FAN CASE, BLOWER PIPE



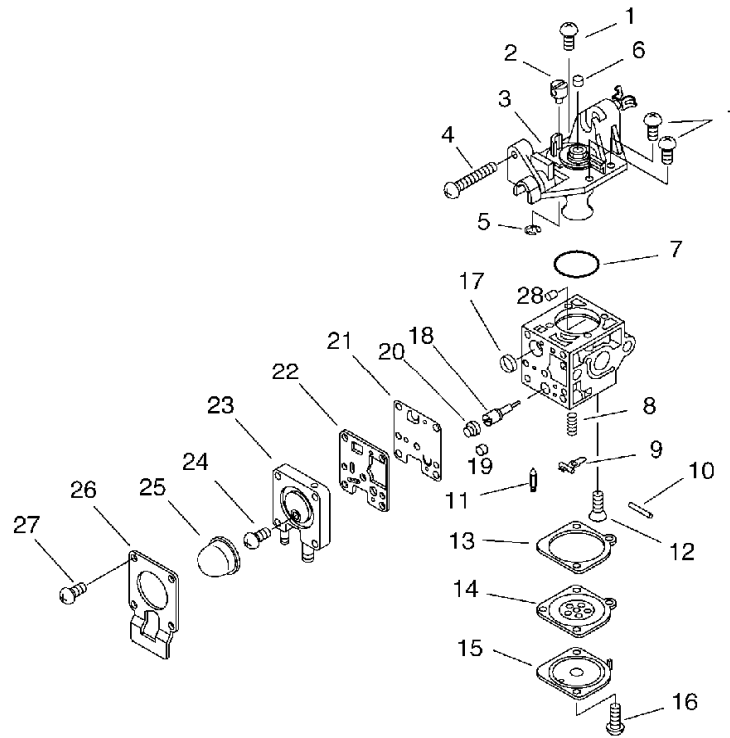
| KEY | LV | PART NUMBER | Q'TY | DESCRIPTION | REMARKS | NOTE1 | NOTE2 |
|-----|----|--------------|------|----------------|------------|-------|-------|
| 27 | | 900603-00005 | 2 | WASHER 5 | 5.5*12*0.8 | | |
| 28 | | 900562-50005 | 2 | LOCKNUT 5 | 5 | | |
| 29 | | V452-000370 | 1 | SPRING,TORSION | | | |
| 30 | | 900256-04016 | 3 | SCREW 4*16 | | | |
| 31 | | 900720-00003 | 1 | O-RING P-3 | P-3 | | |
| 32 | | A045-000170 | 1 | SWITCH, ON OFF | | | |

7. CARBURETOR



| KEY | LV | PART NUMBER | Q'TY | DESCRIPTION | REMARKS | NOTE1 | NOTE2 |
|-----|----|--------------|------|----------------------|---------|-------|-------|
| | | A021-001591 | 1 | CARBURETOR,DIAPHRAGM | RB-K90 | | |
| 1 | + | 125344-13931 | 3 | SCREW | | | |
| 2 | + | P005-002090 | 1 | POST | | | |
| 3 | + | P005-002000 | 1 | COVER ASY, ROTOR | | | |
| 4 | + | P005-000100 | 1 | SCREW,THROTTLEADJUST | | | |
| 5 | + | P005-000190 | 1 | E-RING | | | |
| 6 | + | P005-001270 | 1 | PLUG, H AJUST SCREW | | | |
| 7 | + | P005-000280 | 1 | O-RING | | | |
| 8 | + | P005-000940 | 1 | SPRING, METER. LEVER | | | |
| 9 | + | 125323-08260 | 1 | ARM, VALVE | | | |
| 10 | + | 125338-13930 | 1 | PIN, METERING ARM | | | |
| 11 | + | 125337-08260 | 1 | VALVE, INLET NEEDLE | | | |
| 12 | + | 125339-42030 | 1 | SCREW | | | |
| 13 | + | P005-000200 | 1 | GASKET, METERING | | | |
| 14 | + | P005-001780 | 1 | DIAPHRAGM | | | |
| 15 | + | 125342-52130 | 1 | COVER, DIAPHRAGM | | | |
| 16 | + | 125344-52130 | 1 | SCREW | | | |
| 17 | + | P005-000010 | 1 | STRAINER | | | |
| 18 | + | P005-001260 | 1 | SCREW,MAINN MIXTURE | | | |
| 19 | | P005-001270 | 1 | PLUG, H AJUST SCREW | | | |
| 20 | + | P005-001250 | 1 | RETAINER,PLUG BALL | | | |
| 21 | + | P005-000510 | 1 | DIAPHRAGM, PUMP | | | |
| 22 | + | P005-000520 | 1 | GASKET, PUMP | | | |
| 23 | + | P005-001890 | 1 | BASE, ASY PRIMER | | | |
| 24 | + | P005-000270 | 1 | SCREW | | | |
| 25 | + | 125381-08660 | 1 | PUMP, PRIMING | | | |

7. CARBURETOR



| KEY | LV | PART NUMBER | Q'TY | DESCRIPTION | REMARKS | NOTE1 | NOTE2 |
|-----|----|-------------|------|---------------|---------|-------|-------|
| 26 | + | P005-000250 | 1 | RETAINER | | | |
| 27 | + | P005-001900 | 4 | SCREW | | | |
| 28 | + | P005-001000 | 1 | ROLLER, GUIDE | | | |

8. REPAIR KIT

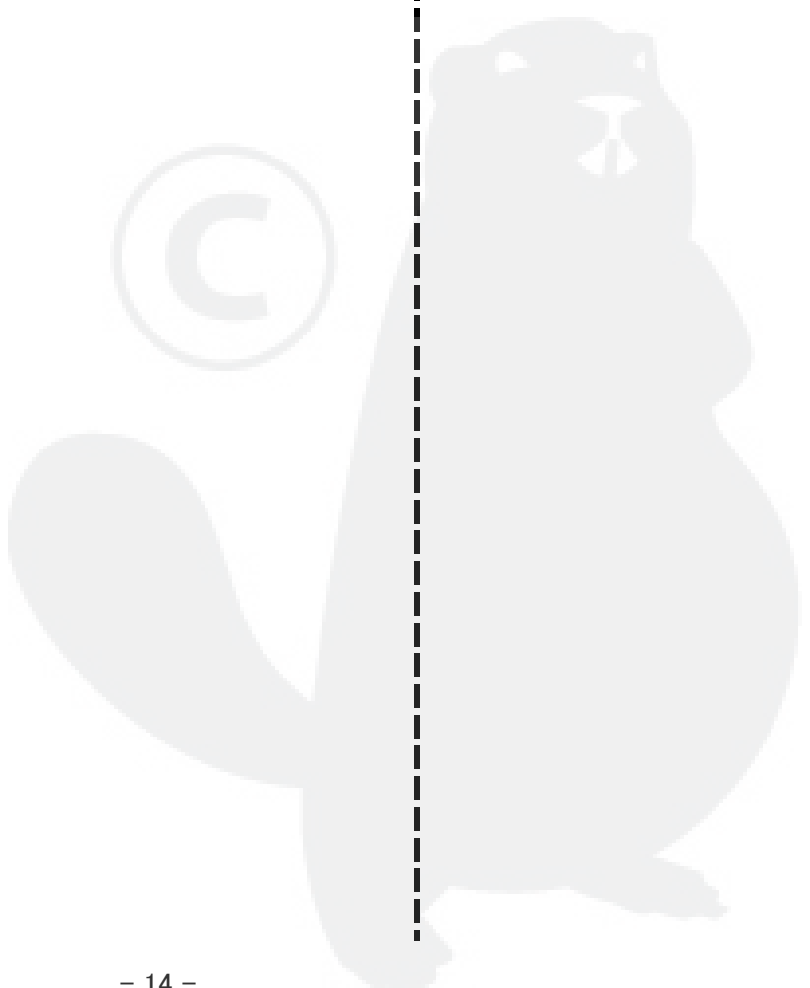
| KEY | LV | PART NUMBER | Q'TY | DESCRIPTION | REMARKS | NOTE1 | NOTE2 |
|------|----|--------------|------|----------------------|---------|-------|-------|
| | | P005-001660 | 1 | DIAPHRAGM/GASKET KIT | | | |
| 7-13 | | P005-000200 | 1 | GASKET, METERING | | | |
| 7-14 | | P005-001780 | 1 | DIAPHRAGM | | | |
| 7-21 | | P005-000510 | 1 | DIAPHRAGM, PUMP | | | |
| 7-22 | | P005-000520 | 1 | GASKET, PUMP | | | |
| | | P005-001670 | 1 | REBUILD KIT | | | |
| 7-28 | | P005-001000 | 1 | ROLLER, GUIDE | | | |
| 7-17 | | P005-000010 | 1 | STRAINER | | | |
| 7-8 | | P005-000940 | 1 | SPRING, METER. LEVER | | | |
| 7-9 | | 125323-08260 | 1 | ARM, VALVE | | | |
| 7-10 | | 125338-13930 | 1 | PIN, METERING ARM | | | |
| 7-11 | | 125337-08260 | 1 | VALVE, INLET NEEDLE | | | |
| 7-13 | | P005-000200 | 1 | GASKET, METERING | | | |
| 7-14 | | P005-001780 | 1 | DIAPHRAGM | | | |
| 7-21 | | P005-000510 | 1 | DIAPHRAGM, PUMP | | | |
| 7-22 | | P005-000520 | 1 | GASKET, PUMP | | | |
| | | P021-012350 | 1 | GASKET KIT | | | |
| 1-5 | | V100-000190 | 1 | GASKET,CYL | | | |
| 1-16 | | 100242-42030 | 1 | GASKET, CRANKCASE | | | |
| 3-16 | | V103-000390 | 1 | GASKET,INTAKE | | | |
| 3-13 | | V103-000400 | 1 | GASKET,INTAKE | | | |
| 3-9 | | 130016-42031 | 1 | GASKET, INTAKE | | | |
| 3-19 | | V104-000820 | 1 | GASKET,EXHAUST | NP7002 | | |
| 3-24 | | V104-000830 | 1 | GASKET,EXHAUST | | | |

Index

| Patrs Number | Key No. | Patrs Number | Key No. | Patrs Number | Key No. |
|---------------------|----------------|---------------------|----------------|---------------------|----------------|
| 100014-11520 | 1 - 10 | 900253-05020 | 5 - 9 | A514-000070 | 2 - 20 |
| 100015-04630 | 1 - 9 | 900253-05020 | 6 - 5 | C400-000490 | 4 - 12 |
| 100143-19830 | 6 - 8 | 900253-05020 | 6 - 13 | C410-000391 | 6 - 14 |
| 100212-42031 | 1 - 14 | 900253-05020 | 6 - 16 | C410-000400 | 6 - 15 |
| 100215-03930 | 1 - 18 | 900253-05025 | 4 - 8 | C411-000021 | 4 - 5 |
| 100242-42030 | 1 - 16 | 900256-04016 | 6 - 30 | C412-000150 | 4 - 19 |
| 100242-42030 | 8 - 1-16 | 900562-50005 | 4 - 6 | C450-000241 | 4 - 7 |
| 125323-08260 | 7 - 9 | 900562-50005 | 6 - 28 | C453-000260 | 4 - 3 |
| 125323-08260 | 8 - 7-9 | 900602-00005 | 4 - 2 | C454-000130 | 4 - 10 |
| 125337-08260 | 7 - 11 | 900603-00005 | 3 - 22 | C459-000010 | 3 - 18 |
| 125337-08260 | 8 - 7-11 | 900603-00005 | 4 - 4 | E101-000071 | 2 - 13 |
| 125338-13930 | 7 - 10 | 900603-00005 | 5 - 8 | E103-000490 | 6 - 6 |
| 125338-13930 | 8 - 7-10 | 900603-00005 | 6 - 27 | E103-000501 | 6 - 10 |
| 125339-42030 | 7 - 12 | 900700-00004 | 2 - 18 | E104-000090 | 6 - 1 |
| 125342-52130 | 7 - 15 | 900720-00003 | 6 - 31 | E162-000000 | 6 - 12 |
| 125344-13931 | 7 - 1 | 91113-04020 | 2 - 10 | E165-000191 | 6 - 17 |
| 125344-52130 | 7 - 16 | 91367-04010 | 3 - 27 | E165-000210 | 6 - 18 |
| 125381-08660 | 7 - 25 | 94035-36201 | 1 - 17 | E178-000050 | 6 - 19 |
| 130016-42031 | 3 - 9 | A011-000371 | 1 - 11 | P005-000010 | 7 - 17 |
| 130016-42031 | 8 - 3-9 | A021-001591 | 3 - 10 | P005-000010 | 8 - 7-17 |
| 131004-55530 | 5 - 1 | A021-001591 | 7 - | P005-000100 | 7 - 4 |
| 131016-55830 | 5 - 2 | A045-000170 | 6 - 32 | P005-000190 | 7 - 5 |
| 131051-56030 | 5 - 3 | A051-001180 | 2 - 21 | P005-000200 | 7 - 13 |
| 131205-07320 | 5 - 13 | A052-000250 | 2 - 17 | P005-000200 | 8 - 7-13 |
| 132010-49730 | 5 - 11 | A101-000140 | 1 - 7 | P005-000200 | 8 - 7-13 |
| 132013-09820 | 5 - 5 | A130-000780 | 1 - 3 | P005-000250 | 7 - 26 |
| 132115-01461 | 5 - 7 | A160-000821 | 1 - 2 | P005-000270 | 7 - 24 |
| 132115-44330 | 5 - 12 | A160-000830 | 3 - 17 | P005-000280 | 7 - 7 |
| 152115-05530 | 2 - 2 | A200-000280 | 3 - 15 | P005-000510 | 7 - 21 |
| 156110-04920 | 2 - 7 | A226-000370 | 3 - 30 | P005-000510 | 8 - 7-21 |
| 177220-42030 | 2 - 25 | A226-000470 | 3 - 5 | P005-000510 | 8 - 7-21 |
| 177227-42030 | 2 - 29 | A226-000471 | 3 - 5 | P005-000520 | 7 - 22 |
| 177228-27030 | 2 - 28 | A244-000070 | 3 - 7 | P005-000520 | 8 - 7-22 |
| 177236-61830 | 2 - 22 | A300-000810 | 3 - 20 | P005-000520 | 8 - 7-22 |
| 177246-11120 | 2 - 27 | A310-000070 | 3 - 21 | P005-000940 | 7 - 8 |
| 895410-06960 | 6 - 21 | A313-000910 | 3 - 25 | P005-000940 | 8 - 7-8 |
| 900105-05060 | 3 - 6 | A313-000920 | 3 - 26 | P005-001000 | 7 - 28 |
| 900105-08015 | 6 - 7 | A313-001070 | 3 - 32 | P005-001000 | 8 - 7-28 |
| 900106-05008 | 1 - 1 | A350-000550 | 5 - 14 | P005-001250 | 7 - 20 |
| 900106-05014 | 2 - 33 | A356-000030 | 5 - 4 | P005-001260 | 7 - 18 |
| 900106-05014 | 3 - 29 | A409-000210 | 2 - 12 | P005-001270 | 7 - 6 |
| 900162-04020 | 6 - 11 | A411-000290 | 2 - 11 | P005-001270 | 7 - 19 |
| 900162-05025 | 1 - 4 | A425-000000 | 2 - 3 | P005-001660 | 8 - |
| 900162-05025 | 3 - 14 | A426-000010 | 2 - 4 | P005-001670 | 8 - |
| 900162-05028 | 1 - 15 | A427-000013 | 2 - 6 | P005-001780 | 7 - 14 |
| 900163-04016 | 2 - 16 | A429-000010 | 2 - 5 | P005-001780 | 8 - 7-14 |
| 900238-05025 | 4 - 1 | A440-001010 | 4 - 15 | P005-001780 | 8 - 7-14 |
| 900253-04010 | 4 - 21 | A446-000000 | 6 - 23 | P005-001890 | 7 - 23 |
| 900253-05020 | 4 - 9 | A473-000020 | 6 - 24 | P005-001900 | 7 - 27 |

Index

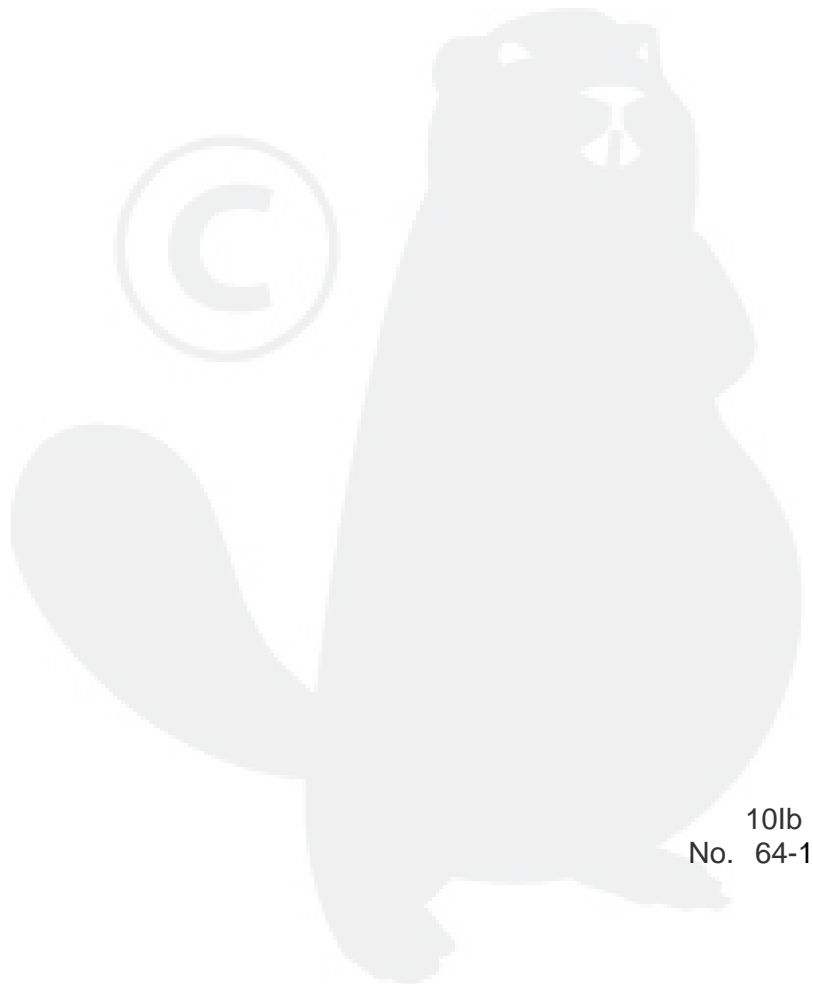
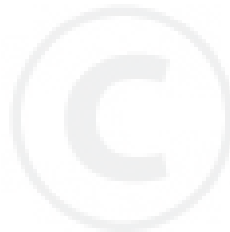
| Patrs Number | Key No. | Patrs Number | Key No. | Patrs Number | Key No. |
|---------------------|----------------|---------------------|----------------|---------------------|----------------|
| P005-002000 | 7 - 3 | X547-000850 | 6 - 3 | | |
| P005-002090 | 7 - 2 | | | | |
| P021-008231 | 1 - 13 | | | | |
| P021-010260 | 1 - 6 | | | | |
| P021-010663 | 6 - 9 | | | | |
| P021-010980 | 3 - 8 | | | | |
| P021-011200 | 3 - 28 | | | | |
| P021-012350 | 8 - | | | | |
| P021-013780 | 2 - 14 | | | | |
| P021-015720 | 3 - 3 | | | | |
| P022-006830 | 2 - 24 | | | | |
| P022-008260 | 2 - 23 | | | | |
| P022-008270 | 2 - 30 | | | | |
| P022-008280 | 2 - 26 | | | | |
| V100-000190 | 1 - 5 | | | | |
| V100-000190 | 8 - 1-5 | | | | |
| V103-000390 | 3 - 16 | | | | |
| V103-000390 | 8 - 3-16 | | | | |
| V103-000400 | 3 - 13 | | | | |
| V103-000400 | 8 - 3-13 | | | | |
| V104-000820 | 3 - 19 | | | | |
| V104-000820 | 8 - 3-19 | | | | |
| V104-000830 | 8 - 3-24 | | | | |
| V104-000940 | 3 - 24 | | | | |
| V203-000190 | 3 - 23 | | | | |
| V263-000070 | 2 - 15 | | | | |
| V263-000070 | 4 - 13 | | | | |
| V299-000250 | 3 - 1 | | | | |
| V299-000290 | 6 - 22 | | | | |
| V420-001430 | 5 - 15 | | | | |
| V420-001440 | 2 - 32 | | | | |
| V431-000000 | 4 - 11 | | | | |
| V452-000280 | 2 - 19 | | | | |
| V452-000370 | 6 - 29 | | | | |
| V471-001220 | 5 - 6 | | | | |
| V471-001860 | 5 - 10 | | | | |
| V485-000370 | 4 - 22 | | | | |
| V485-000960 | 2 - 1 | | | | |
| V486-000110 | 4 - 16 | | | | |
| V486-000120 | 4 - 20 | | | | |
| V553-000060 | 1 - 12 | | | | |
| V583-000080 | 6 - 20 | | | | |
| V606-000000 | 1 - 8 | | | | |
| X413-000010 | 6 - 25 | | | | |
| X413-000020 | 6 - 26 | | | | |
| X502-000330 | 2 - 31 | | | | |
| X505-002080 | 6 - 4 | | | | |
| X505-002310 | 4 - 14 | | | | |
| X506-000090 | 3 - 4 | | | | |



YAMABIKO CORPORATION

7-2 SUEHIROCHO 1-CHOME, OHME, TOKYO 198-8760, JAPAN
PHONE: 81-428-32-6118. FAX: 81-428-32-6145.

ECHO®



10lb
No. 64-115