



# **PARTS CATALOG**

## **BACKPACK BLOWER**

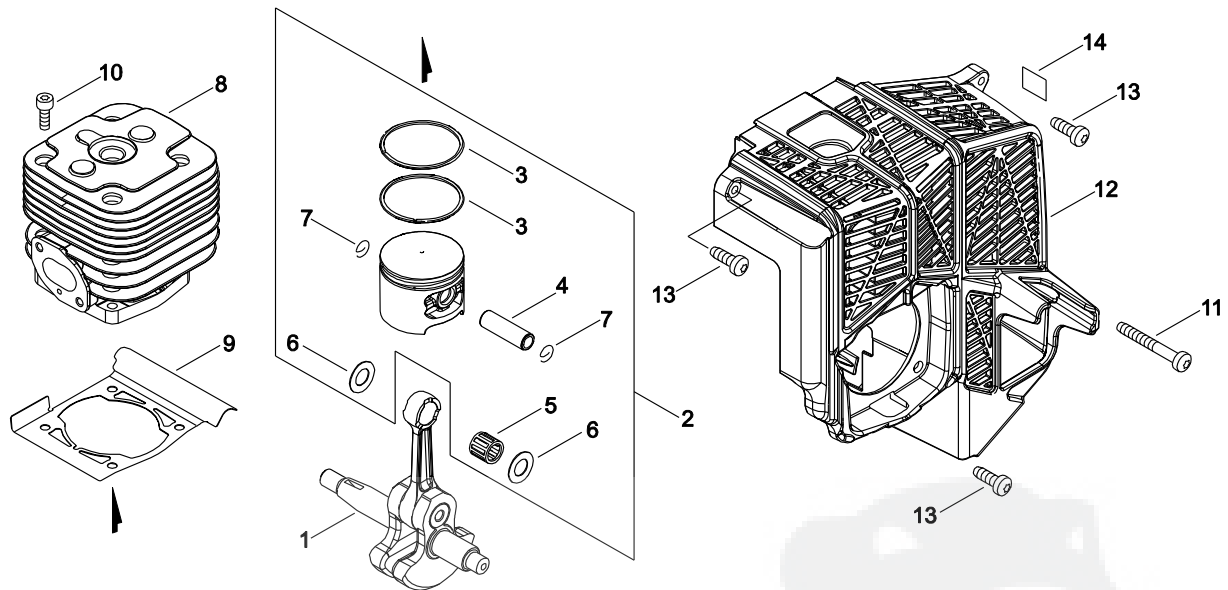
### **PB-580(37)**

P4563700001 -

**CE**

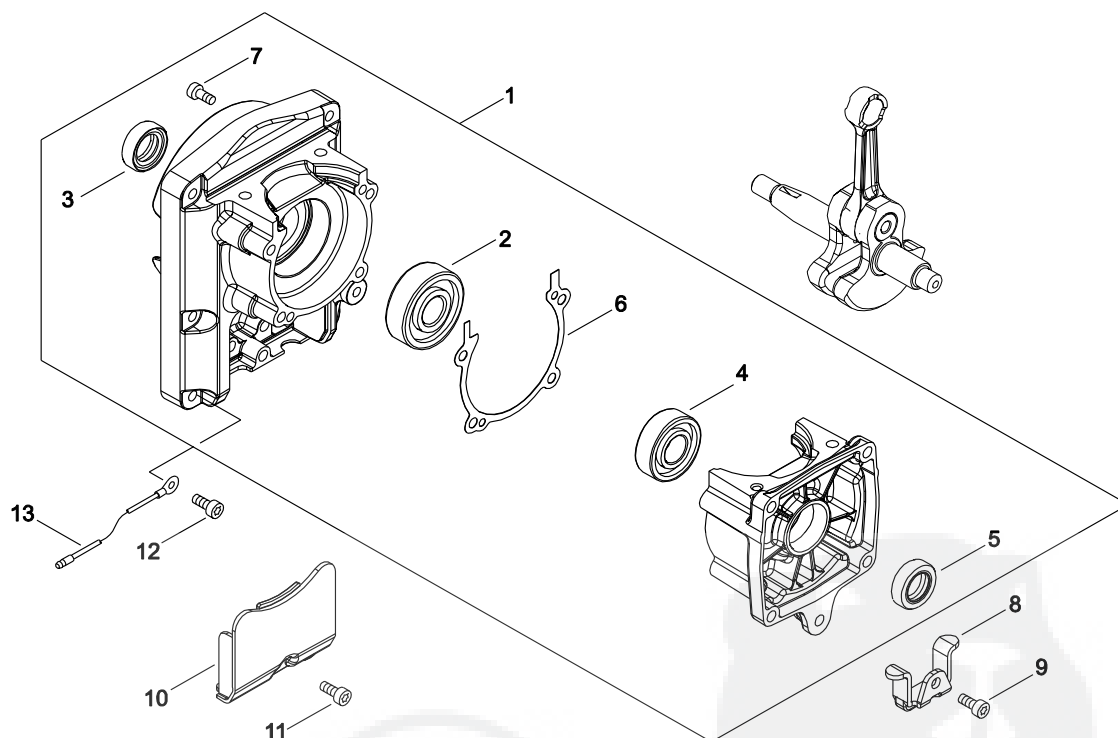
P014-004800-15D

# 1. CYLINDER, PISTON, CRANKSHAFT



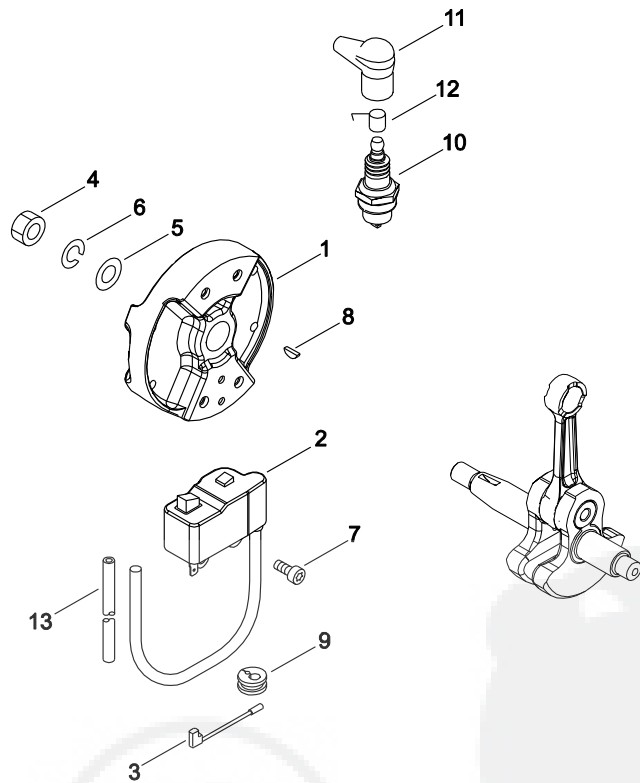
KEY	LV	PART NUMBER	Q'TY	DESCRIPTION	REMARKS	NOTE1	NOTE2
1		A011-001390	1	CRANKSHAFT,ASY			
2		P021-048140	1	PISTON KIT			
3	+	100011-32330	2	RING, PISTON			
4	+	V608-000000	1	PIN,ENG 10			
5	+	V555-000010	1	BEARING,NEEDLE 10			
6	+	100014-17330	2	SPACER, PISTON PIN			
7	+	V580-000010	2	RING,END	10		
8		A130-002250	1	CYLINDER	46 4TW		
9		V100-000810	1	GASKET,CYL	T=0.5		
10		V805-000210	4	BOLT, TORX 5	TB-5*20 12.9		
11		V805-000040	1	BOLT, TORX 5	TT-5*55 DG 10.9		
12		A190-001480	1	COVER,ENGINE			
13		V805-000010	3	BOLT, TORX 5	TT-5*20 DG 10.9		
14		X505-002310	1	LABEL,CAUTION	HOT CAUTION		

## 2. CRANKCASE



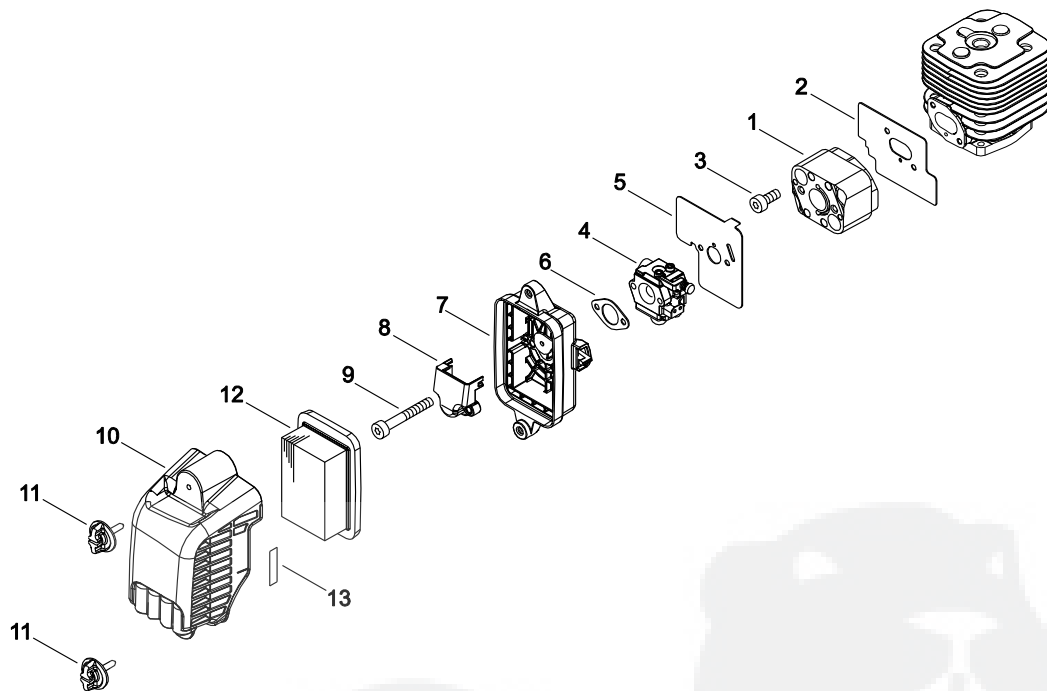
KEY	LV	PART NUMBER	Q'TY	DESCRIPTION	REMARKS	NOTE1	NOTE2
1		P021-048150	1	CRANKCASE SET			
2	+	94000-36302	1	BALL BEARING 6302 C3			
3	+	100213-00310	1	OILSEAL	ISCD 15 25 7		
4	+	900810-36202	1	BEARING, BALL 6202	6202/C3		
5	+	V508-000100	1	SEAL,OIL 15	ISCD 15*25*7		
6	+	V102-000270	1	GASKET,CRANKCASE	T=0.3		
7	+	V805-000180	4	BOLT, TORX 5	TB-5*30 12.9		
8		V401-000600	1	CUSHION,5			
9		V805-000140	1	BOLT, TORX 5	TB-5*12 10.9		
10		A127-000420	1	COVER,DUST			
11		V805-000250	1	BOLT, TORX 5	TB-5*16 12.9		
12		V805-000180	6	BOLT, TORX 5	TB-5*30 12.9		
13		V485-002770	1	LEAD			

3. MAGNETO



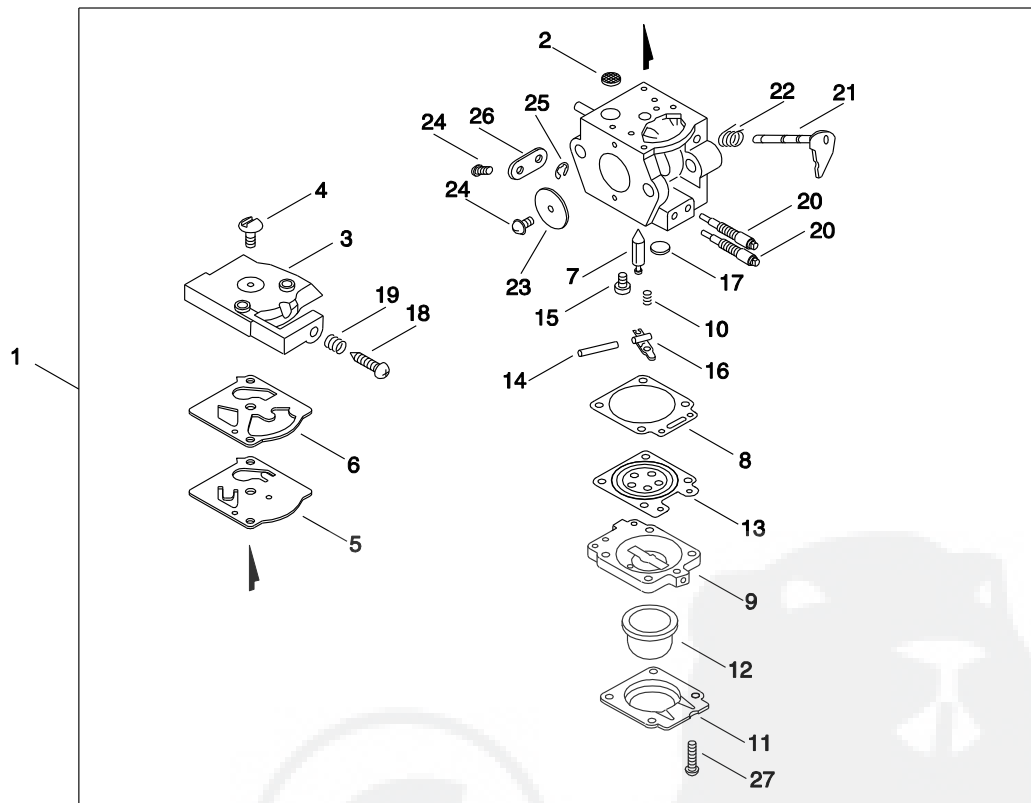
KEY	LV	PART NUMBER	QTY	DESCRIPTION	REMARKS	NOTE1	NOTE2
1		A409-001270	1	ROTOR, MAGNETO	ID#R10025		
2		A411-001620	1	COIL, IGNITION	ID#A10058		
3		V485-002780	1	LEAD	L250 CB104		
4		900501-00010	1	NUT 10*1.25	10*P1.25		
5		900602-00010	1	WASHER 10(10.5*21*2)	10.5*21*2		
6		900605-00010	1	WASHER, SPRING 10	10		
7		V805-000250	2	BOLT, TORX 5	TB-5*16 12.9		
8		900323-03014	1	KEY WOODRUFF	3*14		
9		151112-04630	1	BUSHING			
10		A425-000000	1	SPARKPLUG	BPMR8Y		
11		159012-03433	1	CAP, SPARK PLUG			
12		159011-03432	1	COIL, SPARK PLUG			
13		V475-008320	1	TUBE	6.3*8*350		

## 4. AIR CLEANER, CARBURETOR



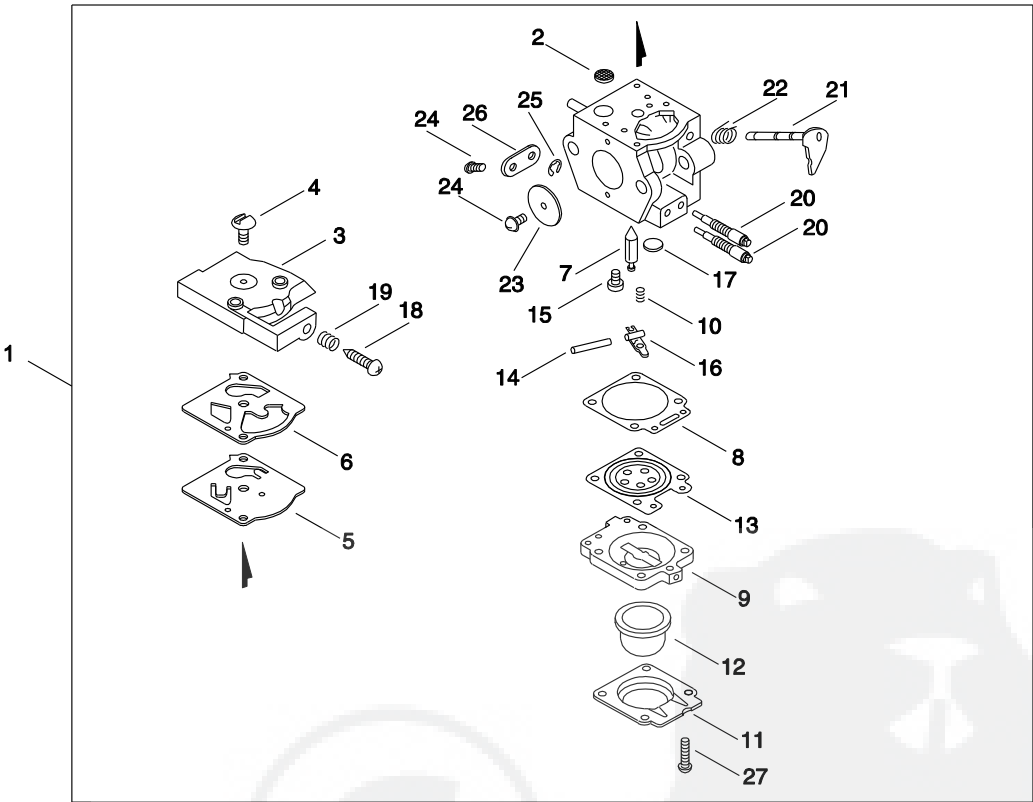
KEY	LV	PART NUMBER	Q'TY	DESCRIPTION	REMARKS	NOTE1	NOTE2
1		A200-001040	1	INSULATOR, INTAKE			
2		V103-001770	1	GASKET,INTAKE	NP4190 T:1.0		
3		V805-000220	2	BOLT, TORX 5	TB-5*25 12.9		
4		A021-004330	1	CARBURETOR,DIAPHRAGM	WTA-35		
5		V103-001780	1	GASKET,INTAKE	NP6630 T:1.0		
6		V103-001790	1	GASKET,INTAKE	NP7010 T:1.2		
7		P021-047960	1	CASE,CLEANER			
8		A244-000300	1	PLATE, PREVENT			
9		V805-000340	2	BOLT, TORX 5	TB-5*60 10.9		
10		A232-001780	1	LID,CLEANER			
11		A235-000380	2	KNOB,CLEANER LID			
12		A226-000032	1	ELEMENT,AIR FILTER			
13		890332-52730	1	LABEL, CHOKE			

## 5. CARBURETOR



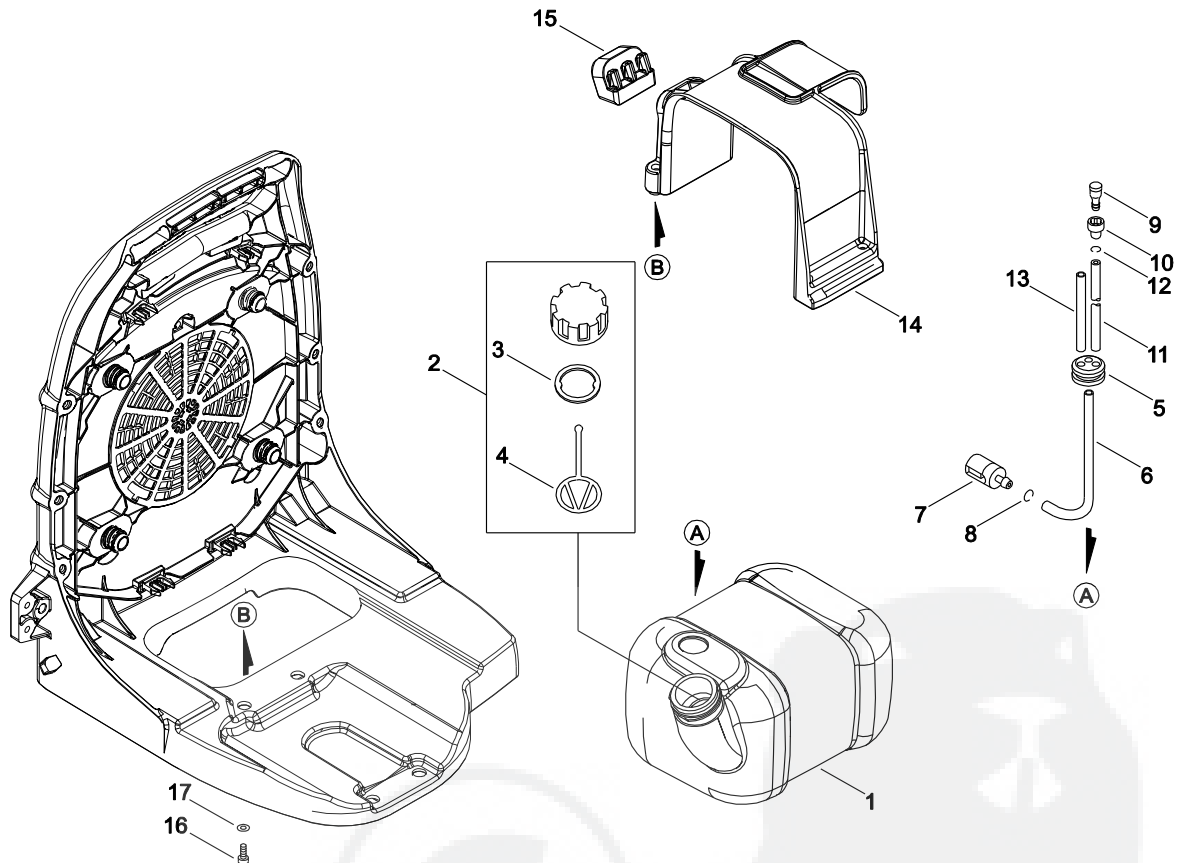
KEY	LV	PART NUMBER	Q'TY	DESCRIPTION	REMARKS	NOTE1	NOTE2
1		A021-004330	1	CARBURETOR,DIAPHRAGM	WTA-35		
2	+	123126-10631	1	SCREEN, INLET			
3	+	P003-005520	1	COVER, FUEL PUMP			
4	+	123110-03930	1	SCREW, PUMP COVER			
5	+	123112-15030	1	DIAPHRAGM, FUEL PUMP			
6	+	123125-15030	1	GASKET, FUEL PUMP			
7	+	123137-19830	1	VALVE, INLET NEEDLE			
8	+	P003-003840	1	GASKET, M. DIAPHRAGM			
9	+	123180-46130	1	BODY, AIR PURGE			
10	+	123122-03660	1	SPRING, METER. LEVER			
11	+	123142-05560	1	COVER, PRIMER PUMP			
12	+	123181-40630	1	PUMP, PRIMER			
13	+	P003-001850	1	DIAPHRAGM, METERING			
14	+	123138-03930	1	PIN, METERING LEVER			
15	+	P003-005400	1	SCREW			
16	+	123123-03930	1	LEVER, METERING			
17	+	123146-10631	1	PLUG, WELCH			
18	+	P003-001400	1	SCREW, IDLE ADJUST			
19	+	123133-04260	1	SPRING, IDLE ADJUST			
20	+	P003-004010	2	NEEDLE			
21	+	P003-005530	1	SHAFT ASY, THROTTLE			
22	+	P003-003890	1	SPRING			
23	+	123116-10530	1	VALVE, THROTTLE			
24	+	123114-38830	2	SCREW			
25	+	123127-15030	1	RING			

5. CARBURETOR



KEY	LV	PART NUMBER	QTY	DESCRIPTION	REMARKS	NOTE1	NOTE2
26	+	P003-003910	1	THROTTLE, LEVER			
27	+	123144-02960	4	SCREW			

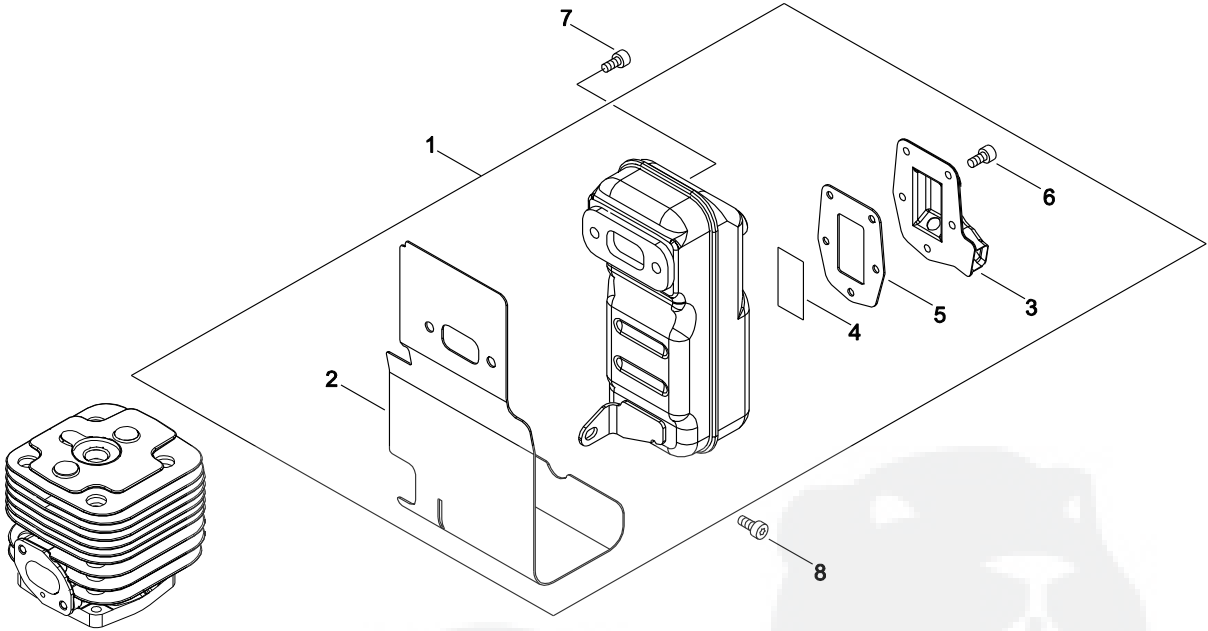
## 6. FUEL TANK



KEY	LV	PART NUMBER	QTY	DESCRIPTION	REMARKS	NOTE1	NOTE2
1		A350-000151	1	TANK,FUEL			
2		131004-55530	1	CAP ASSY, FUEL TANK			
3	+	131016-55830	1	GASKET, FUEL CAP			
4	+	131051-56030	1	CLIP, FUEL CAP	100L		
5		132115-55930	1	GROMMET, FUEL			
6		V471-004790	1	PIPE	3*5*325		
7		A369-000440	1	STRAINER, FUEL	125-952		
8		V490-001240	1	CLIP			
9		A356-000031	1	VALVE,CHECK			
10		131328-40630	1	COVER, VENT			
11		V471-004780	1	PIPE	3*6*40		
12		V490-001230	1	CLIP			
13		V471-004760	1	PIPE	3*6*180		
14		A392-000390	1	BAND, FUEL TANK			
15		V420-004620	1	CUSHION			
16		V805-000160	4	BOLT, TORX 5	TB-5*20 10.9		
17		613019-07350	4	WASHER 5.5*16*2T	5.5*16*2T		

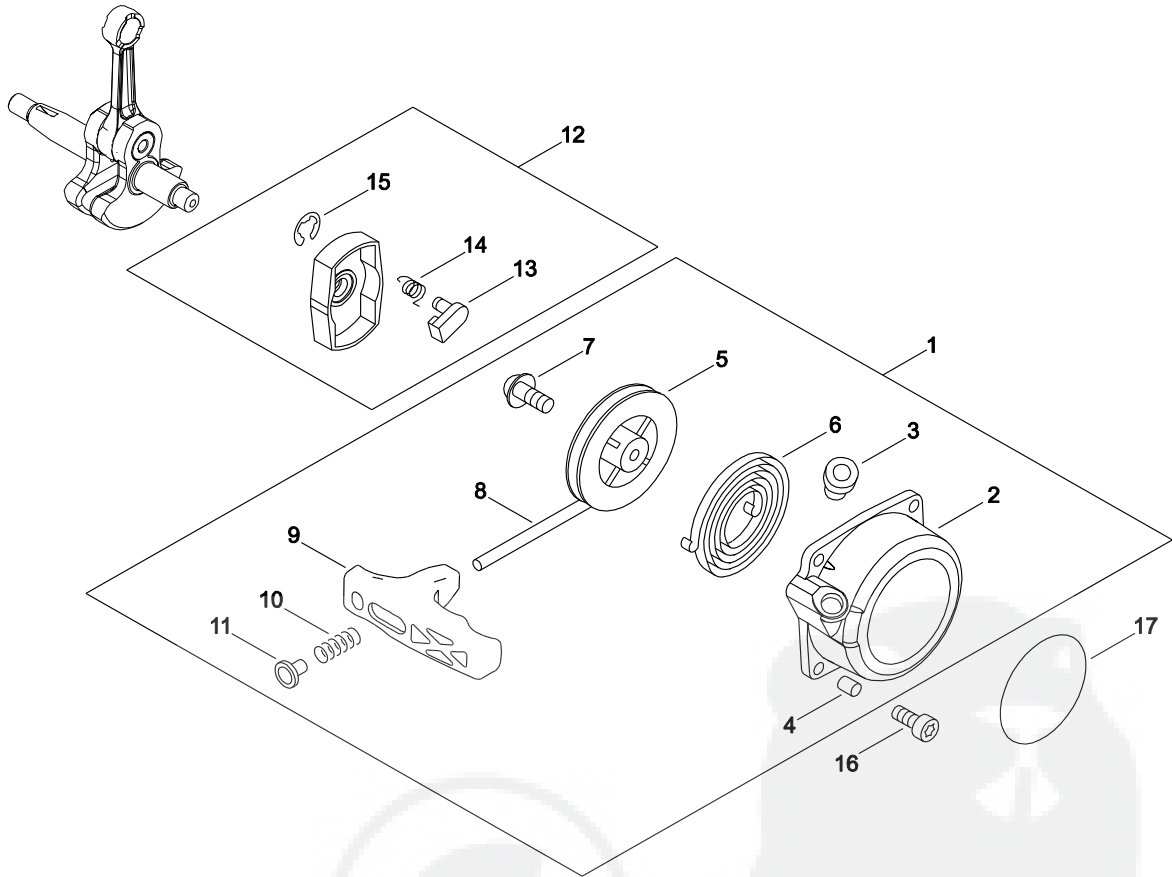


7. MUFFLER



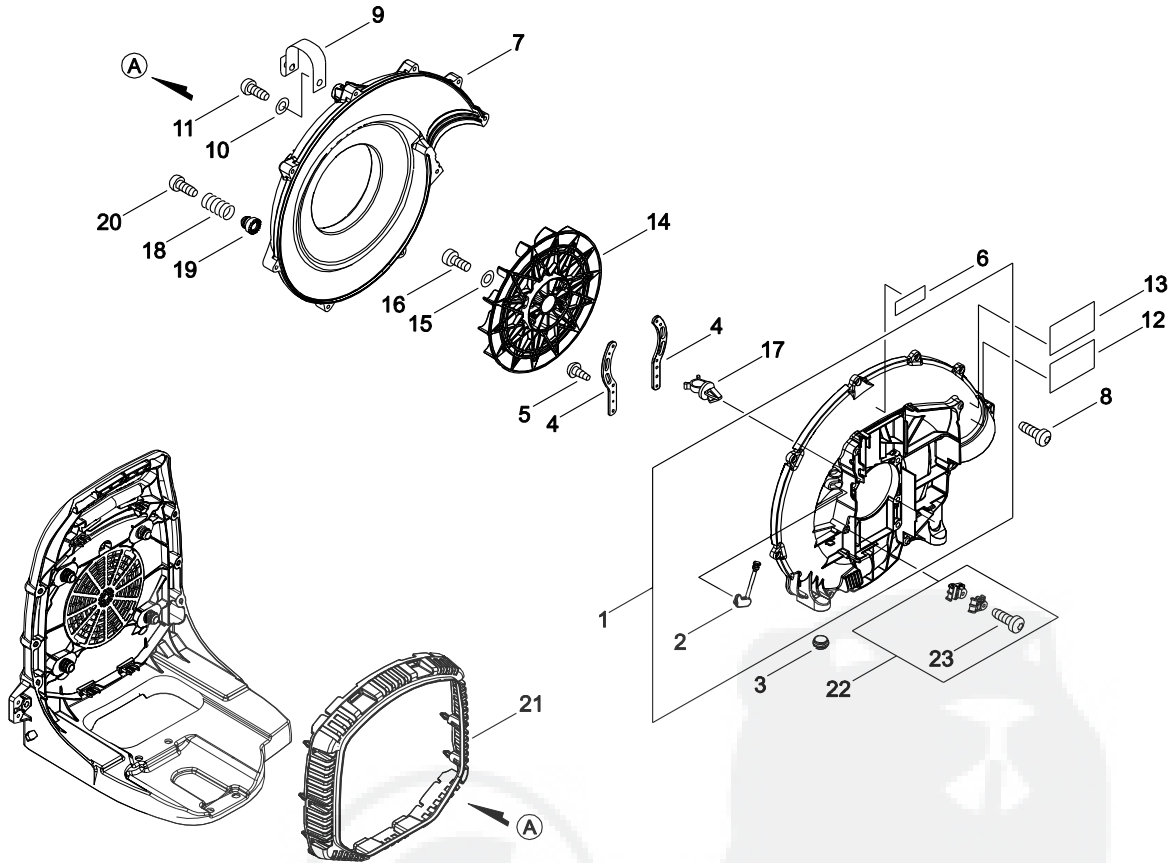
KEY	LV	PART NUMBER	Q'TY	DESCRIPTION	REMARKS	NOTE1	NOTE2
1		P021-048160	1	MUFFLER ASY			
2	+	V104-002230	1	GASKET,EXHAUST	T=1.0		
3	+	A313-001630	1	GUIDE, EXHAUST			
4	+	145862-06720	1	SCREEN, MUFFLER			
5	+	V104-002220	1	GASKET,EXHAUST	T1.0		
6	+	V804-000040	5	BOLT, TORX 4	TB-4*10 10.9		
7		900105-06020	2	BOLT, H.S. 6*20	6*20		
8		V805-000250	1	BOLT, TORX 5	TB-5*16 12.9		

## 8. RECOIL STARTER, PULLEY



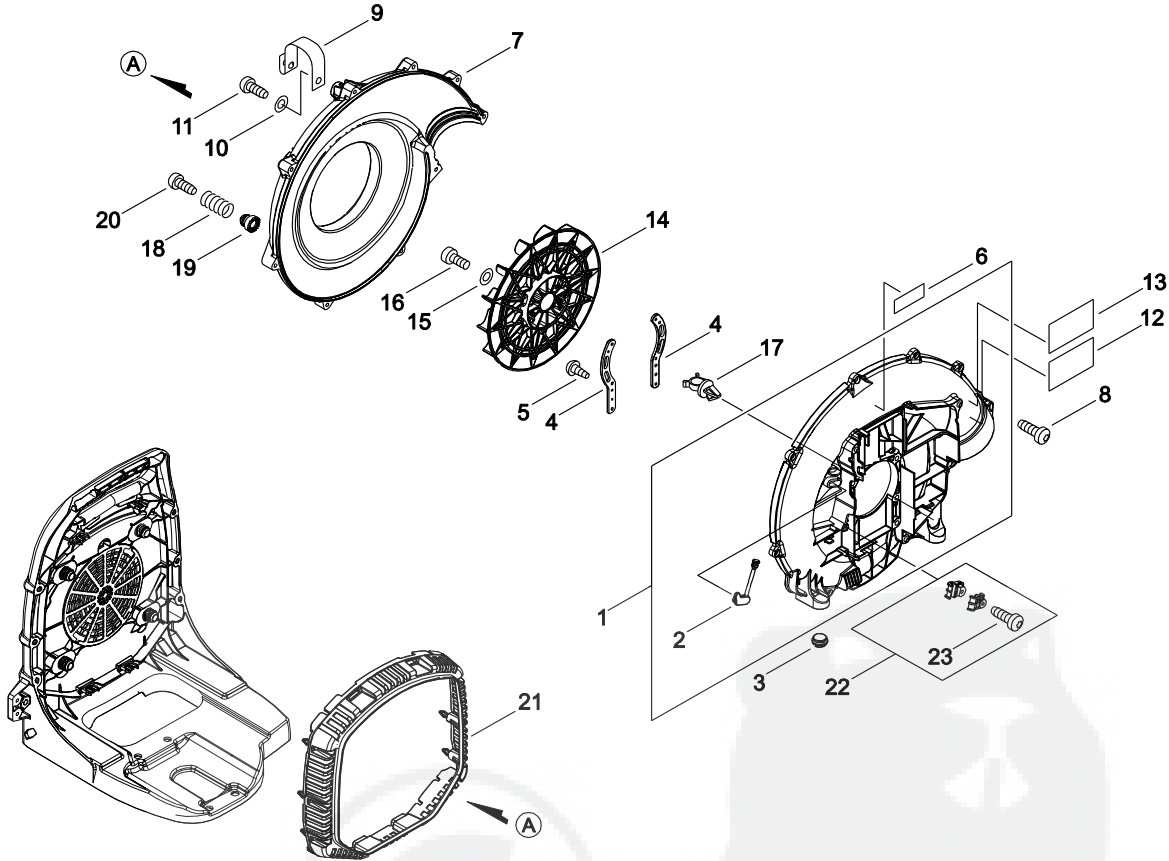
KEY	LV	PART NUMBER	Q'TY	DESCRIPTION	REMARKS	NOTE1	NOTE2
1		A051-002980	1	STARTER,RECOIL ASY			
2	+	P022-038550	1	CASE, STARTER			
3	+	177227-42030	1	GUIDE, ROPE			
4	+	P022-038560	4	SPACE, PIPE			
5	+	P022-036630	1	DRUM, STARTER			
6	+	P022-036640	1	SPRING, SPIRAL			
7	+	177236-44330	1	SCREW			
8	+	P022-038570	1	ROPE			
9	+	P022-036780	1	GRIP, STARTER			
10	+	V450-001170	1	SPRING, COMPRESSION			
11	+	V376-001400	1	SPACER			
12		A052-000490	1	PULLEY, ASM STARTER			
13	+	P022-036620	2	PAWL, STARTER			
14	+	177234-40630	2	SPRING, RETURN			
15	+	P022-002100	2	E-RING	4		
16		V805-000160	4	BOLT, TORX 5	TB-5*20 10.9		
17		X502-000410	1	LABEL, ECHO			

## 9. FAN CASE



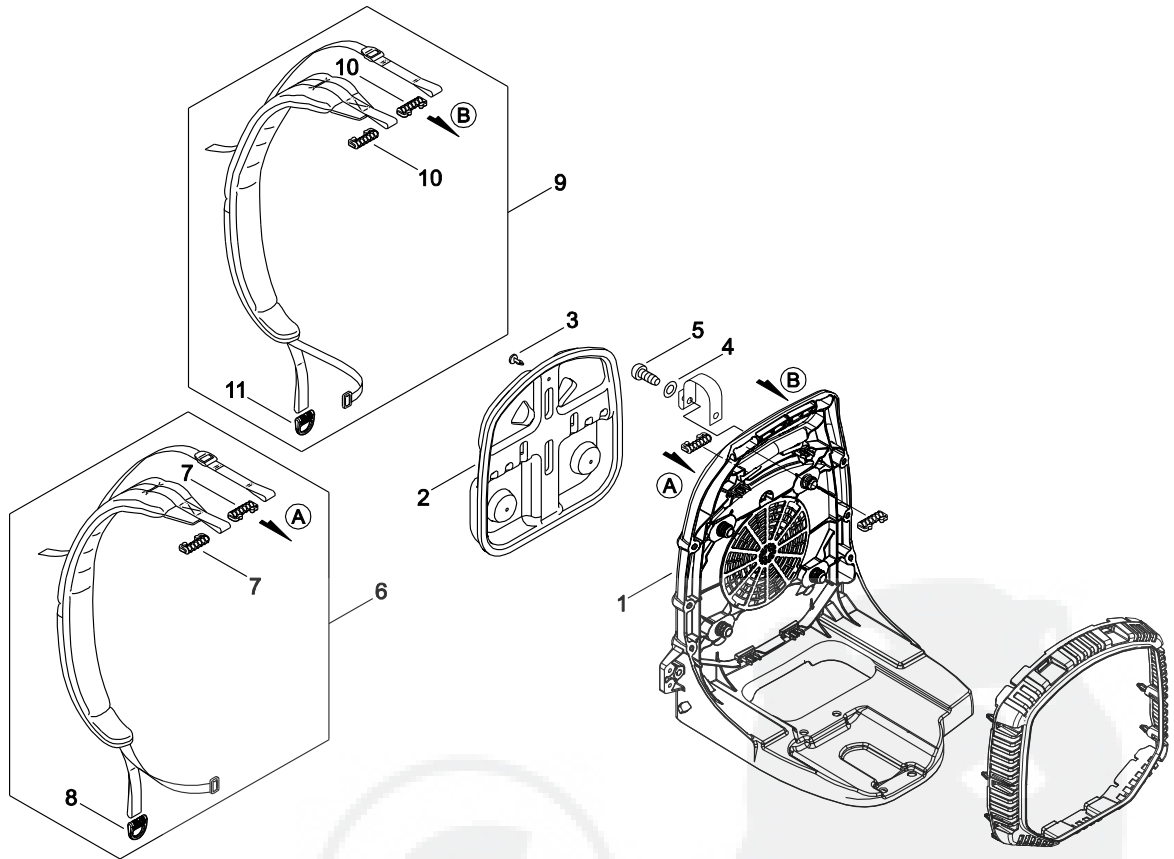
KEY	LV	PART NUMBER	Q'TY	DESCRIPTION	REMARKS	NOTE1	NOTE2
1		P021-048180	1	CASE,FAN KIT			
2	+	V144-000670	1	GROMMET			
3		V420-000910	2	CUSHION			
4		C632-000250	2	PLATE, ENG			
5		900246-03012	2	SCREW 3*12	3*12		
6		X503-013080	1	LABEL,MODEL	PB-580		
7		E103-001301	1	CASE,FAN			
8		V805-000010	8	BOLT, TORX 5	TT-5*20 DG 10.9		
9		C617-000730	1	STOPPER	20*120*T1.2		
10		613019-07350	1	WASHER 5.5*16*2T	5.5*16*2T		
11		V805-000010	1	BOLT, TORX 5	TT-5*20 DG 10.9		
12		X505-007910	1	LABEL,CAUTION			
13		X505-002080	1	LABEL,CAUTION			
14		E100-000270	1	FAN,BLOWER			
15		613019-07350	4	WASHER 5.5*16*2T	5.5*16*2T		
16		V805-000180	4	BOLT, TORX 5	TB-5*30 12.9		
17		V491-000110	1	CLIP	.308/.433 CABLE		
18		V450-000780	4	SPRING,COMPRESSION	2.6-19.4-46.2		
19		V456-000330	4	HOLDER,SPRING			
20		V805-000010	4	BOLT, TORX 5	TT-5*20 DG 10.9		

9. FAN CASE



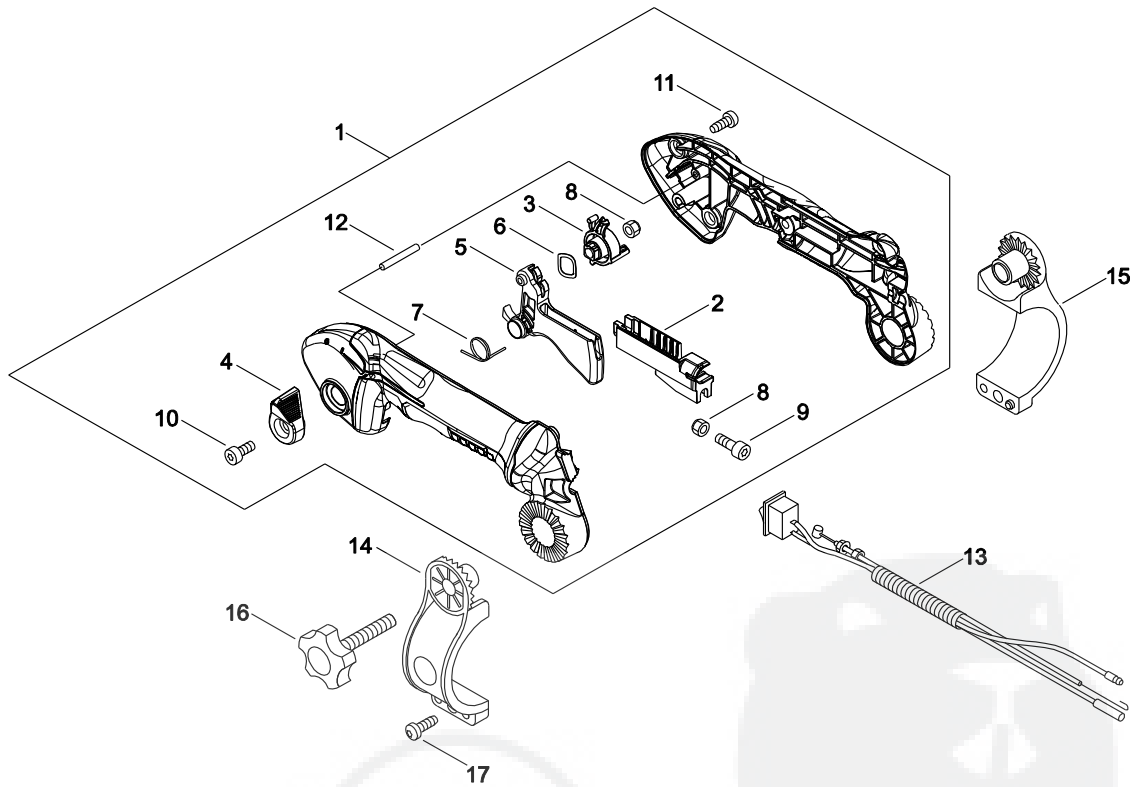
KEY	LV	PART NUMBER	QTY	DESCRIPTION	REMARKS	NOTE1	NOTE2
21		E104-000250	1	GRID, BLOWER			
22		P021-048170	1	BRACKET KIT			
23	+	V805-000230	1	BOLT, TORX 5	TT-5*25 DG 10.9		

# 10. BACKPACK HARNESS



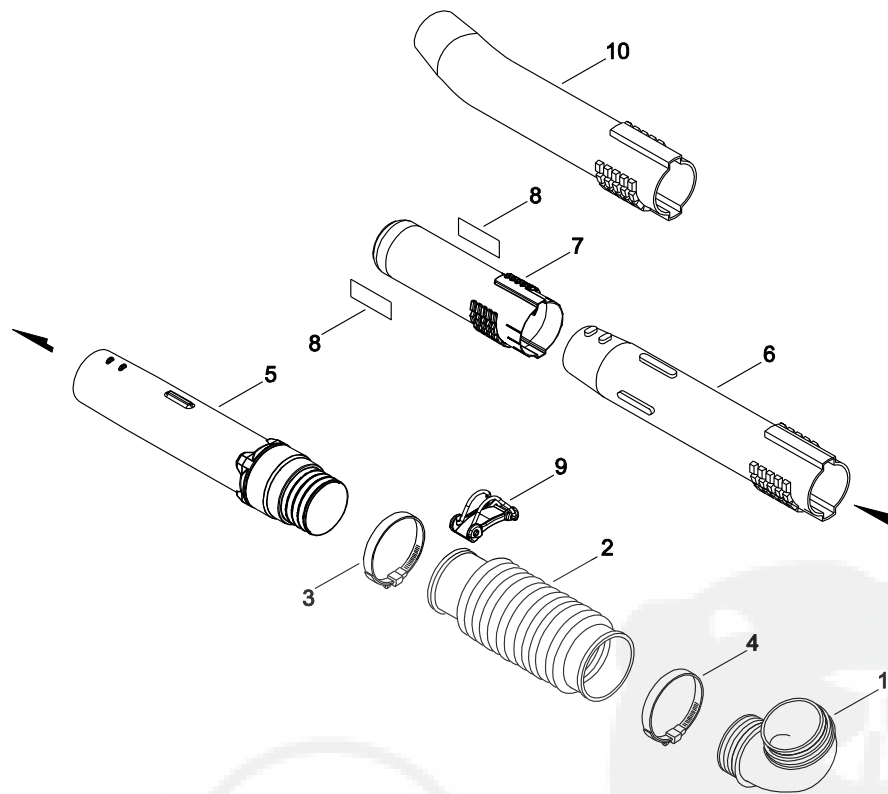
KEY	LV	PART NUMBER	Q'TY	DESCRIPTION	REMARKS	NOTE1	NOTE2
1		C620-000480	1	FRAME, BACKPACK			
2		C630-000190	1	SEAT, BACKPACK	PB-765LN		
3		V491-000090	3	CLIP			
4		613019-07350	1	WASHER 5.5*16*2T	5.5*16*2T		
5		V805-000010	1	BOLT, TORX 5	TT-5*20 DG 10.9		
6		P021-049470	1	HARNESS KIT			
7	+	V491-000480	2	CLIP			
8	+	C645-000080	1	BUCKLE, HARNESS			
9		P021-049480	1	HARNESS KIT			
10	+	V491-000480	2	CLIP			
11	+	C645-000080	1	BUCKLE, HARNESS			

## 11. THROTTLE



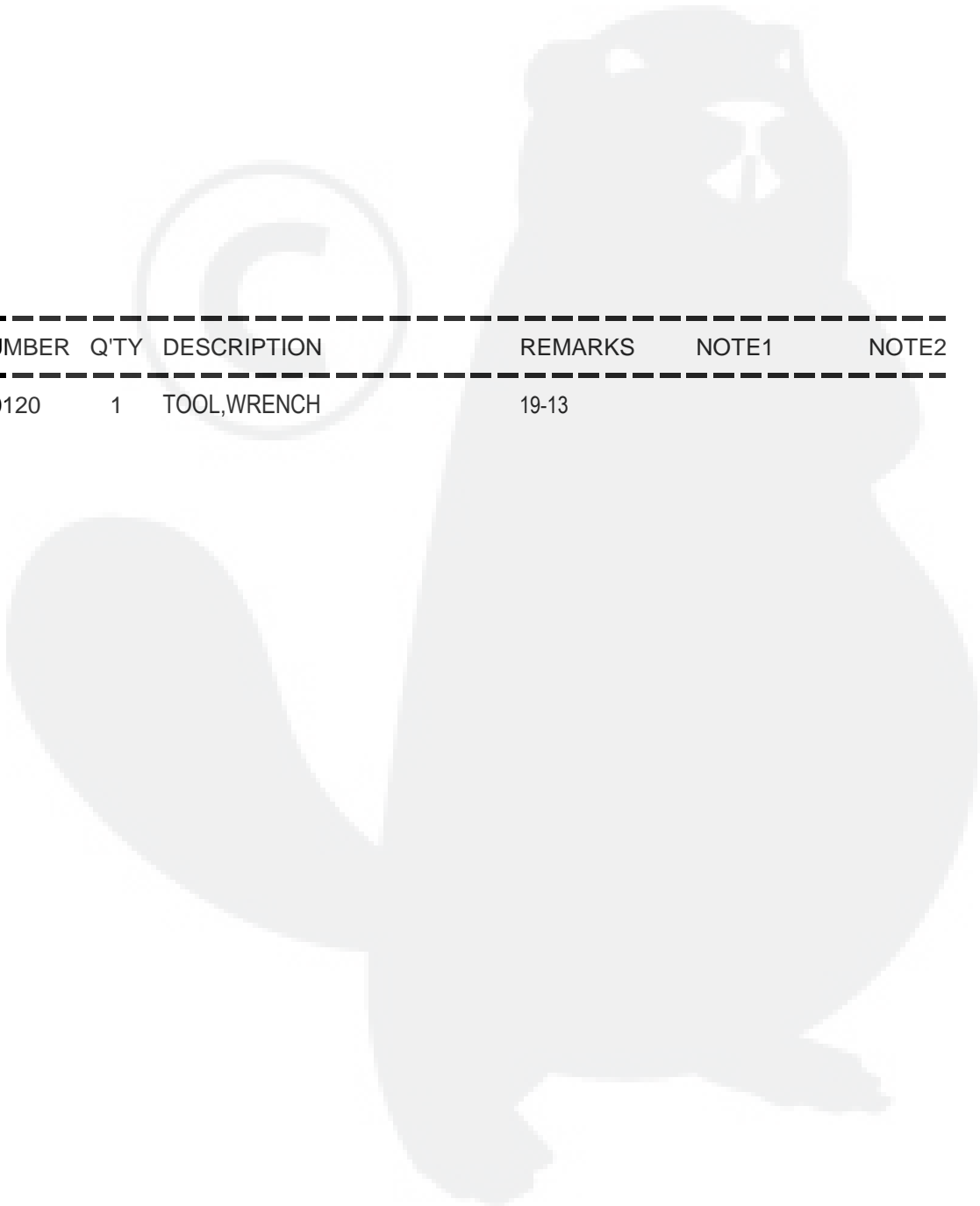
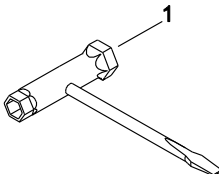
KEY	LV	PART NUMBER	QTY	DESCRIPTION	REMARKS	NOTE1	NOTE2
1		P021-049400	1	FRONT HANDLE SET			
2	+	C482-000100	1	CONNECTOR, CABLE			
3	+	C453-000580	1	LEVER, THROTTLE			
4	+	C453-000560	1	LEVER, THROTTLE			
5	+	C450-000920	1	CONTROL, THROTTLE			
6	+	429752-01850	1	WASHER, WAVE 12			
7	+	V452-001610	1	SPRING, TORSION			
8	+	900562-50005	2	LOCKNUT 5	5		
9	+	V805-000050	1	BOLT, TORX 5	TB-5*30 10.9		
10	+	V805-000160	1	BOLT, TORX 5	TB-5*20 10.9		
11	+	V805-000000	4	BOLT, TORX 5	TT-5*16 DG 10.9		
12	+	V621-000040	1	PIN, STRAIGHT 3	3*32		
13		V043-001060	1	CABLE ASY, CONTROL			
14		C405-000231	1	BRACKET, HANDLE	LEFT SIDE		
15		C405-000241	1	BRACKET, HANDLE	RIGHT SIDE		
16		305812-08260	1	KNOB, FASTENER			
17		V805-000010	1	BOLT, TORX 5	TT-5*20 DG 10.9		

## 12. PIPE



KEY	LV	PART NUMBER	Q'TY	DESCRIPTION	REMARKS	NOTE1	NOTE2
1		E160-000131	1	PIPE,MAIN			
2		E164-000080	1	PIPE,FLEXIBLE			
3		V495-000430	1	BAND	58.7MM / 82.5MM		
4		V495-000440	1	BAND	77.8MM /101.6MM		
5		E165-000800	1	PIPE,BLOWER			
6		E165-000141	1	PIPE,BLOWER	418MM * 73/79MM		
7		E165-000790	1	PIPE,BLOWER			
8		890118-04262	2	LABEL, ECHO	194*44		
9		C487-000420	1	HOLDER, CABLE			
10		E165-000160	1	PIPE,BLOWER	418MM*65/79MM		

13. ACCESSORIES



KEY	LV	PART NUMBER	Q'TY	DESCRIPTION	REMARKS	NOTE1	NOTE2
1		X602-000120	1	TOOL,WRENCH	19-13		



**Index**

<b>Patrs Number</b>	<b>Key No.</b>	<b>Patrs Number</b>	<b>Key No.</b>	<b>Patrs Number</b>	<b>Key No.</b>
100011-32330	1 - 3	A011-001390	1 - 1	P003-005400	5 - 15
100014-17330	1 - 6	A021-004330	4 - 4	P003-005520	5 - 3
100213-00310	2 - 3	A021-004330	5 - 1	P003-005530	5 - 21
123110-03930	5 - 4	A051-002980	8 - 1	P021-047960	4 - 7
123112-15030	5 - 5	A052-000490	8 - 12	P021-048140	1 - 2
123114-38830	5 - 24	A127-000420	2 - 10	P021-048150	2 - 1
123116-10530	5 - 23	A130-002250	1 - 8	P021-048160	7 - 1
123122-03660	5 - 10	A190-001480	1 - 12	P021-048170	9 - 22
123123-03930	5 - 16	A200-001040	4 - 1	P021-048180	9 - 1
123125-15030	5 - 6	A226-000032	4 - 12	P021-049400	11 - 1
123126-10631	5 - 2	A232-001780	4 - 10	P021-049470	10 - 6
123127-15030	5 - 25	A235-000380	4 - 11	P021-049480	10 - 9
123133-04260	5 - 19	A244-000300	4 - 8	P022-002100	8 - 15
123137-19830	5 - 7	A313-001630	7 - 3	P022-036620	8 - 13
123138-03930	5 - 14	A350-000151	6 - 1	P022-036630	8 - 5
123142-05560	5 - 11	A356-000031	6 - 9	P022-036640	8 - 6
123144-02960	5 - 27	A369-000440	6 - 7	P022-036780	8 - 9
123146-10631	5 - 17	A392-000390	6 - 14	P022-038550	8 - 2
123180-46130	5 - 9	A409-001270	3 - 1	P022-038560	8 - 4
123181-40630	5 - 12	A411-001620	3 - 2	P022-038570	8 - 8
131004-55530	6 - 2	A425-000000	3 - 10	V043-001060	11 - 13
131016-55830	6 - 3	C405-000231	11 - 14	V100-000810	1 - 9
131051-56030	6 - 4	C405-000241	11 - 15	V102-000270	2 - 6
131328-40630	6 - 10	C450-000920	11 - 5	V103-001770	4 - 2
132115-55930	6 - 5	C453-000560	11 - 4	V103-001780	4 - 5
145862-06720	7 - 4	C453-000580	11 - 3	V103-001790	4 - 6
151112-04630	3 - 9	C482-000100	11 - 2	V104-002220	7 - 5
159011-03432	3 - 12	C487-000420	12 - 9	V104-002230	7 - 2
159012-03433	3 - 11	C617-000730	9 - 9	V144-000670	9 - 2
177227-42030	8 - 3	C620-000480	10 - 1	V376-001400	8 - 11
177234-40630	8 - 14	C630-000190	10 - 2	V401-000600	2 - 8
177236-44330	8 - 7	C632-000250	9 - 4	V420-000910	9 - 3
305812-08260	11 - 16	C645-000080	10 - 8	V420-004620	6 - 15
429752-01850	11 - 6	C645-000080	10 - 11	V450-000780	9 - 18
613019-07350	6 - 17	E100-000270	9 - 14	V450-001170	8 - 10
613019-07350	9 - 10	E103-001301	9 - 7	V452-001610	11 - 7
613019-07350	9 - 15	E104-000250	9 - 21	V456-000330	9 - 19
613019-07350	10 - 4	E160-000131	12 - 1	V471-004760	6 - 13
890118-04262	12 - 8	E164-000080	12 - 2	V471-004780	6 - 11
890332-52730	4 - 13	E165-000141	12 - 6	V471-004790	6 - 6
900105-06020	7 - 7	E165-000160	12 - 10	V475-008320	3 - 13
900246-03012	9 - 5	E165-000790	12 - 7	V485-002770	2 - 13
900323-03014	3 - 8	E165-000800	12 - 5	V485-002780	3 - 3
900501-00010	3 - 4	P003-001400	5 - 18	V490-001230	6 - 12
900562-50005	11 - 8	P003-001850	5 - 13	V490-001240	6 - 8
900602-00010	3 - 5	P003-003840	5 - 8	V491-000090	10 - 3
900605-00010	3 - 6	P003-003890	5 - 22	V491-000110	9 - 17
900810-36202	2 - 4	P003-003910	5 - 26	V491-000480	10 - 7
94000-36302	2 - 2	P003-004010	5 - 20	V491-000480	10 - 10

## Index

Patrs Number	Key No.	Patrs Number	Key No.	Patrs Number	Key No.
V495-000430	12 - 3				
V495-000440	12 - 4				
V508-000100	2 - 5				
V555-000010	1 - 5				
V580-000010	1 - 7				
V608-000000	1 - 4				
V621-000040	11 - 12				
V804-000040	7 - 6				
V805-000000	11 - 11				
V805-000010	1 - 13				
V805-000010	9 - 8				
V805-000010	9 - 11				
V805-000010	9 - 20				
V805-000010	10 - 5				
V805-000010	11 - 17				
V805-000040	1 - 11				
V805-000050	11 - 9				
V805-000140	2 - 9				
V805-000160	6 - 16				
V805-000160	8 - 16				
V805-000160	11 - 10				
V805-000180	2 - 7				
V805-000180	2 - 12				
V805-000180	9 - 16				
V805-000210	1 - 10				
V805-000220	4 - 3				
V805-000230	9 - 23				
V805-000250	2 - 11				
V805-000250	3 - 7				
V805-000250	7 - 8				
V805-000340	4 - 9				
X502-000410	8 - 17				
X503-013080	9 - 6				
X505-002080	9 - 13				
X505-002310	1 - 14				
X505-007910	9 - 12				
X602-000120	13 - 1				

# YAMABIKO CORPORATION

7-2 SUEHIROCHO 1-CHOME, OHME, TOKYO 198-8760, JAPAN  
PHONE: 81-428-32-6118. FAX: 81-428-32-6145.

The ECHO logo features the word "ECHO" in a bold, italicized, sans-serif font. To the left of the text is a circular emblem containing a stylized, concentric design. A registered trademark symbol (®) is located at the end of the word.

**ECHO®**



-15D  
No. 07-187