



PARTS CATALOG

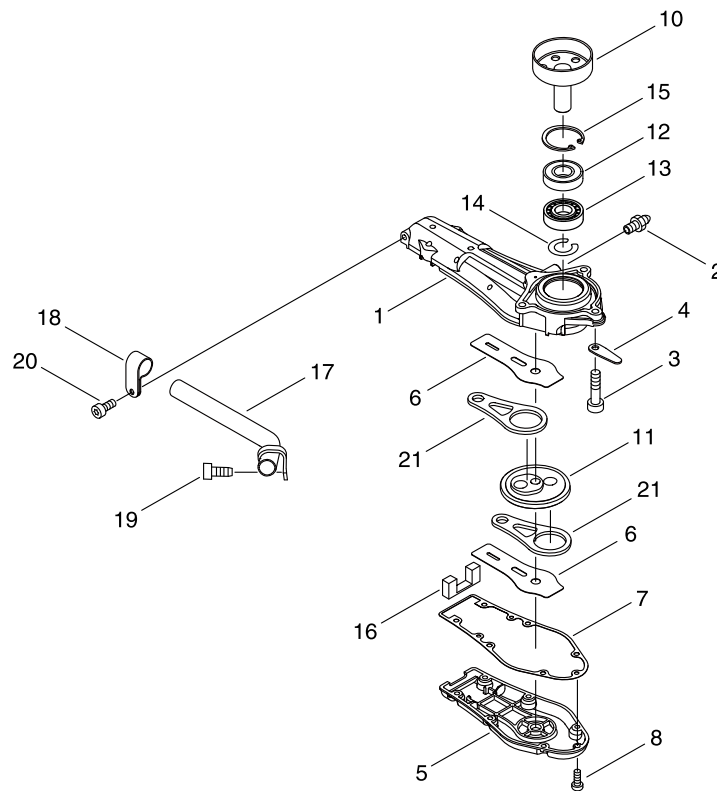
HEDGE TRIMMER HCR-165ES(37)

37001001 -

CE

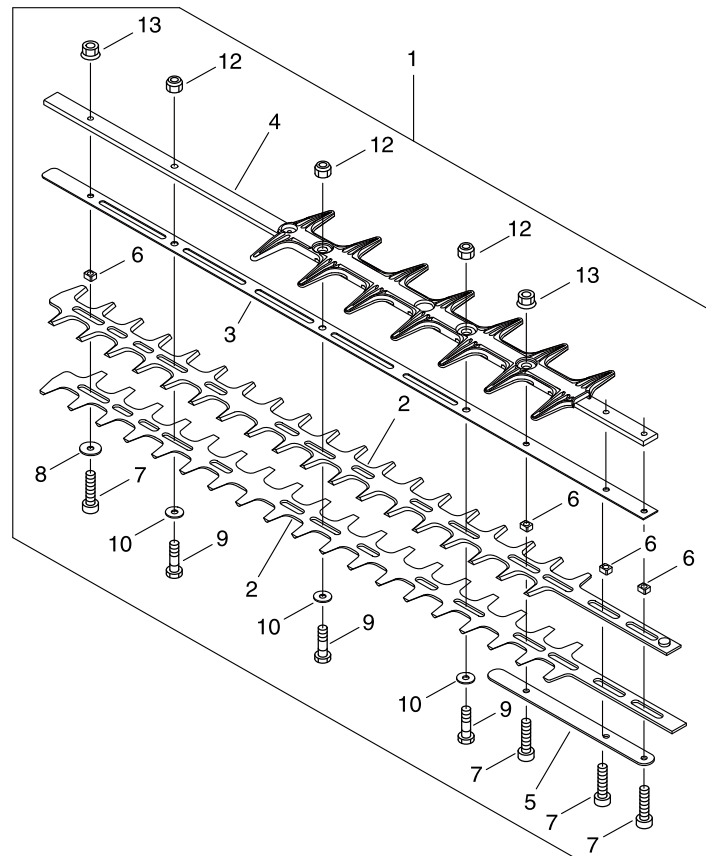
P014-003700-13Lb

1. GEAR CASE



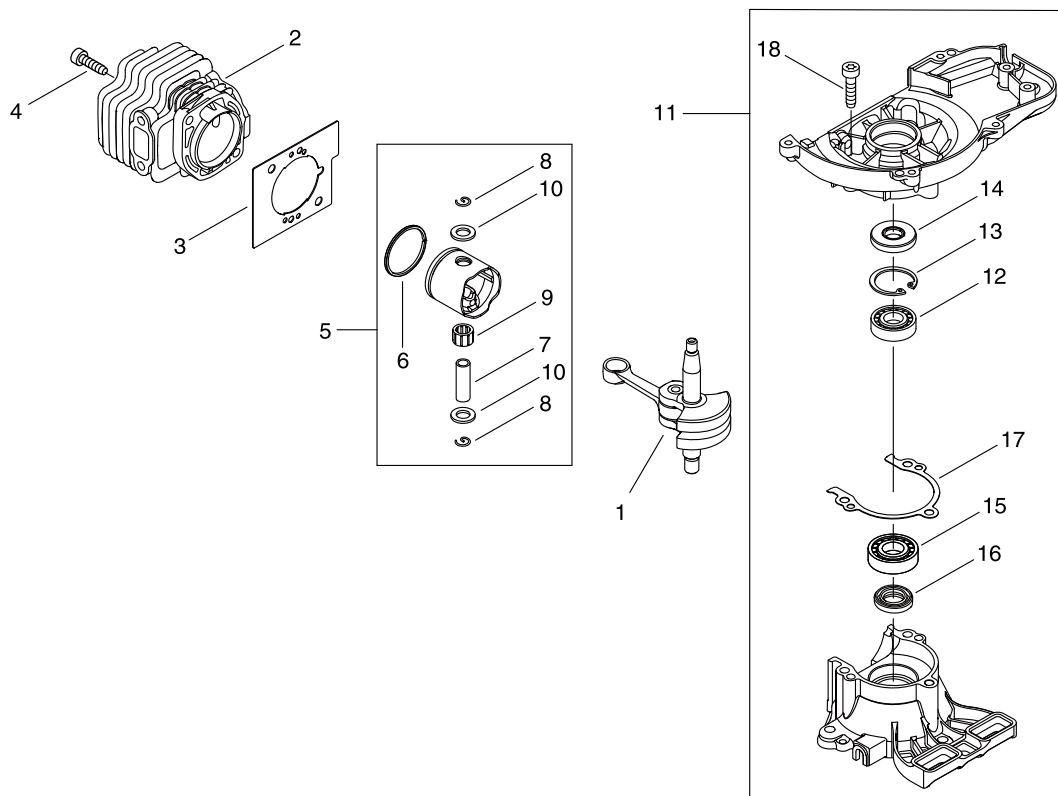
KEY	LV	PART NUMBER	Q'TY	DESCRIPTION	REMARKS	NOTE1	NOTE2
1		P021-013070	1	CASE,GEAR			
2	+	880110-10860	1	NIPPLE, GREASE			
3		V806-000140	3	BOLT, TORX 6			
4		C628-000160	1	PIECE, PLATE			
5		C539-000020	1	LID,GEARCASE			
6		V150-001810	2	PLATE,EYE	T0.5		
7		V110-000060	1	GASKET,GEAR CASE	T0.3		
8		V804-000060	6	BOLT, TORX 4	TB-4*16 10.9		
10		A556-001630	1	DRUM, CLUTCH			
11		V650-000300	1	GEAR,SPUR	46T		
12		900812-06202	1	BEARING, BALL 6202	6202DDU(LLU)		
13		900810-36202	1	BEARING, BALL 6202	6202/C3		
14		900701-00014	1	CIRCLIP 14	CS-14		
15		900702-00035	1	CIRCLIP 35	CR-35		
16		V541-000140	1	SEAL			
17		A313-002000	1	GUIDE, EXHAUST			
18		A319-000510	1	STAY, MUFFLER			
19		V805-000130	1	BOLT, TORX 5	TB-5*10 10.9		
20		V804-000040	1	BOLT, TORX 4	TB-4*10 10.9		
21		C532-000170	2	ROD, CONNECTING			

2. BLADE



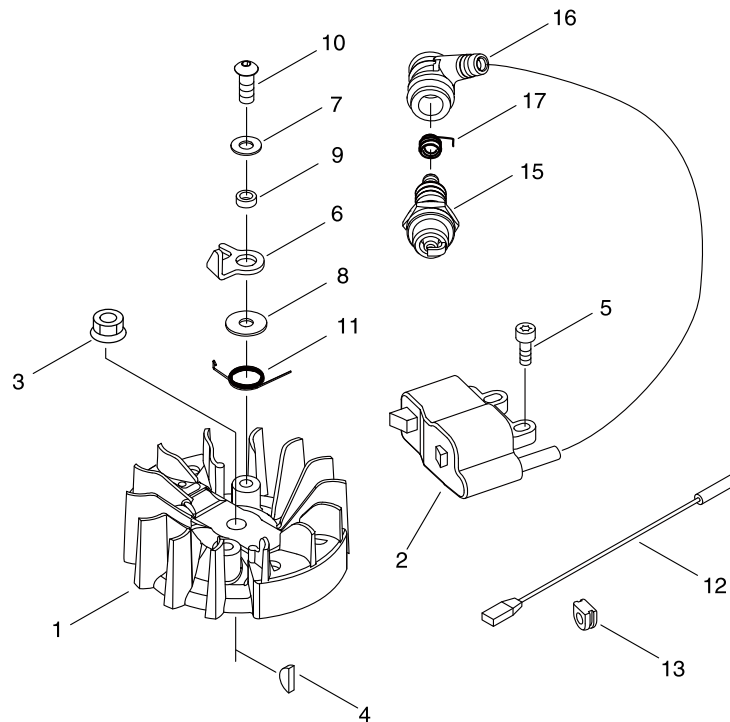
KEY	LV	PART NUMBER	Q'TY	DESCRIPTION	REMARKS	NOTE1	NOTE2
1		X041-000490	1	CUTTER,ASM			
2	+	X412-000640	2	CUTTER			
3	+	X425-000840	1	SUPPORT,CUTTER			
4	+	X425-000900	1	SUPPORT,CUTTER			
5	+	V150-001800	1	PLATE,EYE	T2.0		
6	+	V353-000250	4	COLLAR	9*7.45*5.3		
7	+	V805-000170	4	BOLT, TORX 5	TB-5*25 10.9		
8	+	177214-21860	1	WASHER	5.2*16*1.6T		
9	+	V204-000510	3	BOLT			
10	+	V304-000240	3	WASHER			
12	+	433022-06460	3	NUT			
13	+	92108-05000	2	NUT, FLANGE			

3. CYLINDER, CRANKCASE, PISTON



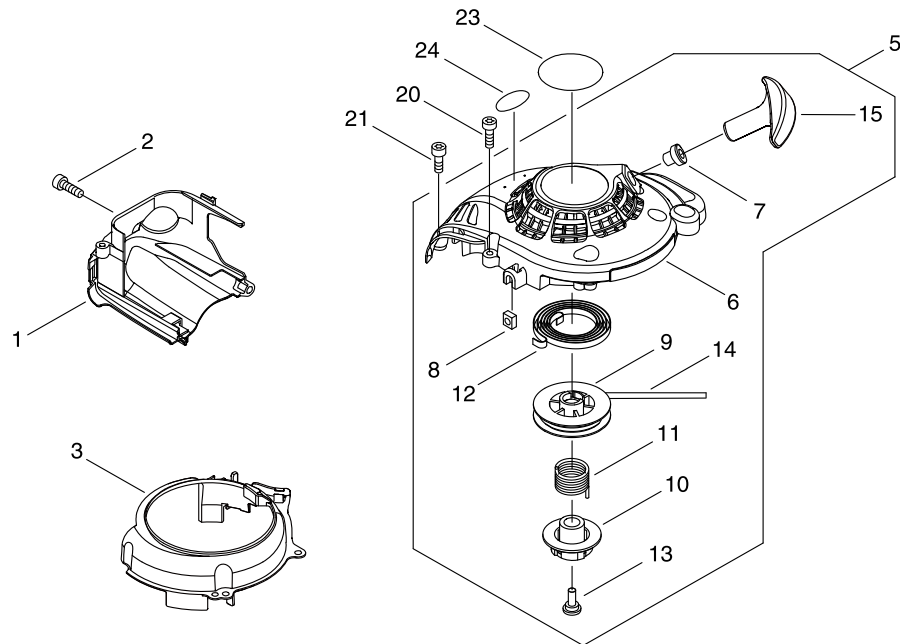
KEY	LV	PART NUMBER	Q'TY	DESCRIPTION	REMARKS	NOTE1	NOTE2
1		A011-001360	1	CRANKSHAFT,ASY			
2		A130-001960	1	CYLINDER			
3		V100-000720	1	GASKET,CYL			
4		V805-000210	2	BOLT, TORX 5	TB-5*20 12.9		
5		P021-037930	1	PISTON KIT			
6	+	A101-000090	1	RING,PISTON			
7	+	V606-000020	1	PIN,ENG 8	5.8*8*25.5		
8	+	100015-04630	2	CIRCLIP, PISTON PIN			
9	+	100113-05930	1	BEARING, NEEDLE	8*12*8		
10	+	100014-08960	2	SPACER, PISTON PIN			
11		P021-046110	1	CRANKCASE SET			
12	+	900810-36000	1	BEARING, BALL			
13	+	900702-00026	1	CIRCLIP 26	CR-26		
14	+	100213-61830	1	OILSEAL	ISCD 10*26*5		
15	+	900810-36000	1	BEARING, BALL			
16	+	100212-61830	1	OILSEAL	ISCD 10*20*5		
17	+	V102-000240	1	GASKET,CRANKCASE			
18	+	V805-000220	3	BOLT, TORX 5	TB-5*25 12.9		

4. MAGNETO



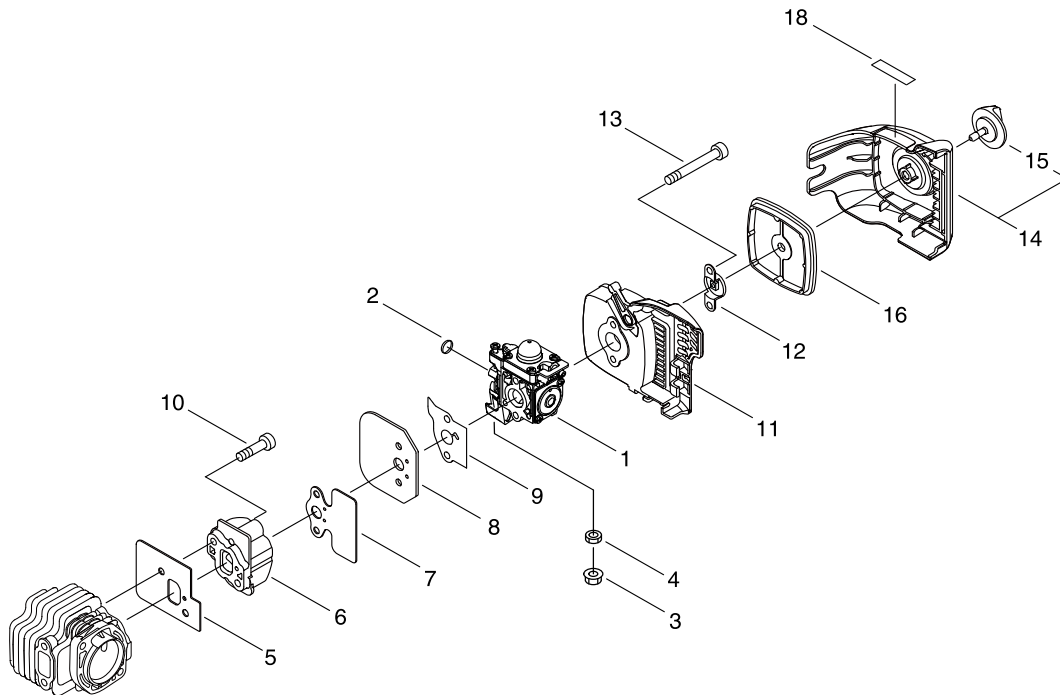
KEY	LV	PART NUMBER	Q'TY	DESCRIPTION	REMARKS	NOTE1	NOTE2
1		A409-001120	1	ROTOR, MAGNETO			
2		A411-001490	1	COIL, IGNITION			
3		92105-06000	1	NUT, FLANGE	M6*1.0 L		
4		100142-12330	1	KEY, WOODRUFF			
5		V804-000060	2	BOLT, TORX 4	TB-4*16 10.9		
6		A514-000260	2	PAWL			
7		900603-00005	2	WASHER 5	5.5*12*0.8		
8		131911-03460	2	WASHER			
9		178070-10860	2	SPACER			
10		V203-000080	2	BOLT,5	5*14		
11		V452-001370	2	SPRING,TORSION			
12		V485-001220	1	LEAD	L:85		
13		V135-000150	1	GROMMET,HT CORD			
15		A425-000000	1	SPARKPLUG	BPMR8Y		
16		A427-000013	1	CAP, SPARK PLUG			
17		A426-000010	1	TERMINAL, SPARKPLUG			

5. RECOIL STARTER



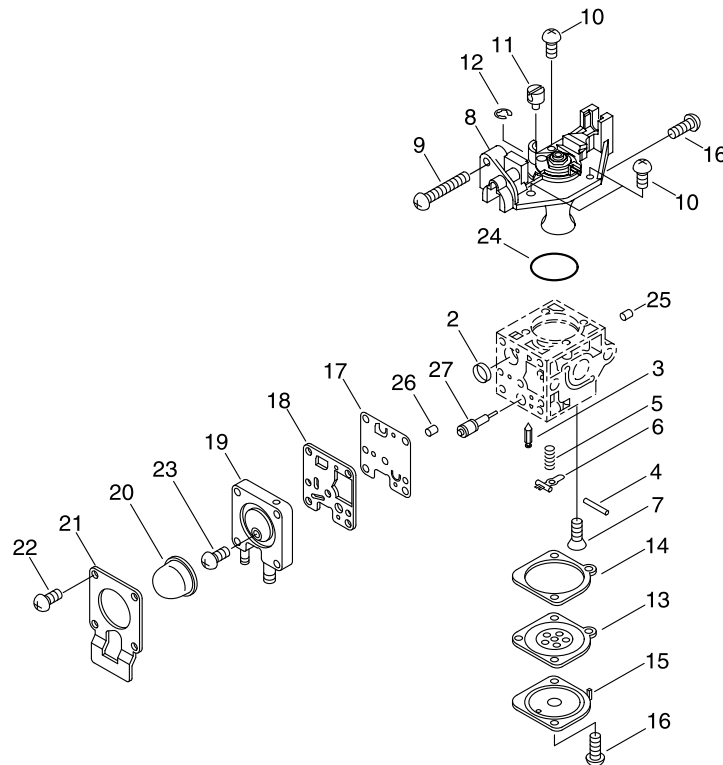
KEY	LV	PART NUMBER	Q'TY	DESCRIPTION	REMARKS	NOTE1	NOTE2
1		A160-002940	1	COVER,CYLINDER			
2		V805-000150	1	BOLT, TORX 5	TB-5*16 10.9		
3		A172-002610	1	COVER,FAN			
5		A051-002372	1	STARTER,RECOIL ASY			
6		P022-036940	1	CASE, STARTER			
7	+	177227-42030	1	GUIDE, ROPE			
8	+	900565-00005	1	NUT	5		
9	+	P022-027980	1	DRUM, STARTER			
10	+	A525-000010	1	CAM PLATE	A543 081 735 01		
11	+	P022-008270	1	SPRING,DAMPER			
12	+	177220-42030	1	SPRING, REWIND			
13	+	177236-61830	1	SCREW			
14	+	P022-006800	1	ROPE, STARTER	3.0*880		
15	+	177228-44330	1	GRIP, STARTER			
20		V804-000060	4	BOLT, TORX 4	TB-4*16 10.9		
21		V804-000010	1	BOLT, TORX 4	TT-4*16 DG 10.9		
23		X502-000890	1	LABEL,ECHO			
24		X543-004320	1	LABEL,MODEL			

6. AIR CLEANER, CARBURETOR



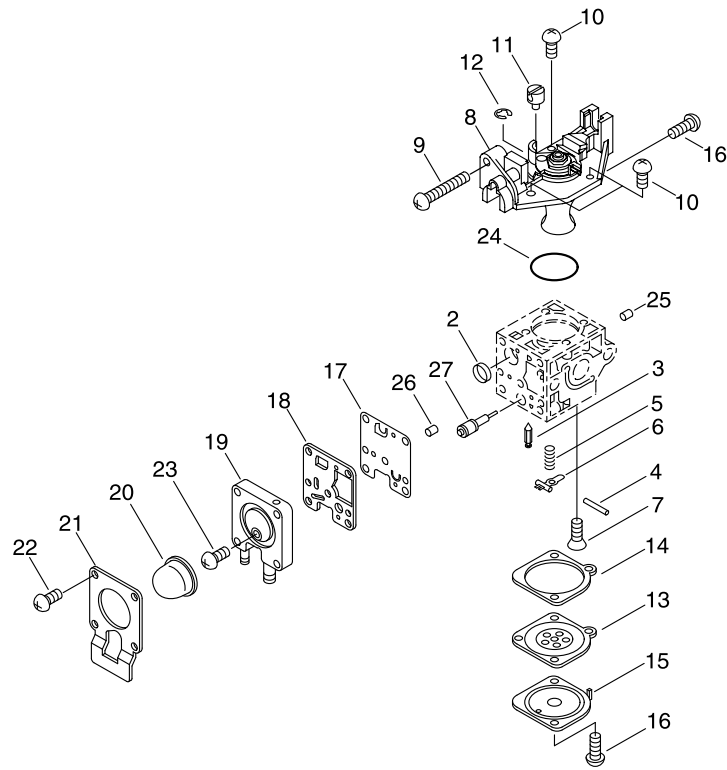
KEY	LV	PART NUMBER	Q'TY	DESCRIPTION	REMARKS	NOTE1	NOTE2
1		A021-001673	1	CARBURETOR,DIAPHRAGM			
2		V490-001100	1	CLIP			
3		900515-00006	1	NUT, FLANGE 6	6		
4		900502-00006	1	NUT 6 (3N)	3N6		
5		V103-001401	1	GASKET,INTAKE			
6		A200-000940	1	INSULATOR, INTAKE			
7		V103-001730	1	GASKET,INTAKE			
8		A209-000610	1	PLATE, INSULATOR			
9		V103-001740	1	GASKET,INTAKE			
10		V805-000170	2	BOLT, TORX 5	TB-5*25 10.9		
11		P021-046090	1	CASE,CLEANER			
12		A244-000070	1	PLATE,PREVENT			
13		V805-000100	2	BOLT, TORX 5	TB-5*65 10.9		
14		P021-046100	1	LID,CLEANER ASY			
15		V299-000410	1	KNOB			
16		A226-001410	1	ELEMENT,AIR FILTER			
18		890332-52730	1	LABEL, CHOKE			

7. CARBURETOR



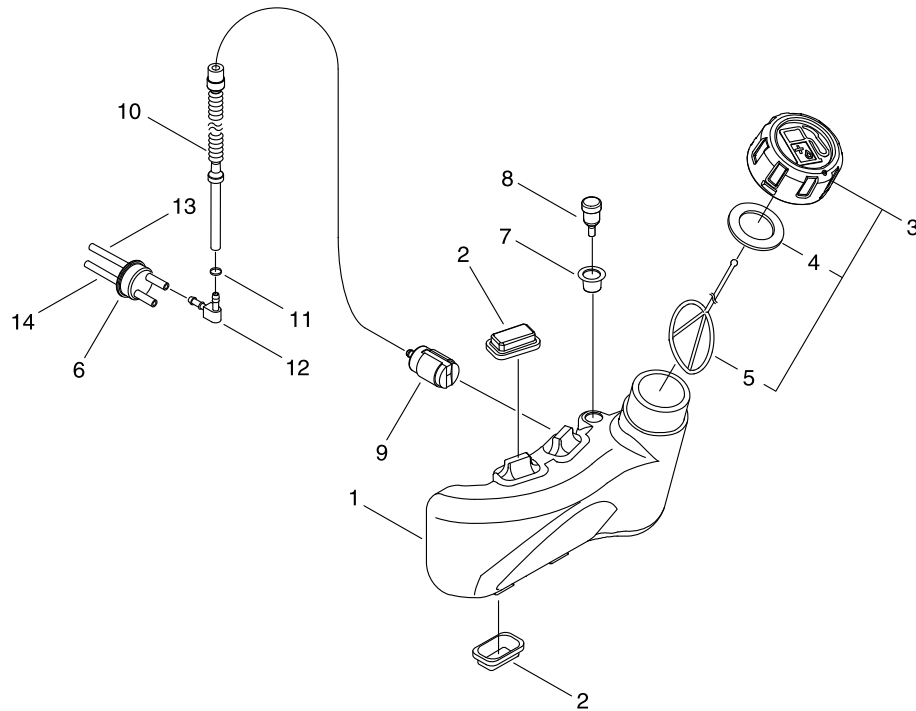
KEY	LV	PART NUMBER	Q'TY	DESCRIPTION	REMARKS	NOTE1	NOTE2
		A021-001673	1	CARBURETOR,DIAPHRAGM			
2	+	P005-000010	1	STRAINER			
3	+	125337-08260	1	VALVE, INLET NEEDLE			
4	+	125338-13930	1	PIN, METERING ARM			
5	+	P005-000940	1	SPRING, METER. LEVER			
6	+	125323-08260	1	ARM, VALVE			
7	+	125339-42030	1	SCREW			
8	+	P005-002050	1	COVER ASY, ROTOR			
9	+	P005-000100	1	SCREW,THROTTLEADJUST			
10	+	125344-13931	3	SCREW			
11	+	P005-002200	1	POST			
12	+	P005-000190	1	E-RING			
13	+	P005-002230	1	DIAPHRAGM ,METERING			
14	+	P005-000200	1	GASKET, METERING			
15	+	125342-52130	1	COVER, DIAPHRAGM			
16	+	125344-52130	3	SCREW			
17	+	P005-000510	1	DIAPHRAGM, PUMP			
18	+	P005-000520	1	GASKET, PUMP			
19	+	P005-002480	1	BASE ASY,PRIMER			
20	+	P005-003110	1	PUMP, PRIMER			
21	+	P005-000250	1	RETAINER			
22	+	P005-001900	4	SCREW			
23	+	P005-000270	1	SCREW			
24	+	P005-000280	1	O-RING			
25	+	P005-001000	1	ROLLER, GUIDE			

7. CARBURETOR



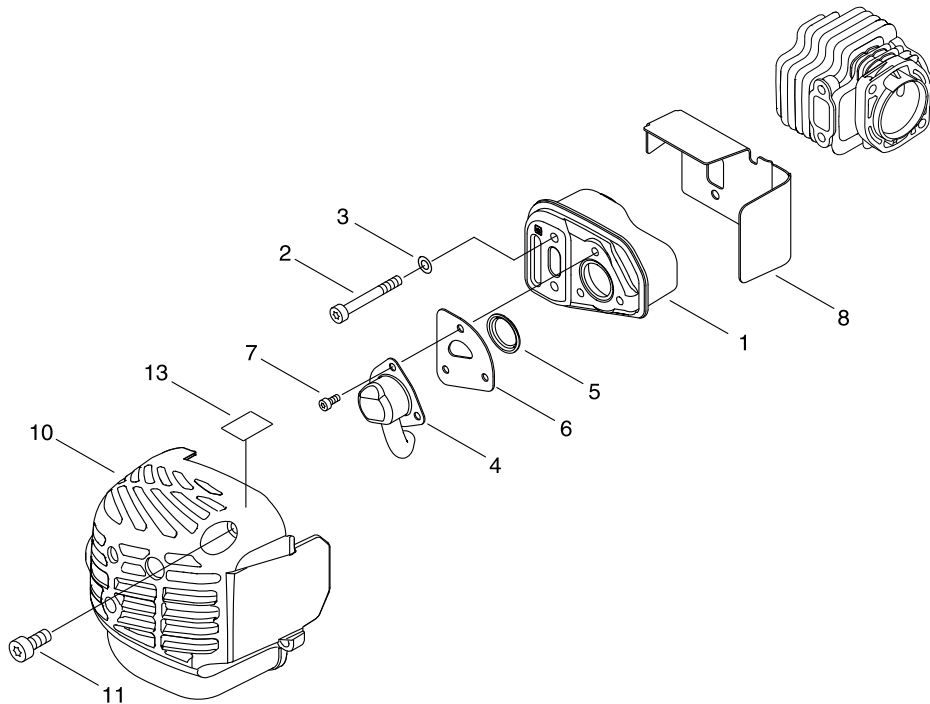
KEY	LV	PART NUMBER	Q'TY	DESCRIPTION	REMARKS	NOTE1	NOTE2
26	+	P005-001250	1	RETAINER,PLUG BALL			
27	+	P005-001260	1	SCREW,MAINN MIXTURE			

8. FUEL TANK



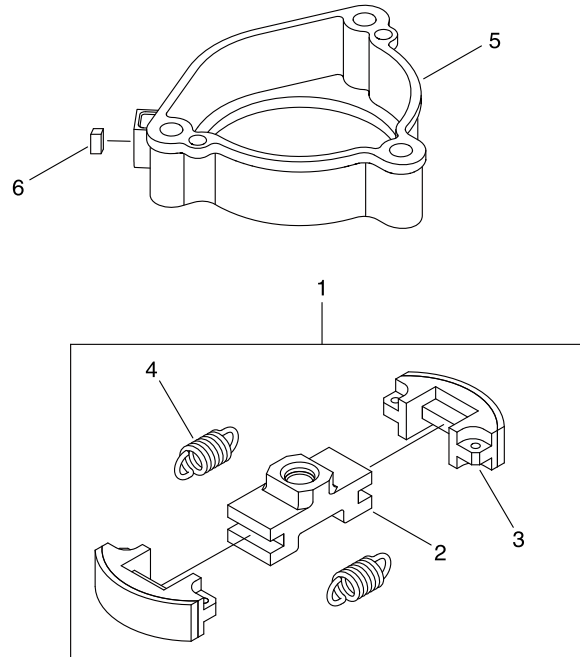
KEY	LV	PART NUMBER	Q'TY	DESCRIPTION	REMARKS	NOTE1	NOTE2
1		A350-001880	1	TANK, FUEL			
2		V420-004490	4	CUSHION			
3		P021-046080	1	FUEL CAP ASY			
4	+	131016-55830	1	GASKET, FUEL CAP			
5	+	A365-000060	1	CONNECTOR,CAP	L=123		
6		132115-44330	1	GROMMET			
7		V137-000000	1	GROMMET,FUEL			
8		A356-000031	1	VALVE,CHECK			
9		131205-07321	1	STRAINER, FUEL			
10		V471-003510	1	PIPE	L=125		
11		V490-000500	1	CLIP			
12		V186-000270	1	JOINT,PIPE			
13		V471-003500	1	PIPE	L=92		
14		132010-49730	1	PIPE 3*6*85	3*6*85	YL	

9. MUFFLER



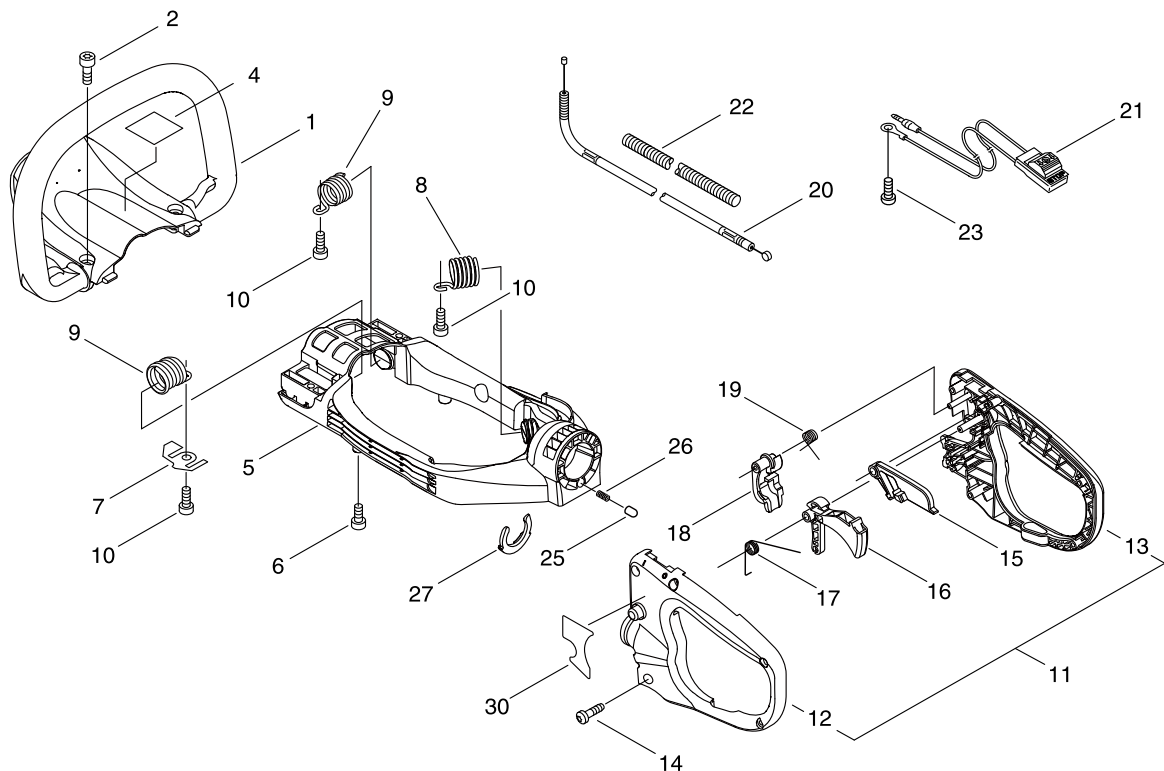
KEY	LV	PART NUMBER	Q'TY	DESCRIPTION	REMARKS	NOTE1	NOTE2
1		A300-001860	1	MUFFLER, EXHAUST			
2		V805-000190	2	BOLT, TORX 5	TB-5*55 12.9		
3		900603-00005	2	WASHER 5	5.5*12*0.8		
4		A313-001990	1	GUIDE, EXHAUST			
5		A310-000470	1	SCREEN, ARRESTOR			
6		V104-002180	1	GASKET, EXHAUST			
7		V804-000030	3	BOLT, TORX 4	TB-4*8 10.9		
8		V104-002190	1	GASKET, EXHAUST			
10		A320-001120	1	COVER, MUFFLER			
11		V805-000320	2	BOLT, TORX 5			
13		X505-002310	1	LABEL, CAUTION	HOT CAUTION		

10. CLUTCH



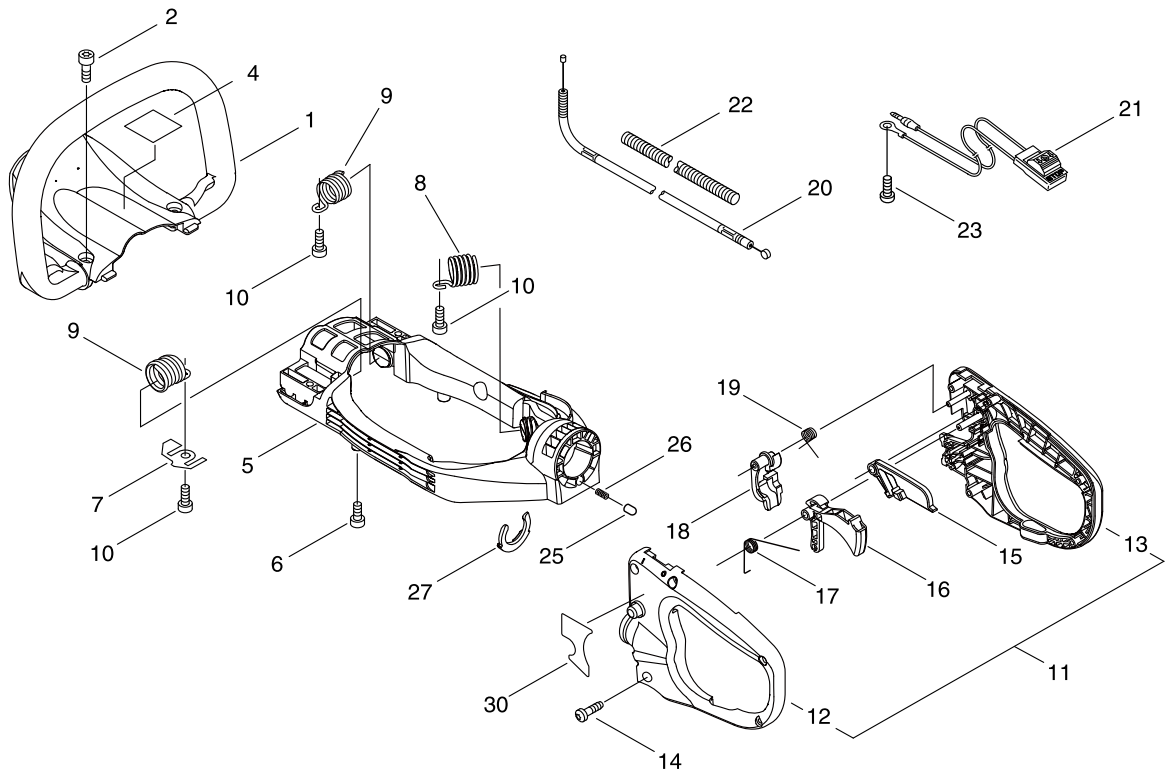
KEY	LV	PART NUMBER	Q'TY	DESCRIPTION	REMARKS	NOTE1	NOTE2
1		A056-000750	1	CLUTCH ASY			
2	+	A552-000400	1	HUB, CLUTCH			
3	+	P021-046120	1	CLUTCH SHOE SET			
4	+	A566-000000	2	SPRING, CLUTCH			
5		A570-000320	1	CASE, CLUTCH			
6		900565-00005	1	NUT	5		

11. HANDLE



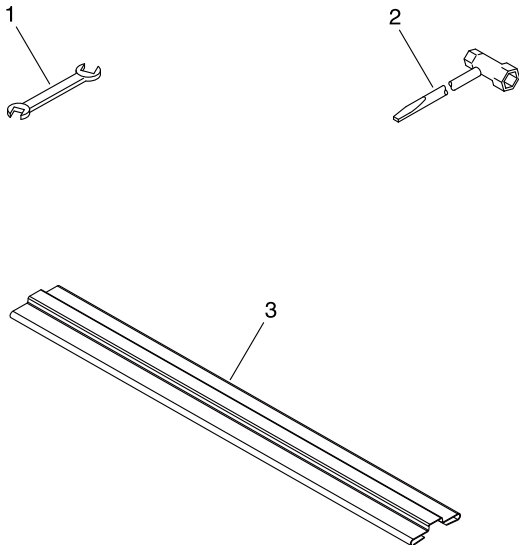
KEY	LV	PART NUMBER	Q'TY	DESCRIPTION	REMARKS	NOTE1	NOTE2
1		C400-000480	1	HANDLE, FRONT			
2		V805-000010	2	BOLT, TORX 5	TT-5*20 DG 10.9		
4		X505-002030	1	LABEL, CAUTION	37*35		
5		C600-001590	1	FRAME			
6		V805-000240	2	BOLT, TORX 5	TT-5*12 DG 10.9		
7		V150-003890	1	PLATE, EYE			
8		V450-001910	2	SPRING, COMPRESSION			
9		V450-001920	2	SPRING, COMPRESSION			
10		V805-000150	4	BOLT, TORX 5	TB-5*16 10.9		
11		P021-046150	1	HANDLE SET, REAR			
12	+	P021-046140	1	REAR HANDLE ASY			
13	+	C410-001350	1	HANDLE, REAR			
14		V804-000010	5	BOLT, TORX 4	TT-4*16 DG 10.9		
15		C460-000090	1	LOCKOUT, THROTTLE			
16		C450-000250	1	CONTROL, THROTTLE			
17		V452-000300	1	SPRING, TORSION			
18		C427-000020	1	STOPPER, HANDLE			
19		V452-000310	1	SPRING, TORSION			
20		V430-004700	1	CABLE, BOWDEN			
21		P021-046160	1	SWITCH, ON OFF			
22		178127-43130	1	TUBE	7*230		
23		V804-000040	1	BOLT, TORX 4	TB-4*10 10.9		

11. HANDLE

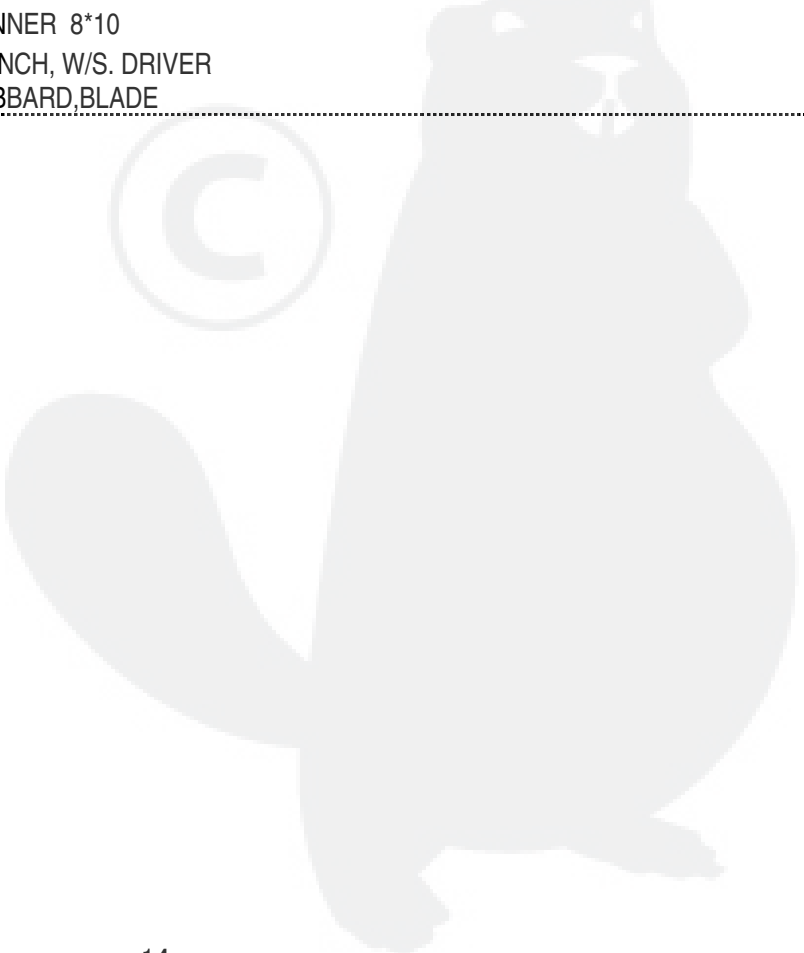


KEY	LV	PART NUMBER	Q'TY	DESCRIPTION	REMARKS	NOTE1	NOTE2
25		605611-13360	1	PIN			
26		V450-000630	1	SPRING, COMPRESSION	5.1/3.5		
27		C423-000980	1	FIXTURE, HANDLE			
30		X532-000740	1	LABEL, OPERATION			

12. ACCESSORIES



KEY	LV	PART NUMBER	Q'TY	DESCRIPTION	REMARKS	NOTE1	NOTE2
1		895112-00330	1	SPANNER 8*10			
2		895410-03930	1	WRENCH, W/S. DRIVER			
3		X495-000550	1	SCABBARD, BLADE			

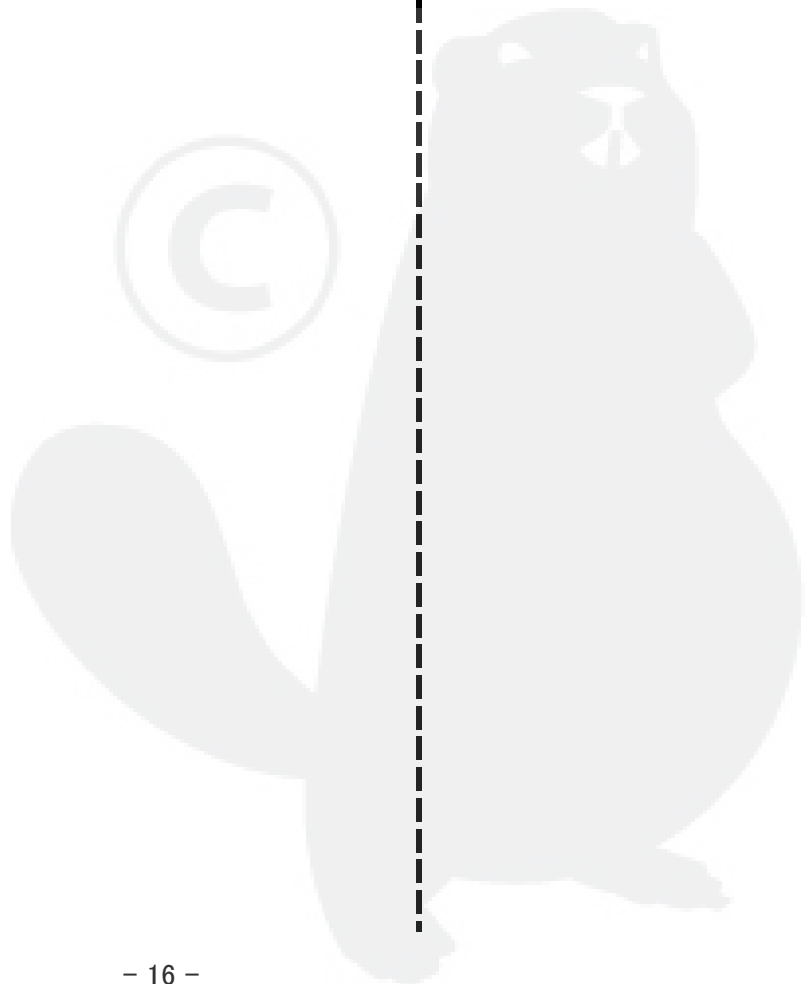
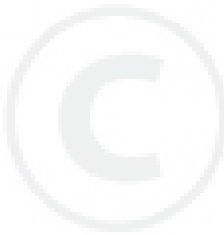


Index

Patrs Number	Key No.	Patrs Number	Key No.	Patrs Number	Key No.
100014-08960	3 - 10	A051-002372	5 - 5	P005-000940	7 - 5
100015-04630	3 - 8	A056-000750	10 - 1	P005-001000	7 - 25
100113-05930	3 - 9	A101-000090	3 - 6	P005-001250	7 - 26
100142-12330	4 - 4	A130-001960	3 - 2	P005-001260	7 - 27
100212-61830	3 - 16	A160-002940	5 - 1	P005-001900	7 - 22
100213-61830	3 - 14	A172-002610	5 - 3	P005-002050	7 - 8
125323-08260	7 - 6	A200-000940	6 - 6	P005-002200	7 - 11
125337-08260	7 - 3	A209-000610	6 - 8	P005-002230	7 - 13
125338-13930	7 - 4	A226-001410	6 - 16	P005-002480	7 - 19
125339-42030	7 - 7	A244-000070	6 - 12	P005-003110	7 - 20
125342-52130	7 - 15	A300-001860	9 - 1	P021-013070	1 - 1
125344-13931	7 - 10	A310-000470	9 - 5	P021-037930	3 - 5
125344-52130	7 - 16	A313-001990	9 - 4	P021-046080	8 - 3
131016-55830	8 - 4	A313-002000	1 - 17	P021-046090	6 - 11
131205-07321	8 - 9	A319-000510	1 - 18	P021-046100	6 - 14
131911-03460	4 - 8	A320-001120	9 - 10	P021-046110	3 - 11
132010-49730	8 - 14	A350-001880	8 - 1	P021-046120	10 - 3
132115-44330	8 - 6	A356-000031	8 - 8	P021-046140	11 - 12
177214-21860	2 - 8	A365-000060	8 - 5	P021-046150	11 - 11
177220-42030	5 - 12	A409-001120	4 - 1	P021-046160	11 - 21
177227-42030	5 - 7	A411-001490	4 - 2	P022-006800	5 - 14
177228-44330	5 - 15	A425-000000	4 - 15	P022-008270	5 - 11
177236-61830	5 - 13	A426-000010	4 - 17	P022-027980	5 - 9
178070-10860	4 - 9	A427-000013	4 - 16	P022-036940	5 - 6
178127-43130	11 - 22	A514-000260	4 - 6	V100-000720	3 - 3
433022-06460	2 - 12	A525-000010	5 - 10	V102-000240	3 - 17
605611-13360	11 - 25	A552-000400	10 - 2	V103-001401	6 - 5
880110-10860	1 - 2	A556-001630	1 - 10	V103-001730	6 - 7
890332-52730	6 - 18	A566-000000	10 - 4	V103-001740	6 - 9
895112-00330	12 - 1	A570-000320	10 - 5	V104-002180	9 - 6
895410-03930	12 - 2	C400-000480	11 - 1	V104-002190	9 - 8
900502-00006	6 - 4	C410-001350	11 - 13	V110-000060	1 - 7
900515-00006	6 - 3	C423-000980	11 - 27	V135-000150	4 - 13
900565-00005	5 - 8	C427-000020	11 - 18	V137-000000	8 - 7
900565-00005	10 - 6	C450-000250	11 - 16	V150-001800	2 - 5
900603-00005	4 - 7	C460-000090	11 - 15	V150-001810	1 - 6
900603-00005	9 - 3	C532-000170	1 - 21	V150-003890	11 - 7
900701-00014	1 - 14	C539-000020	1 - 5	V186-000270	8 - 12
900702-00026	3 - 13	C600-001590	11 - 5	V203-000080	4 - 10
900702-00035	1 - 15	C628-000160	1 - 4	V204-000510	2 - 9
900810-36000	3 - 12	P005-000010	7 - 2	V299-000410	6 - 15
900810-36000	3 - 15	P005-000100	7 - 9	V304-000240	2 - 10
900810-36202	1 - 13	P005-000190	7 - 12	V353-000250	2 - 6
900812-06202	1 - 12	P005-000200	7 - 14	V420-004490	8 - 2
92105-06000	4 - 3	P005-000250	7 - 21	V430-004700	11 - 20
92108-05000	2 - 13	P005-000270	7 - 23	V450-000630	11 - 26
A011-001360	3 - 1	P005-000280	7 - 24	V450-001910	11 - 8
A021-001673	6 - 1	P005-000510	7 - 17	V450-001920	11 - 9
A021-001673	7 -	P005-000520	7 - 18	V452-000300	11 - 17

Index

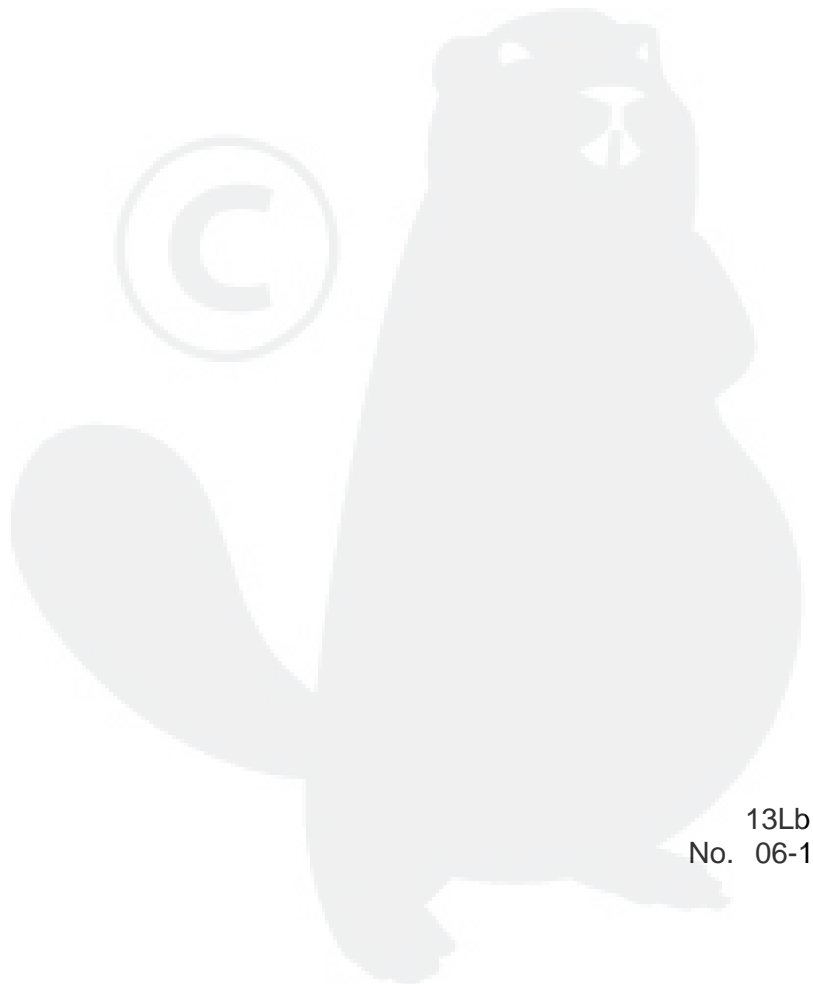
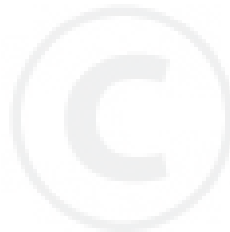
Patrs Number	Key No.	Patrs Number	Key No.	Patrs Number	Key No.
V452-000310	11 - 19				
V452-001370	4 - 11				
V471-003500	8 - 13				
V471-003510	8 - 10				
V485-001220	4 - 12				
V490-000500	8 - 11				
V490-001100	6 - 2				
V541-000140	1 - 16				
V606-000020	3 - 7				
V650-000300	1 - 11				
V804-000010	5 - 21				
V804-000010	11 - 14				
V804-000030	9 - 7				
V804-000040	1 - 20				
V804-000040	11 - 23				
V804-000060	1 - 8				
V804-000060	4 - 5				
V804-000060	5 - 20				
V805-000010	11 - 2				
V805-000100	6 - 13				
V805-000130	1 - 19				
V805-000150	5 - 2				
V805-000150	11 - 10				
V805-000170	2 - 7				
V805-000170	6 - 10				
V805-000190	9 - 2				
V805-000210	3 - 4				
V805-000220	3 - 18				
V805-000240	11 - 6				
V805-000320	9 - 11				
V806-000140	1 - 3				
X041-000490	2 - 1				
X412-000640	2 - 2				
X425-000840	2 - 3				
X425-000900	2 - 4				
X495-000550	12 - 3				
X502-000890	5 - 23				
X505-002030	11 - 4				
X505-002310	9 - 13				
X532-000740	11 - 30				
X543-004320	5 - 24				



YAMABIKO CORPORATION

7-2 SUEHIROCHO 1-CHOME, OHME, TOKYO 198-8760, JAPAN
PHONE: 81-428-32-6118. FAX: 81-428-32-6145.

ECHO®



13Lb
No. 06-116